



## 7/16 DIN Male Adaptor—4.3/10 Female

**McGill Part No:** 716M-4.310F-ADPT

McGill Microwave are a leading supplier of in-series and inter-series precision RF adaptors, covering the full frequency range DC-110 GHz.

All interface types and style are available from Ultra High Performance, Precision Metrology grade to general purpose use including Hermetically Sealed versions and high corrosion resistance Stainless Steel designs.

The McGill Microwave Systems 7/16 DIN Male—4.3/10 Female Adaptor (716M-4.310F-ADPT) provides the ideal solution to join both an 7/16 DIN Female and 4.3/10 Male connector and pass RF/Microwave frequencies to 3 GHz, whilst offering an industry leading low VSWR performance of 1.2:1 Maximum.

Electrical Specifications	
Item	Value
Impedance	50 Ω
Frequency Range	DC-3GHz
VSWR	≤1.2 (DG-3GHz)
Withstand Voltage	2000V rms
Working Voltage	1700V rms
Insulation Resistance	>10000MΩ

Mechanical Specifications	
Item	Value
Temperature Range	-55 / +155 °C
Mating Cycles	>500
Connector A	7/16 DIN Male
Connector B	4.3/10 Female

Material Specifications		
Item	Base Material	Plating
Body & Coupling Nut	Brass	Alballoy (Tri Metal)
Centre Conductor	Phosphor Bronze	Silver
Gasket	Silicone Rubber	N/A
Insulator	PTFE	N/A

### Contact us for more details

Unit 5, Block 9 Mitchelston Ind Est, Kirkcaldy, Fife, KY1 3PE, UK

Email: [contact@mcgillmicrowave.com](mailto:contact@mcgillmicrowave.com)

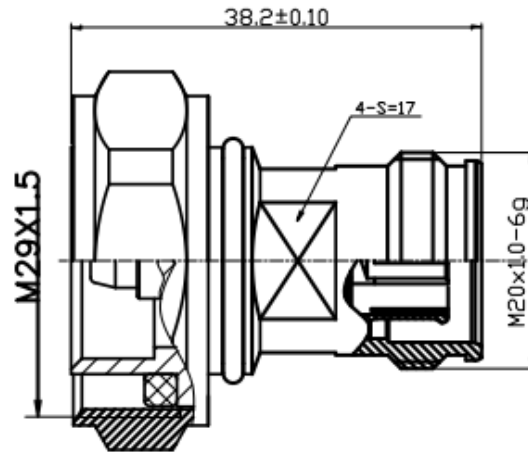
Tel: UK +44 (0)1592 655428





## 4.3/10 Male—N Female Adaptor

McGill Part No: 4310M-NF-ADPT



Interface Standards
DIN 47231
IEC 60169-11

### Contact us for more details

Unit 5, Block 9 Mitchelston Ind Est, Kirkcaldy, Fife, KY1 3PE, UK

Email: [contact@mcgillmicrowave.com](mailto:contact@mcgillmicrowave.com)

Tel: UK +44 (0)1592 655428

