



SMA Female to 7/16 DIN Male Adapter

RF Adapters Technical Data Sheet

PE91175

Configuration

- SMA Female Connector 1
- 7/16 DIN Male Connector 2
- 50 Ohms
- Straight Body Geometry

Features

- Max VSWR of 1.25:1 up to 6 GHz
- Gold Plated Beryllium Copper Contact
- 1.3µm min Gold Contact Plating

Applications

- Allows Connection Between Series
- General Purpose Test

Description

Pasternack's PE91175 SMA female to 7/16 DIN male adapter is part of our full line of RF components available for same-day shipping. The SMA connector mates mechanically with commercially available 3.5mm and 2.92mm (K) connectors. Our SMA to 7/16 DIN adapter has a female to male gender configuration. PE91175 SMA female to 7/16 DIN male adapter operates to 6 GHz. The Pasternack RF adapter provides excellent VSWR of 1.25:1 maximum.

RF adapters are often used to enable connections between two connector types that would otherwise not mate. Certain adapter configurations can also be used to protect connectors on expensive equipment where the number of connect/disconnect cycles is high. An RF, microwave or millimeter wave adapter is connected to the equipment, and the commonly changed connection is made with the adapter which can be easily replaced when it wears out after high usage; such adapters are referred to as connector savers. Pasternack also offers bulkhead, panel mount, hermetically sealed, reverse polarity, and isolated ground adapter varieties to serve all of your RF, microwave and millimeter wave needs.

Electrical Specifications

Description	Minimum	Typical	Maximum	Units
Frequency Range	DC		6	GHz
VSWR			1.25:1	
Operating Voltage (AC)			335	Vrms
Dielectric Withstanding Voltage (AC)			1,000	Vrms

Performance by Frequency

Description	F1	F2	F3	F4	F5	Units
Frequency Range	DC to 3	3 to 6				GHz
VSWR, Max	1.15:1	1.25:1				

Electrical Specification Notes:
Values at 25°C, sea level.

Click the following link (or enter part number in "SEARCH" on website) to obtain additional part information including price, inventory and certifications: [SMA Female to 7/16 DIN Male Adapter PE91175](#)



SMA Female to 7/16 DIN Male Adapter

RF Adapters Technical Data Sheet

PE91175

Mechanical Specifications

Size

Length	1.56 in [39.62 mm]
Width	1.26 in [32 mm]
Weight	0.28 lbs [127.01 g]

Description	Connector 1	Connector 2
Type	SMA Female	7/16 DIN Male
Polarity	Standard	Standard
Hex Size		32 mm
Mating Torque	12 to 15 in-lbs [1.36 to 1.70 Nm]	

Material Specifications

Description	Connector 1		Connector 2	
	Material	Plating	Material	Plating
Type	SMA Female		7/16 DIN Male	
Contact	Beryllium Copper	Gold 1.3µm minimum	Beryllium Copper	Gold 1.3µm minimum
Insulation	PTFE		PTFE	
Outer Conductor	Passivated Stainless Steel			
Body			Brass	Tri-Metal 3µm minimum
Coupling Nut			Brass	Tri-Metal 3µm minimum

Environmental Specifications

Temperature

Operating Range	-45 to +120 deg C
-----------------	-------------------

Compliance Certifications (see [product page](#) for current document)

Plotted and Other Data

Notes:

Click the following link (or enter part number in "SEARCH" on website) to obtain additional part information including price, inventory and certifications: [SMA Female to 7/16 DIN Male Adapter PE91175](#)



SMA Female to 7/16 DIN Male Adapter

RF Adapters Technical Data Sheet

PE91175

SMA Female to 7/16 DIN Male Adapter from Pasternack Enterprises has same day shipment for domestic and International orders. Our RF, microwave and millimeter wave products maintain a 99% availability and are part of the broadest selection in the industry.

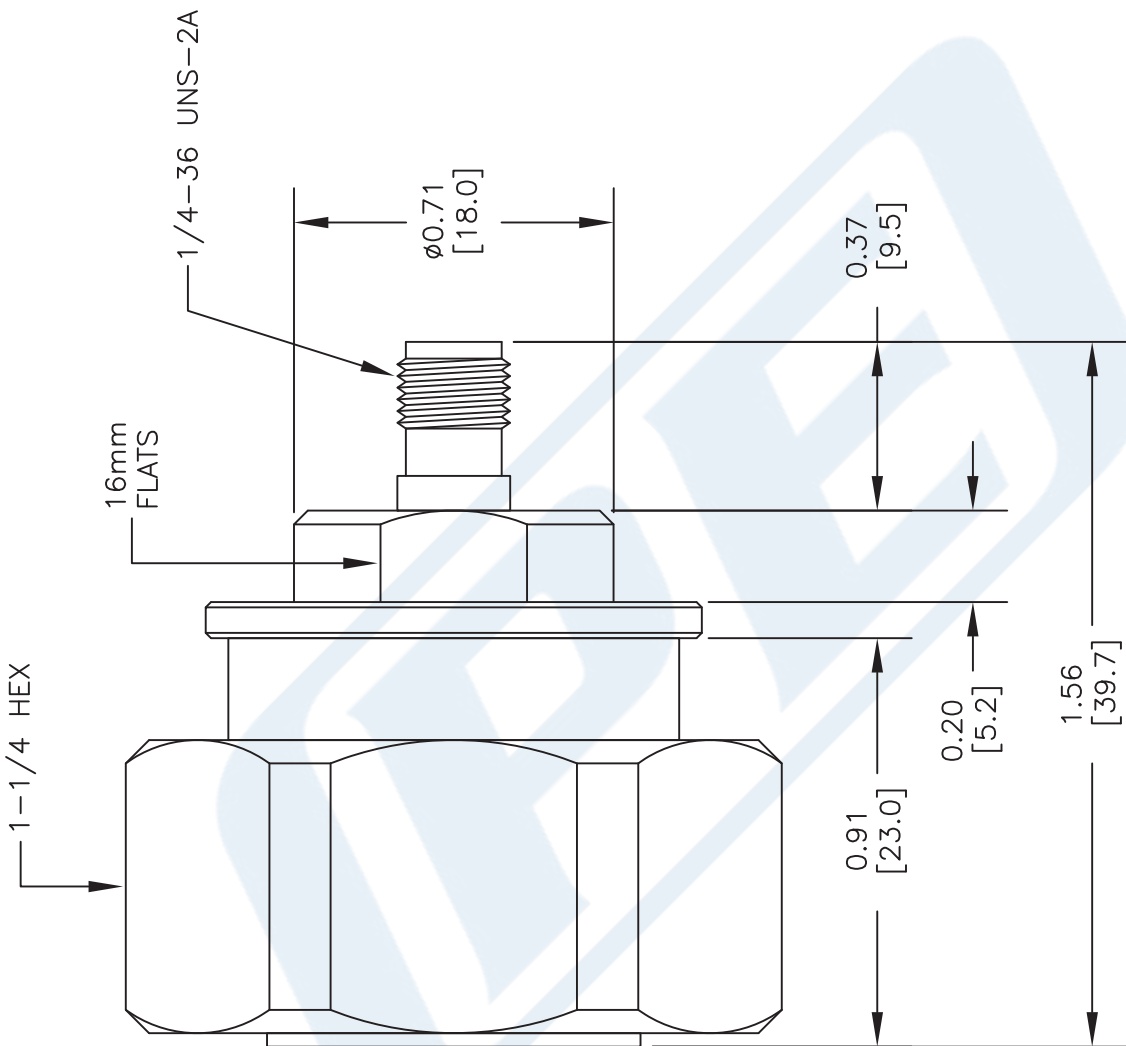
Click the following link (or enter part number in "SEARCH" on website) to obtain additional part information including price, inventory and certifications: [SMA Female to 7/16 DIN Male Adapter PE91175](#)

URL: <https://www.pasternack.com/sma-female-7-16-male-straight-adapter-pe91175-p.aspx>

The information contained in this document is accurate to the best of our knowledge and representative of the part described herein. It may be necessary to make modifications to the part and/or the documentation of the part, in order to implement improvements. Pasternack reserves the right to make such changes as required. Unless otherwise stated, all specifications are nominal. Pasternack does not make any representation or warranty regarding the suitability of the part described herein for any particular purpose, and Pasternack does not assume any liability arising out of the use of any part or documentation.

PE91175 CAD Drawing

SMA Female to 7/16 DIN Male Adapter



STANDARD TOLERANCES

.X ±0.2
 .XX ±0.1
 .XXX ±0.05

*STANDARD TOLERANCES APPLY ONLY TO DIMENSIONS IN INCHES



Pasternack Enterprises, Inc.
 P.O. Box 16759 | Irvine | CA | 92623
Phone: (949) 261-1920 | **Fax:** (949) 261-7451
Website: www.pasternack.com | **E-Mail:** sales@pasternack.com

DWG TITLE

PE91175

FSCM NO. 53919

CAD FILE 082816

SCALE N/A

SIZE A

41742

NOTES:
 1. UNLESS OTHERWISE SPECIFIED ALL DIMENSIONS ARE NOMINAL.
 2. ALL SPECIFICATIONS ARE SUBJECT TO CHANGE WITHOUT NOTICE AT ANY TIME.
 3. DIMENSIONS ARE IN INCHES [mm].