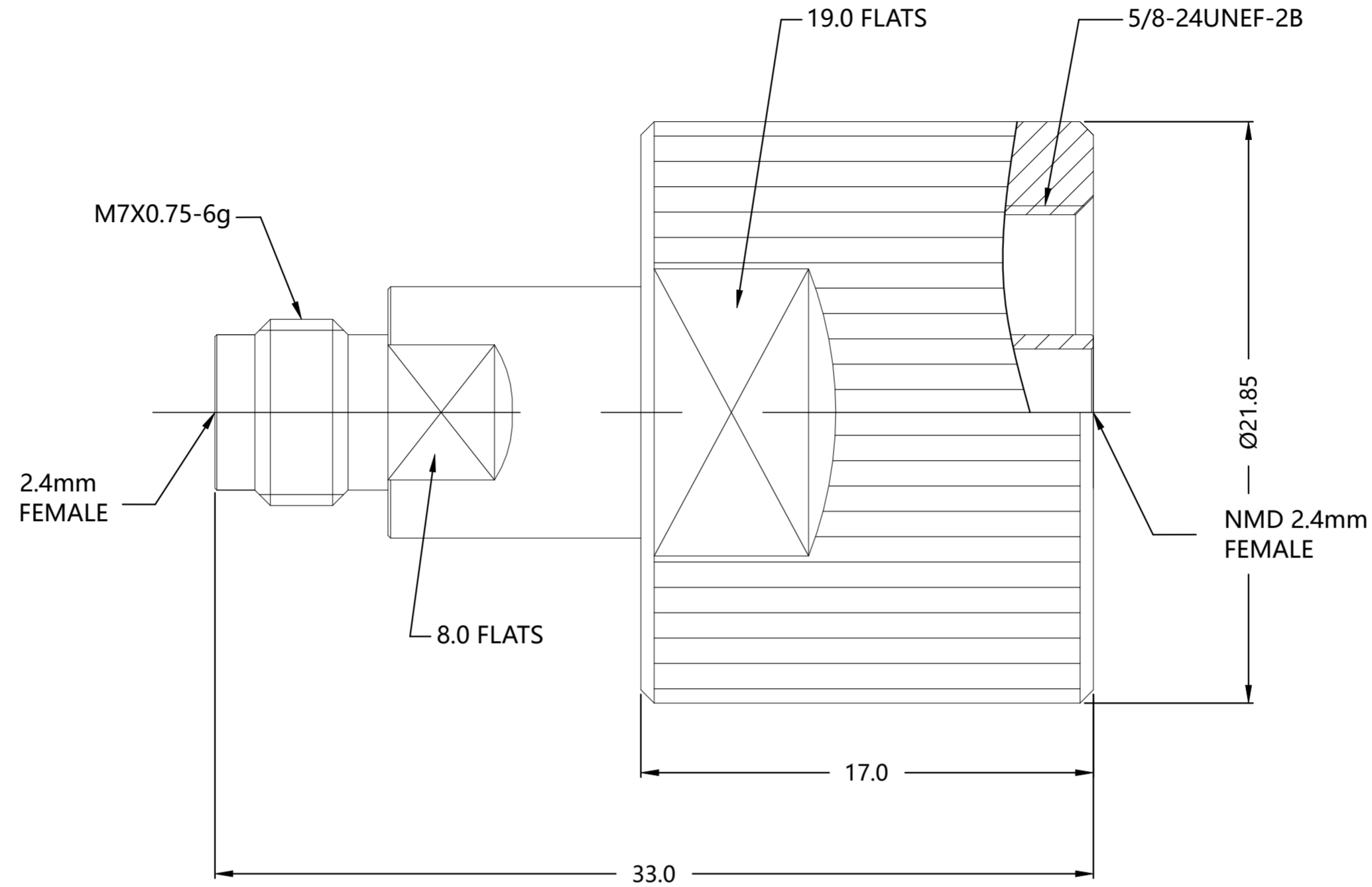


REVISIONS				
P	LTR	DESCRIPTION	DATE	APVD
A		ECN-23-235375;GTP	17OCT2023	TP WH



ELECTRICAL	MECHANICAL	ENVIRONMENTAL
Impedance (Ohm): <u>50</u> Frequency Range: <u>DC to 50GHz</u> Voltage Rating (Peak) @ Sea Level <u>175 V RMS</u> Insulation Resistance (MIN.) <u>5000 M ohms</u> Contact Resistance (mohms MAX) Center Contact <u>2.2</u> Outer Contact <u>0.15</u> Dielectric Withstand Voltage: <u>500 V RMS Max</u> Insertion Loss : <u><0.05√F(GHz) dB</u> VSWR: <u><1.3 @ DC ~ 50GHz</u>	Interface Dimension <u>2.4mm female to 2.4mm female</u> Force to Engage and Disengage Engage: <u>N/A</u> Disengage: <u>N/A</u> Center Contact Captivation Axial (lbs) <u>6 MIN</u> Radial (In/Oz) <u>N/A</u> Recommend Coupling Torque <u>N/A</u> Coupling Nut Retention Force <u>N/A</u> Cable Retention Axial (Lbs) <u>N/A</u> Mating cycles <u>500 cycles</u>	TEMPERATURE RANGE <u>-40 °C~+85 °C</u> ROHS <u>COMPLIANT</u>

1	CONTACT PIN	BERYLLIUM COPPER	PL.GOLD/COPPER
1	INSULATOR	PEI	N/A
1	BODY	STAINLESS STEEL	PASSIVATION
2441449-1	PART NUMBER	MATERIAL	PLATING

THIS DRAWING IS A CONTROLLED DOCUMENT.		DWN	ED	19JUN2023	TE Connectivity
		CHK	WH	19JUN2023	
		APVD	WH	19JUN2023	
		PRODUCT SPEC			
DIMENSIONS: mm		TOLERANCES UNLESS OTHERWISE SPECIFIED:		NAME 2.4mm FEMALE TO 2.4mm FEMALE STR NMD ADAPTOR,50 OHM	
		0 PLC	±	-	SIZE
		1 PLC	±	0.3	CAGE CODE
		2 PLC	±	0.2	DRAWING NO
		3 PLC	±	0.1	A2 00779
		4 PLC	±	-	C=2441449
		ANGLES	±	5°	RESTRICTED TO
MATERIAL		FINISH		WEIGHT	-
				CUSTOMER DRAWING	SCALE 1:1
				SHEET 1 of 1	REV A