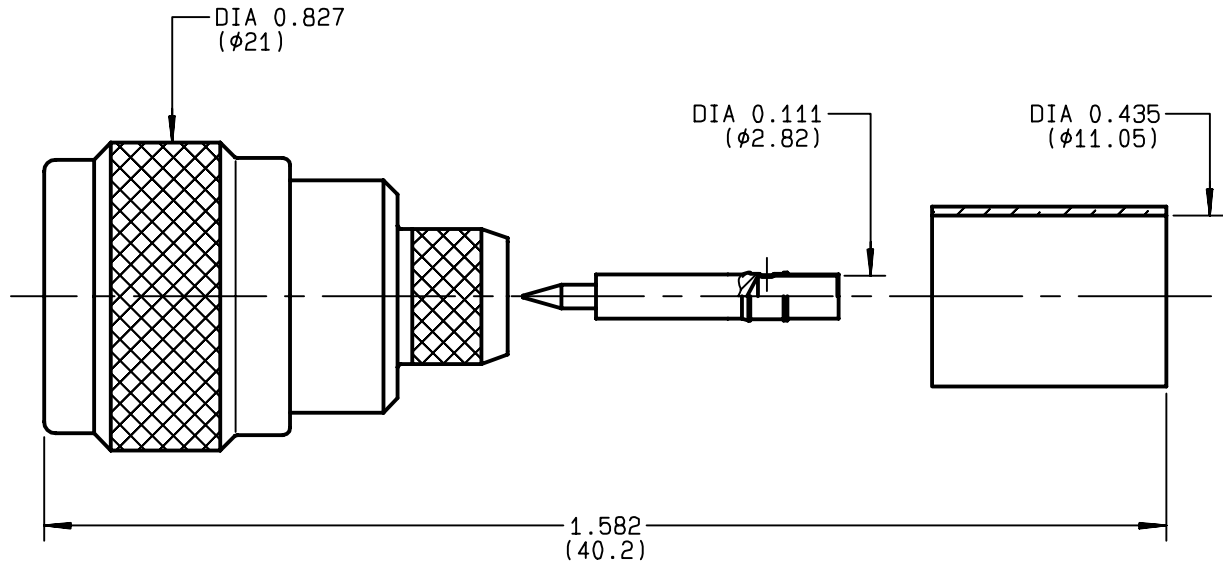


**STRAIGHT PLUG CRIMP TYPE  
CABLE 10,3/50 LMR400**

**R161.075.060**  
**SERIES N**



|                                 |                                  |  |
|---------------------------------|----------------------------------|--|
| NOMINAL IMPEDANCE               | <b>50</b> Ω                      | CABLES : <b>LMR 400</b><br><b>LMR 400 FR</b> |
| FREQUENCY RANGE                 | <b>0-11</b> GHz                  |  |
| TEMPERATURE RATING              | <b>-55/+155</b> °C               |  |
| V.S.W.R                         | <b>1.30</b> + x F(GHz)Maxi       |  |
| RF INSERTION LOSS               | <b>0.048</b> √F(GHz) dB Maxi     |  |
| VOLTAGE RATING                  | <b>1400</b> Veff Maxi            |  |
| DIELECTRIC WITHSTANDING VOLTAGE | <b>2500</b> Veff Mini            |  |
| INSULATION RESISTANCE           | <b>5000</b> MΩMini               |  |
| HERMETIC SEAL                   | <b>NA</b> Atm.cm <sup>3</sup> /s |  |
| LEAKAGE (pressurized only)      | <b>NA</b>                        |  |
| MECHANICAL DURABILITY           | <b>500</b> Cycles                | OTHERS CHARACTERISTICS                       |
| WEIGHT                          | <b>35.9</b> gr                   | CABLE RETENTION <b>300</b> N Mini            |
| SPECIFICATION                   |                                  | CENTER CONTACT RETENTION                     |
|                                 |                                  | Axial force - mating end <b>68</b> N Mini    |
|                                 |                                  | Axial force - opposite end <b>68</b> N Mini  |
|                                 |                                  | Torque <b>NA</b> cm.N Mini                   |
|                                 |                                  | RECOMMENDED TORQUES                          |
|                                 |                                  | Mating <b>130</b> cm.N                       |
|                                 |                                  | Panel nut <b>NA</b> cm.N                     |
|                                 |                                  | Clamp nut <b>NA</b> cm.N                     |

| CONNECTOR PARTS | MATERIALS        | FINISH                 | (all values are given )<br>in micrometers |
|-----------------|------------------|------------------------|---|
| BODY            | BRASS            | BBR 2                  |   |
| OUTER CONTACT   | BRASS            | BBR 2                  |   |
| CENTER CONTACT  | BERYLLIUM COPPER | GOLD 0.5 OVER NICKEL 2 |   |
| INSULATOR       | PTFE             | -                      |   |
| GASKET          | SILICONE RUBBER  | -                      |   |
| OTHERS PIECES   | BRASS            | BBR 2                  |   |

|                |                   |                  |
|----------------|-------------------|------------------|
| ISSUE          | CREATION DATE     | FILE PART-NUMBER |
| <b>9828A01</b> | <b>28/01/1997</b> | <b>EPC 96-07</b> |



**RADIALL**®

QUERIN

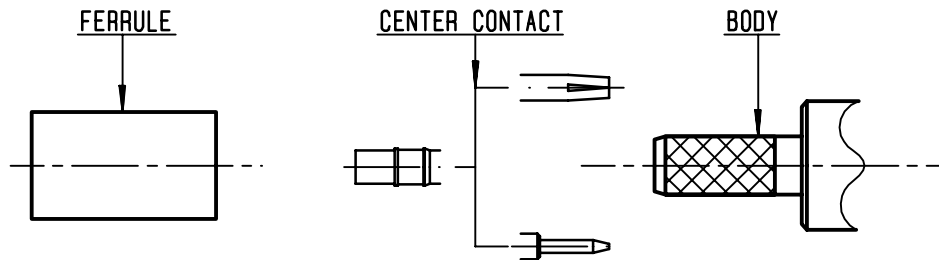
The information given here is subject to change without notice.  
Design changes may be in order to improve the product .

*Connect to the future*



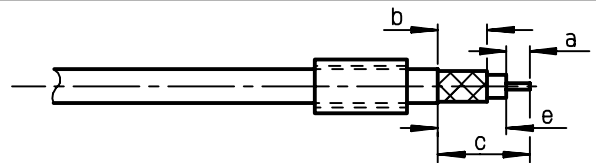
**R161.075.060**

ISSUE **9828A01** SERIES **N**



①

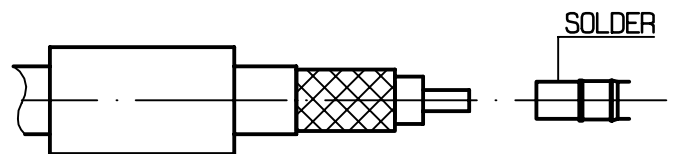
Slide onto the cable the ferrule  
Strip the cable .  
-  
-



| Stripping | a     | b     | c     | d | e     |
|-----------|-------|-------|-------|---|-------|
| inch      | 0.197 | 0.354 | 0.591 | 0 | 0.394 |
| mm        | 5     | 9     | 15    |   | 10    |

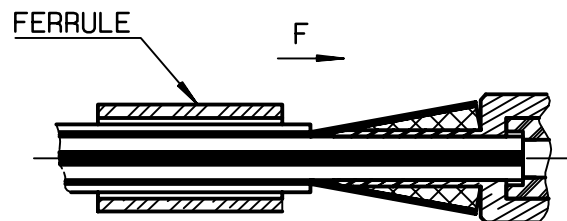
②

Slide on centre contact until it bottoms against cable dielectrique .  
Solder the center contact .  
-  
-



③

Fan the braid .  
Slide cable dielectrique into the body while gently ginding the braid over the knurl  
Push until the dielectrique clicks into position .  
Slide ferrule over braid in direction F .



④

Crimp the ferrule with crimping tool R 282 231 000 ( Hex. : .415 ) or crimping tool R282 293 000 ( M22520/5-01 ) + dies R282 235 116 ( Y 116 DANIELS ).  
Cut the excess of braid .  
-  
-

