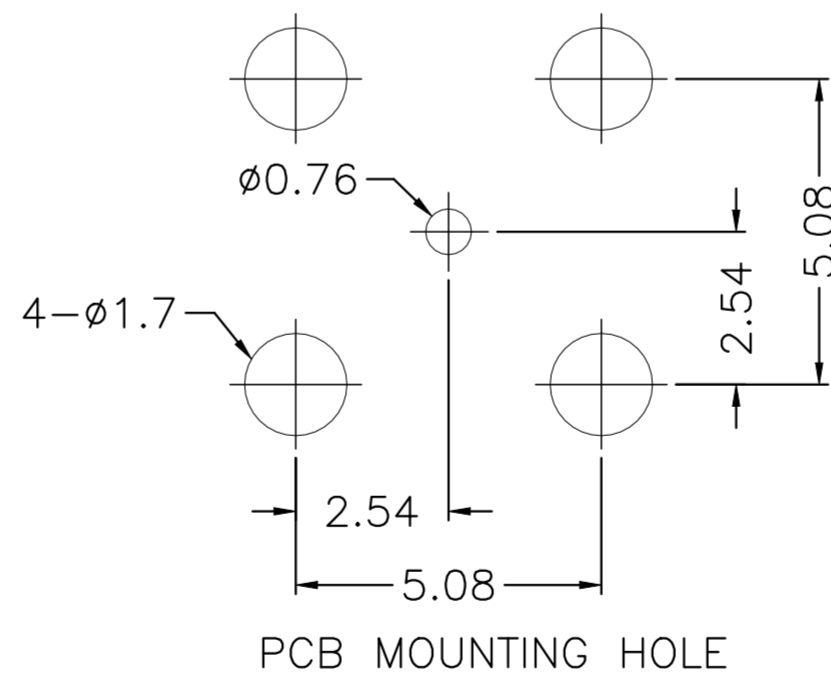
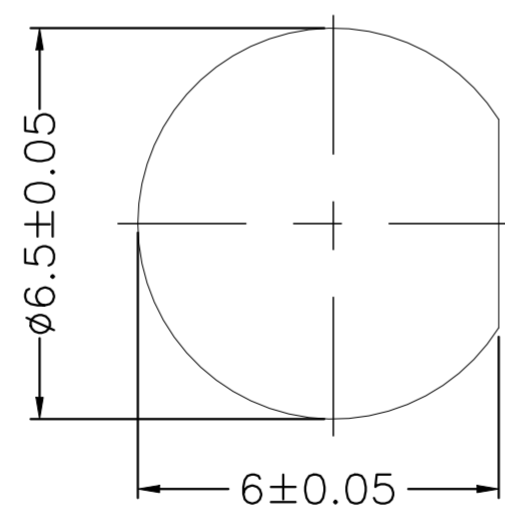
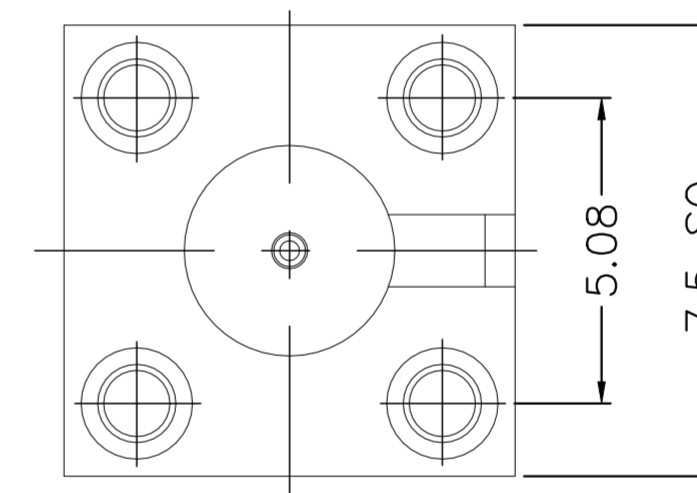
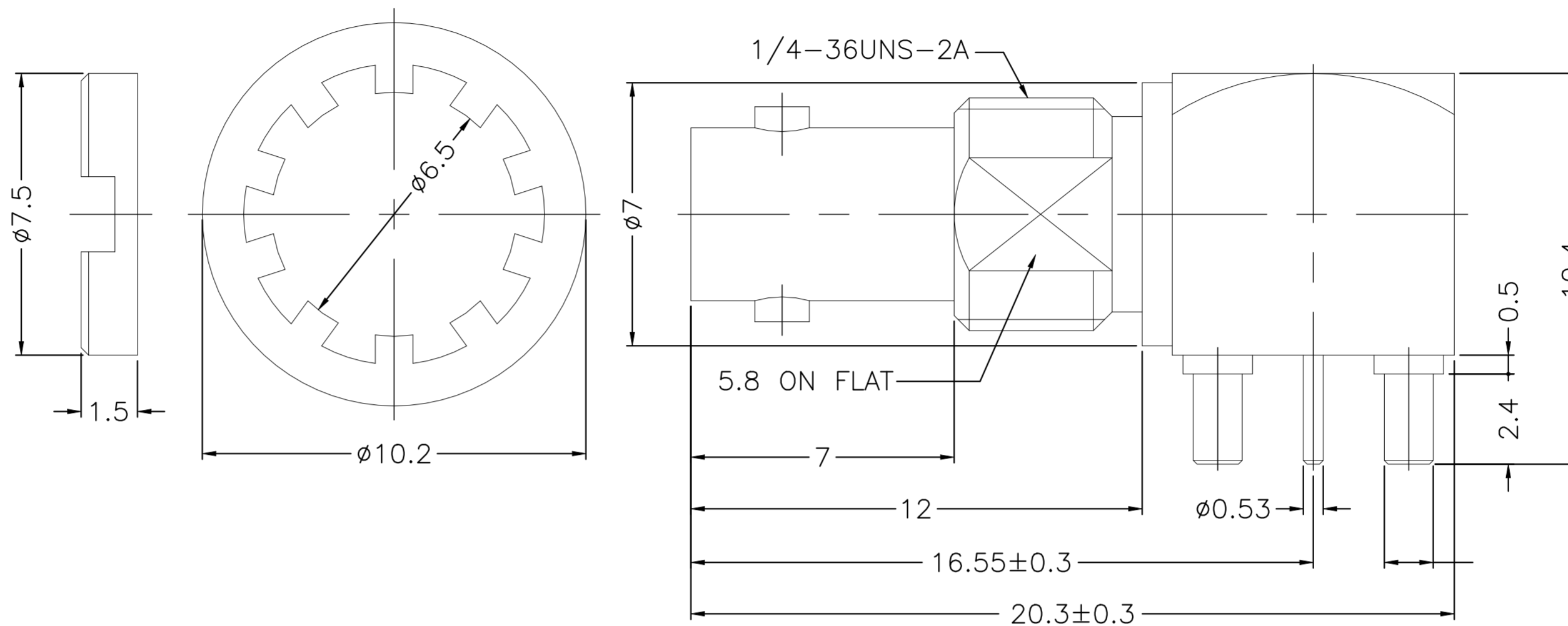


REVISIONS					
P	LTR	DESCRIPTION	DATE	DWN	APVD
A		GTP(ECN-23-229278)	02SEP2023	ED	WH



NOTES:

- 1 PACK IN ACCORDANCE WITH TE SPEC 107-3275;
- 2 ALL DIMENSIONS ARE NOMINAL FOR REFERENCE ONLY UNLESS OTHERWISE STATED;
- 3 ELECTRICAL CHARACTERISTICS :
 FREQUENCY RANGE : DC-12GHz
 NOMINAL IMPEDANCE : 75 OHMS
 INSULATION RESISTANCE : 1000 MOHMS
 WORKING VOLTAGE : 335 VRMS MAX
 DIELECTRIC WITHSTANDING VOLTAGE : 1000 VOLTS MAX
 Return Loss : 17dB MAX (DC-12GHz)
 CONTACT RESISTANCE :
 CENTER CONTACT : 5 mOHMS MAX
 OUTER CONTACT : 2.5 mOHMS MAX;
- 4 MECHANICAL CHARACTERISTICS :
 DURABILITY : 500 CYCLES;
- 5 TEMPERATURE RANGE: -55°-+125°;
- 6 RoHS: COMPLIANT;
- 7 MAX. PANEL THICKNESS=2.2mm;

- 8 NICKEL PLATING 100u" MIN OVER COPPER PLATING;
- 9 GOLD PLATING 3u" MIN OVER NICKEL PLATING OVER COPPER PLATING;
- 10 GOLD PLATING 10u" MIN OVER NICKEL PLATING OVER COPPER PLATING;
- 11 GOLD PLATING 1u" MIN OVER NICKEL PLATING OVER COPPER PLATING;
- 12 GOLD PLATING 30u" MIN OVER NICKEL PLATING OVER COPPER PLATING.

QTY	REF	DESCRIPTION	MATERIAL	DESCRIPTION	ITEM
1	8		BRASS	NUT	8
1	8		BRASS	LOCK WSHR	7
1	12		BRASS	COVER	6
1	1		PTFE,NATURAL	INSULATOR	5
1	12		BRASS	HOUSING	4
1	12		BERYLLIUM COPPER	CONTACT PIN	3
1	1		PTFE,NATURAL	INSULATOR	2
1	8		BRASS	BODY	1
2446154-3		2446154-2	2446154-1	MATERIAL	DESCRIPTION
2446154-3		2446154-2	2446154-1	MATERIAL	DESCRIPTION

THIS DRAWING IS A CONTROLLED DOCUMENT.

DWN	ED	24APR2023
CHK	RZ	24APR2023
APVD	WH	24APR2023

TE Connectivity

NAME: HIGH DENSITY BNC R/A MOUNT JACK,PCB, BULKHEAD,DC-12GHZ

SIZE	A2	CAGE CODE	00779	DRAWING NO	C=2446154	RESTRICTED TO	-
CUSTOMER DRAWING	SCALE	1	SHEET	1 OF 1	REV	A	