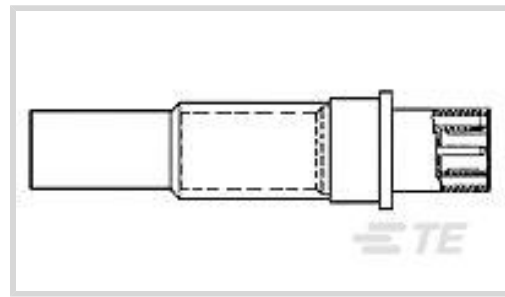




Wire Protection & Management > Interconnect Devices > Shielded Contacts



Compatible With Wire & Cable Type: **TwinAxial**

Contact Type: **Pin**

Contact Size: **Size 8**

Features

Configuration Features

Compatible With Wire & Cable Type	TwinAxial
-----------------------------------	-----------

Contact Features

Contact Type	Pin
Contact Size	Size 8

Usage Conditions

Operating Temperature (Max)	150 °C
-----------------------------	--------

Product Compliance

[For compliance documentation, visit the product page on TE.com>](#)

EU RoHS Directive 2011/65/EU	Not Compliant
EU ELV Directive 2000/53/EC	Not Compliant
China RoHS 2 Directive MIIT Order No 32, 2016	Restricted Materials Above Threshold
EU REACH Regulation (EC) No. 1907/2006	Current ECHA Candidate List: JAN 2024 (240) Candidate List Declared Against: JAN 2024 (240) SVHC > Threshold: Pb (37% in Solder in Solder Device) <small>Article Safe Usage Statements: Do not eat, drink or smoke when using this product. Wash thoroughly after handling. Recycle if possible and dispose of the article by following all applicable governmental regulations relevant to your geographic location.</small>
Halogen Content	Low Halogen - Br, Cl, F, I < 900 ppm per homogenous material. Also BFR/CFR/PVC Free
Solder Process Capability	Not applicable for solder process capability



Product Compliance Disclaimer


This information is provided based on reasonable inquiry of our suppliers and represents our current actual knowledge based on the information they provided. This information is subject to change. The part numbers that TE has identified as EU RoHS compliant have a maximum concentration of 0.1% by weight in homogenous materials for lead, hexavalent chromium, mercury, PBB, PBDE, DBP, BBP, DEHP, DIBP, and 0.01% for cadmium, or qualify for an exemption to these limits as defined in the Annexes of Directive 2011/65/EU (RoHS2). Finished electrical and electronic equipment products will be CE marked as required by Directive 2011/65/EU. Components may not be CE marked. Additionally, the part numbers that TE has identified as EU ELV compliant have a maximum concentration of 0.1% by weight in homogenous materials for lead, hexavalent chromium, and mercury, and 0.01% for cadmium, or qualify for an exemption to these limits as defined in the Annexes of Directive 2000/53/EC (ELV). Regarding the REACH Regulation, the information TE provides on SVHC in articles for this part number is based on the latest European Chemicals Agency (ECHA) 'Guidance on requirements for substances in articles' posted at this URL: <https://echa.europa.eu/guidance-documents/guidance-on-reach>

Compatible Parts



TE Part # 750984-004
10612-24-9


Customers Also Bought



TE Part #507762-000
D-602-0145



TE Part #12331-22
CONT PIN (182-0441-22)



TE Part #728851-000
SPEC 80 Hookup Wire: FlexLine Wire, Tin Coated, 10-12 AWG



TE Part #YDTS20W13-08PAV001
RECP ASSY



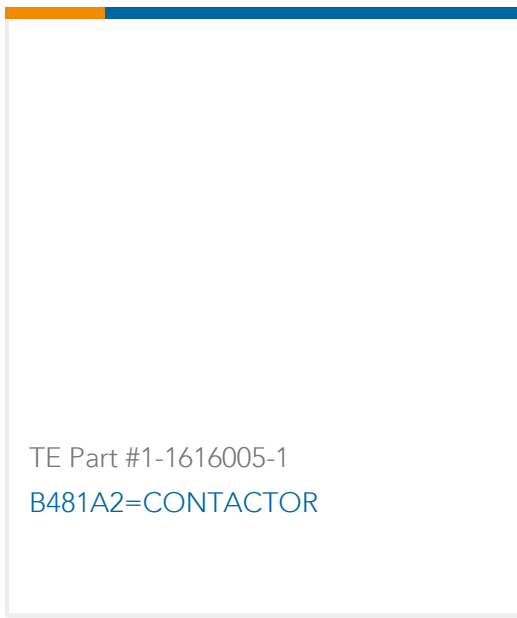
TE Part #CQ50593001
LWB-101-6.0(10)



TE Part #289741-000
55FA0511-22-7L

TE Part #AAB1985-00
91H1-17-06-1-B-HE100

TE Part #ZPF00000000099037
9316, PLUG 17A, 61-0, SN, 1A



Documents

Product Drawings

[DK-602-0156-2](#)

English

Datasheets & Catalog Pages

[Data Bus Components Brochure](#)

English