



Medium Power 50 Watts RF Load Up To 4 GHz With 7/16 DIN Male Input Square Body Black Anodized Aluminum Heatsink

TECHNICAL DATA SHEET

PE6169

Configuration

Connector	7/16 DIN Male
Heat Sink	Black Anodized Aluminum Heatsink
Body Style	Straight

Electrical Specifications

Frequency Range, GHz	DC to 4
Impedance, Ohms	50
Maximum VSWR	1.25:1
Maximum Input Power, Watts	50
Peak Power, KWatts	5

Frequency 1

Frequency, GHz	DC to 2
VSWR	1.15:1

Frequency 2

Frequency, GHz	2 to 4
VSWR	1.25:1

Mechanical Specifications

Size

Length, in [mm]	5.15 [130.81]
Width/Dia., in [mm]	2.765 [70.23]
Height, in [mm]	3.5 [88.9]

Connector

Type	7/16 DIN Male
Inner Conductor Material and Plating	Gold
Coupling Nut Material and Plating	Brass, Nickel
Body Material and Plating	Brass, Nickel
Dielectric Type	PTFE

Compliance Certifications (visit www.Pasternack.com for current document)

RoHS Compliant	Yes
----------------	-----

Click the following link (or enter part number in "SEARCH" on website) to obtain additional part information including price, inventory and certifications: [Medium Power 50 Watts RF Load Up To 4 GHz With 7/16 DIN Male Input Square Body Black Anodized Aluminum Heatsink PE6169](#)

The information contained in this document is accurate to the best of our knowledge and representative of the part described herein. It may be necessary to make modifications to the part and/or the documentation of the part, in order to implement improvements. Pasternack reserves the right to make such changes as required. Unless otherwise stated, all specifications are nominal.



Medium Power 50 Watts RF Load Up To 4 GHz With 7/16 DIN
Male Input Square Body Black Anodized Aluminum Heatsink

TECHNICAL DATA SHEET

PE6169

Plotted and Other Data

Notes:

Values at 25 °C, sea level

Medium Power 50 Watts RF Load Up To 4 GHz With 7/16 DIN Male Input Square Body Black Anodized Aluminum Heatsink from Pasternack Enterprises has same day shipment for domestic and International orders. Our RF, microwave and fiber optic products maintain a 99% availability and are part of the broadest selection in the industry.

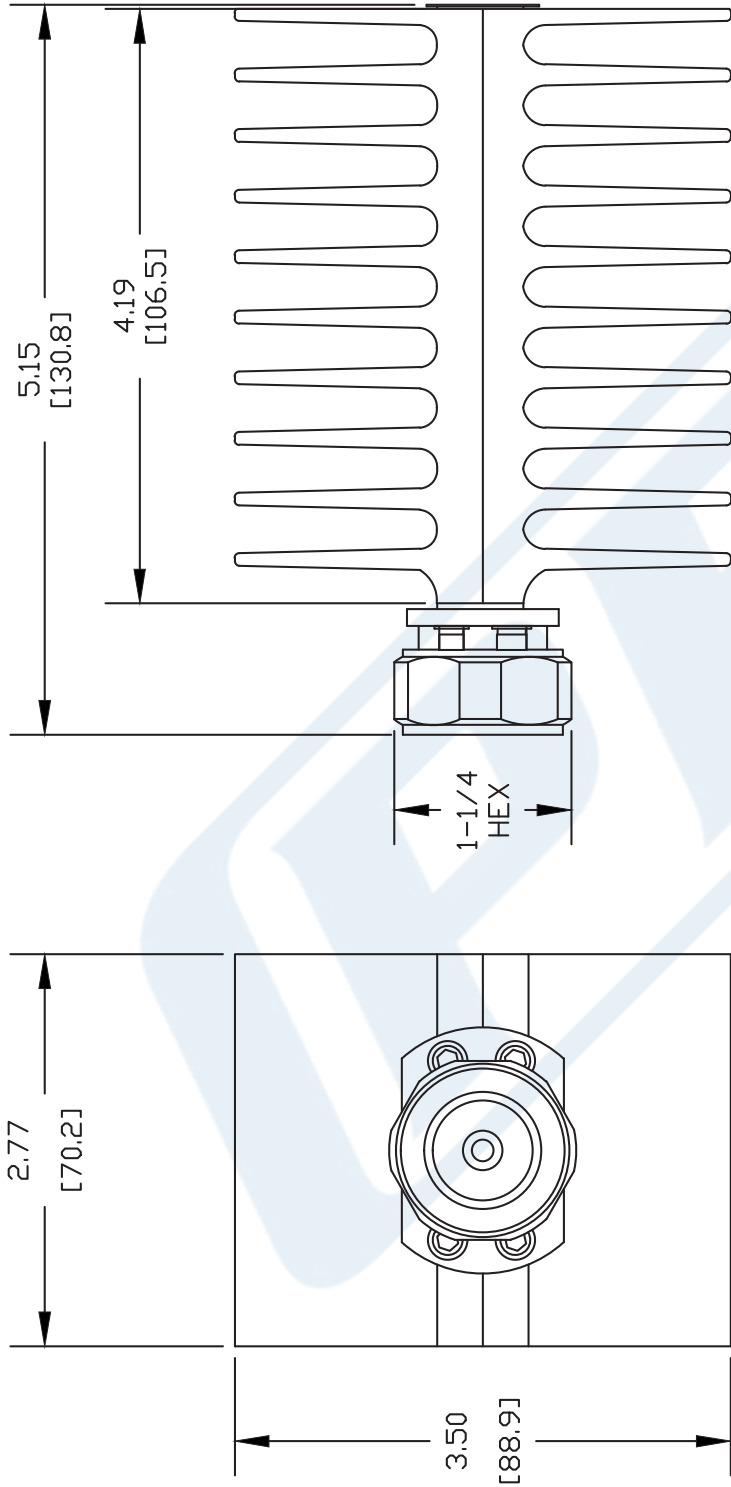
Click the following link (or enter part number in "SEARCH" on website) to obtain additional part information including price, inventory and certifications: [Medium Power 50 Watts RF Load Up To 4 GHz With 7/16 DIN Male Input Square Body Black Anodized Aluminum Heatsink PE6169](http://www.pasternack.com/50-watts-7-16-male-rf-load-up-to-4-ghz-pe6169-p.aspx)

URL: <http://www.pasternack.com/50-watts-7-16-male-rf-load-up-to-4-ghz-pe6169-p.aspx>

The information contained in this document is accurate to the best of our knowledge and representative of the part described herein. It may be necessary to make modifications to the part and/or the documentation of the part, in order to implement improvements. Pasternack reserves the right to make such changes as required. Unless otherwise stated, all specifications are nominal.

PE6169 CAD Drawing

Medium Power 50 Watts RF Load Up To 4 GHz With 7/16 DIN
Male Input Square Body Black Anodized Aluminum Heatsink



DWG TITLE

PE6169

NOTES:
1. UNLESS OTHERWISE SPECIFIED ALL DIMENSIONS ARE NOMINAL.
2. ALL SPECIFICATIONS ARE SUBJECT TO CHANGE WITHOUT NOTICE AT ANY TIME.
3. DIMENSIONS ARE IN INCHES [mm].

FSCM NO. 53919

CAD FILE 020909-A

SCALE N/A

SIZE A

XXXX

PE PASTERNAK®
Pasternack Enterprises, Inc.
P.O. Box 16759 | Irvine | CA | 92623

Phone: (949) 261-1920 | Fax: (949) 261-7451
Website: www.pasternack.com | E-Mail: sales@pasternack.com