



2 Watt RF Load DC to 12 GHz With SMA Female Input Stainless Steel Body

RF Terminations Technical Data Sheet

PE6TR1146

Features

- DC to 12 GHz Frequency Range
- 50 Ohm Impedance
- SMA Female Coaxial Interface
- Max VSWR 1.15:1
- Max Power 2 Watts (CW)

Applications

- WiFi 6E
- 5G Cellular bands
- SatCom
- Radar Systems
- Test and Measurement
- Commercial and Military
- Communication

Description

Pasternack's PE6TR1146 is an RF termination (also called RF load or dummy load) that operates from DC to 12 GHz and handles up to 2 Watt (CW). Our SMA termination / load has a female gender. PE6TR1146 SMA load termination offers 1.15:1 max VSWR.

RF load / terminations are indispensable components in many RF, microwave and millimeter wave systems where signal reflection from unused ports can potentially damage the device or reduce the signal integrity. By using a terminator on an unused port with a matched load (dummy load), the incident energy will be absorbed with minimal reflection. These termination components are commonly used to terminate devices such as couplers, circulators, and switches. They are also widely used in measurement systems to ensure accurate results. Pasternack offers a huge selection of RF, microwave and millimeter wave terminations up to 65 GHz with excellent performance over the entire operating range and power handling capabilities up to 800 Watt (CW).

Electrical Specifications

Description	Minimum	Typical	Maximum	Units
Frequency Range	DC		12	GHz
Impedance		50		Ohms
VSWR			1.15:1	
Input Power (CW)			2	Watts
Derated linearly to 1W at +165°C				
Dielectric Withstanding Voltage (DC)			1,500	Vdc
Operating Voltage (DC)			500	Vdc

Mechanical Specifications

Size	
Length	0.559 in [14.2 mm]
Width	0.315 in [8 mm]
Height	0.315 in [8 mm]

Click the following link (or enter part number in "SEARCH" on website) to obtain additional part information including price, inventory and certifications: [2 Watt RF Load DC to 12 GHz With SMA Female Input Stainless Steel Body PE6TR1146](#)



2 Watt RF Load DC to 12 GHz With SMA
Female Input Stainless Steel Body

RF Terminations Technical Data Sheet

PE6TR1146

Weight 0.004 lbs [1.81 g]
Package Type Connectorized

Configuration
Connector SMA Female

Material Specifications

Description	Material	Plating
Connector 1 Contact	Beryllium Copper	Gold
Insulation	Teflon	
Body	Stainless Steel	Passivated Stainless Steel

Environmental Specifications

Temperature

Operating Range -55 to +165 deg C
Humidity MIL-STD-202, Method 106
Thermal Shock MIL-STD-202, Method 107, Condition B
Salt Spray MIL-STD-202, Method 101, Condition B

Compliance Certifications (see [product page](#) for current document)

Plotted and Other Data

Notes:

2 Watt RF Load DC to 12 GHz With SMA Female Input Stainless Steel Body from Pasternack Enterprises has same day shipment for domestic and International orders. Our RF, microwave and millimeter wave products maintain a 99.4% availability and are part of the broadest selection in the industry.

Click the following link (or enter part number in "SEARCH" on website) to obtain additional part information including price, inventory and certifications: [2 Watt RF Load DC to 12 GHz With SMA Female Input Stainless Steel Body PE6TR1146](#)

URL: <https://www.pasternack.com/2-watts-sma-female-feed-thru-load-12-ghz-pe6tr1146-p.aspx>

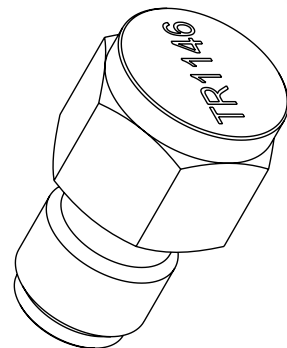
The information contained in this document is accurate to the best of our knowledge and representative of the part described herein. It may be necessary to make modifications to the part and/or the documentation of the part, in order to implement improvements. Pasternack reserves the right to make such changes as required. Unless otherwise stated, all specifications are nominal. Pasternack does not make any representation or warranty regarding the suitability of the part described herein for any particular purpose, and Pasternack does not assume any liability arising out of the use of any part or documentation.

PE6TR1146 CAD Drawing

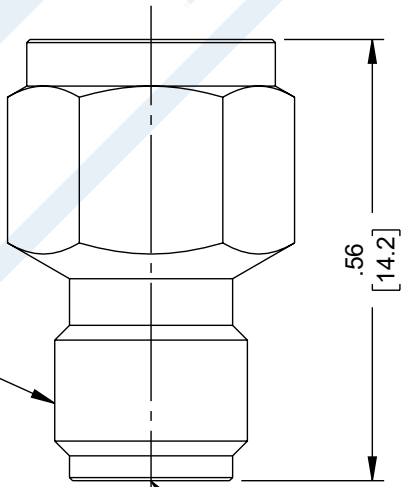
2 Watt RF Load DC to 12 GHz With SMA Female Input Stainless Steel Body

ZONE		REV	DESCRIPTION	DATE	CHANGED BY	APPROVED
		A	INITIAL RELEASE	05/01/2023	DZINN	SPONG

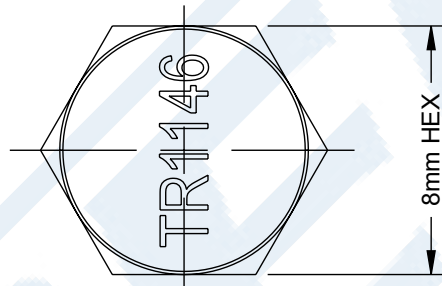
REVISION	
1	
2	
3	
4	
5	
6	



1/4-36 UNS-2A



SMA FEMALE TERMINATOR



8mm HEX

UNLESS OTHERWISE SPECIFIED LEADING DIMENSIONS ARE INCHES DIMENSIONS IN [] ARE MILLIMETERS

TOLERANCES:
 X = ±.2 [.5] FRACTIONS
 .XX = ±.02 [.5] ± 1/32
 .XXX = ±.005 [.13] ANGLES ± 1°

CABLE LENGTH TOLERANCES:
 ≤ 12 [305] = +1 [25] / -0
 > 12 [305] ≤ 60 [1524] = +2 [51] / -0
 > 60 [1524] ≤ 120 [3048] = +4 [102] / -0
 > 120 [3048] ≤ 300 [7620] = +6 [152] / -0
 > 300 [7620] = +5% / -0

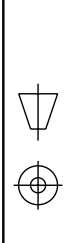
ALL DIMENSIONS ARE FOR REFERENCE ONLY AND SUBJECT TO CHANGE WITHOUT NOTICE



Website: www.Pasternack.com
 Phone: 1.866.727.8376 | 1.949.261.1920

DESCRIPTION

SMA FEMALE TERMINATOR, 2 WATT, 50 OHM,
 12 GHz, VSWR 1.15, STAINLESS STEEL



INTERPRET ALL DIMENSIONS AND TOLERANCES PER ASME Y14.5
 SCALE NONE
 SHEET 1 OF 1

THE INFORMATION CONTAINED IN THIS DRAWING IS THE SOLE PROPERTY OF INFINITE ELECTRONICS, INC. ANY REPRODUCTION IN PART OR WHOLE WITHOUT THE WRITTEN PERMISSION OF INFINITE ELECTRONICS, INC. IS PROHIBITED. THESE COMMODITIES, TECHNOLOGY OR SOFTWARE WERE EXPORTED FROM THE UNITED STATES IN ACCORDANCE WITH THE EXPORT ADMINISTRATION REGULATIONS. DIVERSION CONTRARY TO U.S. LAW PROHIBITED.

SIZE	CAGE CODE	DRAWN BY	ITEM NO.
A	53919	DZINN	PE6TR1146

REV	A
-----	---