

GlobTek, Inc. www.globtek.com 186 Veterans Drive, Northvale, NJ 07647 Tel. (201) 784-1000 Fax (201) 784-0111	Drawing Title: , , Efficiency Level: , Case Color/Style: GlobTek Black, , , Input Rating: , , Output Rating: W, 0.0V@0.0A, Output Configuration: mm, / Cond, , , Ferrite: , , GT Cord #, Pin Out: , Blades/Input Cord: , Approvals: to , GT Cable #: / Conductors, mm	
	Model No. ,	
	Part No./Ordering No. CMC40MH2W(R)	Rev A

In Addition to GlobTek Inc.'s renewed ISO9001:2008 - Quality Management System Certification, GlobTek Inc. is now certified to:

ISO13485:2003 - Medical Devices Quality Management System Certification
ISO14001:2004 - Environmental Management System Certification

ISO Certificates are available online at <http://www.globtek.com/iso-certificates/>

The acceptance of this specification and use of the product described in this document indicates the acceptance and binding of the customer to Globtek TERMS AND CONDITIONS (attached to the end of this document), which supersede all other agreements, terms, and conditions (<http://www.globtek.com/terms-and-conditions/>).

Prop 65 Statement:<https://www.globtek.com/prop-65-statement.pdf>

Footnote:

GlobTek Inc. will not be liable for the safety and performance of these power supplies if unauthorized access and repair occurs. End user should consult applicable UL, CSA or EN standards for proper installation instruction.

Limitation of Use:

GlobTek products are intended for use with commercial, medical, and/or industrial equipment only. GlobTek product are not authorized for use as mission critical components in life support hazardous environment, nuclear or aircraft applications without prior written approval from the CEO of GlobTek Inc.

Contents of this document are subject to change without prior notice.

Customer Approval of Specification:

Please approve, sign and send back to GlobTek so we can complete order processing.
A delay in receipt of this form will delay delivery schedule.

Company Name: _____	Customer P/N: _____
Quote Number: _____	Date: _____
Authorized Representative Name: _____	Authorized Representative Signature: _____

GlobTek, Inc. www.globtek.com 186 Veterans Drive, Northvale, NJ 07647 Tel. (201) 784-1000 Fax (201) 784-0111	Drawing Title: , , Efficiency Level: , Case Color/Style: GlobTek Black, , , Input Rating: , , Output Rating: W, 0.0V@0.0A, Output Configuration: mm, / Cond, , , Ferrite: , , GT Cord # , Pin Out: , Blades/Input Cord: , Approvals: to , GT Cable #: / Conductors, mm	
	Model No. ,	Part No./Ordering No. CMC40MH2W(R)

REVISION HISTORY

REV	DESCRIPTION	SUB	DATE	APPROVED
A	Initial release	DR	05/15/2019	QA

AGENCY ONLINE DOCUMENTS

RoHS/RoHS3 Declaration https://www.globtek.com/pdf/rohs_cert/01t0c000009ENEPAA4

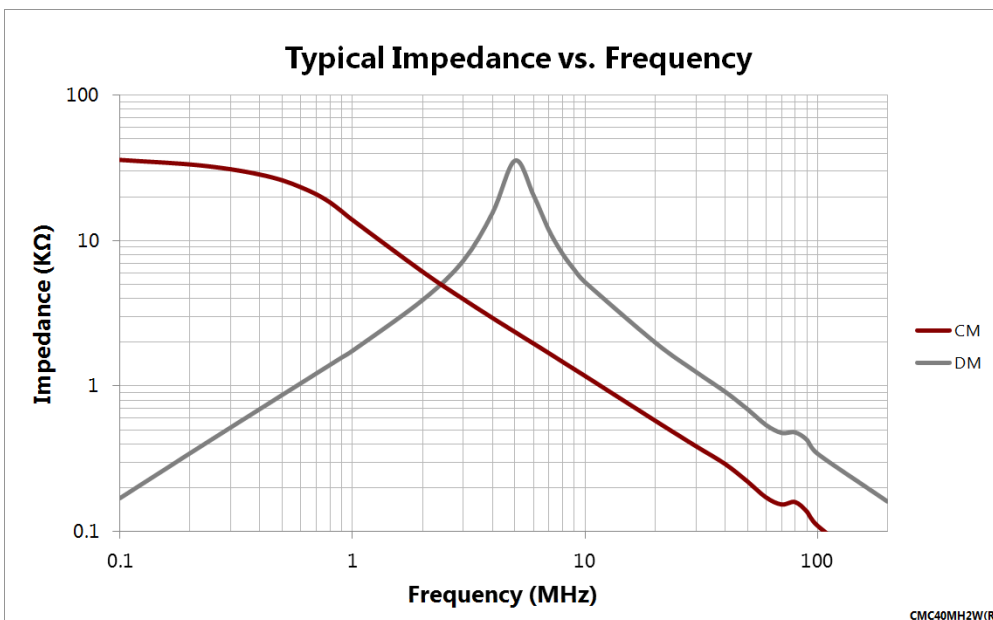
REACH Declaration https://www.globtek.com/pdf/iso_certificates/REACH.pdf

Conflict Minerals Declaration <https://www.globtek.com/pdf/conflict-minerals.pdf>

Prop 65 Statement <https://en.globtek.com/prop-65-statement.pdf>

IPXY rating is based on 3rd party testing and customers should check suitability and test system level IPXY rating before ordering.

MINIATURE COMMON MODE CHOKE/AC LINE FILTER



Inductance: 35mH Min @ 1KHz

Current Rating: 125mA

DC Resistance: 4.2 Ohms Typ. ea. Winding.

Rated Voltage: 310Vac

Operating Temperature: -40°C to +105°C

Thermal Class B (130°C) [Designation GTX-1; UL File # E243347]

Core Initial Permeability(ui) is 12000±30%

DIELECTRIC STRENGTH TEST (HI-POT)

1500 VAC 5mA COIL TO COIL 1 MIN

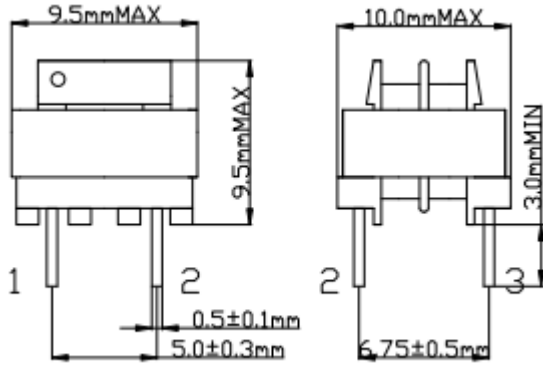
500 VAC 5mA COIL TO CORE 1 MIN

INSULATION RESISTANCE

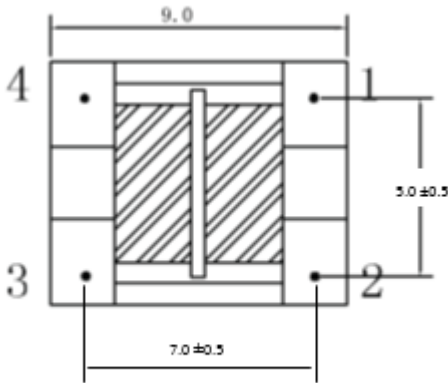
OVER 100 Mohm AT 500 VDC BETWEEN COIL TO COIL AND COIL AND COIL TO CORE

GlobTek, Inc. www.globtek.com 186 Veterans Drive, Northvale, NJ 07647 Tel. (201) 784-1000 Fax (201) 784-0111	Drawing Title: , , Efficiency Level: , Case Color/Style: GlobTek Black, , , Input Rating: , , Output Rating: W, 0.0V@0.0A, Output Configuration: mm, / Cond, , , Ferrite: , , GT Cord #, Pin Out: , Blades/Input Cord: , Approvals: to , GT Cable #: / Conductors, mm	
	Model No.	Part No./Ordering No. CMC40MH2W(R)
		Rev A

MECHANICAL DRAWING:



SIDE VIEW



Bottom View

PCB HOLE PATTERN 7.0 X 5.0 MM

Notes on Use

Shelf Life: Use within 6 months. If the product is used after a storage period of 6 months or longer, confirm its solderability before use.

Storage Condition: Avoid storage in high temperature and high humidity environment, as such condition may deteriorate the solderability of external electrode. Avoid storage in atmosphere containing toxic gases or acid (e.g., sulphur and chlorine), as such gas may deteriorate the solderability of external electrode. Avoid storage near strong magnetic field, as such condition may magnetize the product.

Although GlobTek designs and manufactures its products to the most stringent quality and safety standards, given the current state of the art, isolated component failures may still occur. Accordingly, customer applications which require a high degree of reliability or safety should employ

GlobTek, Inc. www.globtek.com 186 Veterans Drive, Northvale, NJ 07647 Tel. (201) 784-1000 Fax (201) 784-0111	Drawing Title: , , Efficiency Level: , Case Color/Style: GlobTek Black, , , Input Rating: , , Output Rating: W, 0.0V@0.0A, Output Configuration: mm, / Cond, , , Ferrite: , , GT Cord # , Pin Out: , Blades/Input Cord: , Approvals: to , GT Cable #: / Conductors, mm	
	Model No. ,	
	Part No./Ordering No. CMC40MH2W(R)	Rev A

suitable designs or other safeguards (such as installation of protective circuitry or redundancies) in order to ensure that the failure of an electrical component does not result in a risk of personal injury or property damage

GlobTek, Inc. www.globtek.com 186 Veterans Drive, Northvale, NJ 07647 Tel. (201) 784-1000 Fax (201) 784-0111	Drawing Title: , , Efficiency Level: , Case Color/Style: GlobTek Black, , , Input Rating: , , Output Rating: W, 0.0V@0.0A, Output Configuration: mm, / Cond, , , Ferrite: , , GT Cord #, Pin Out: , Blades/Input Cord: , Approvals: to , GT Cable #: / Conductors, mm	
	Model No. ,	
Part No./Ordering No. CMC40MH2W(R)		Rev A

PACKAGING

Packing Spec P/N:

Box Qty: TBD

Gift Box Size (mm):

Gift Box Color: White

Master Carton Size (mm): TBD

Master Carton Cubic Volume (m³): 0.00

Master GW (Kg): kg

wt Ea. (Kg): kg

wt Ea. (Kg): kg

LABEL SPECS: Standard GT,L-1186

PACK SPEC: