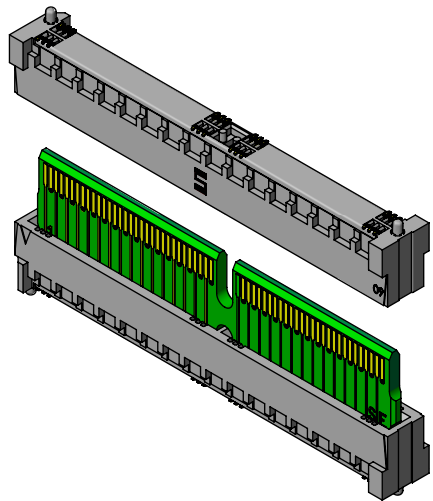


DO NOT SCALE FROM THIS PRINT



RU8-1XX-XX-XX-XX-DV-XX-X-XX

No OF POSITIONS

-40, -50, & -60

STACK HEIGHT

-19, -25, -30
(SEE TABLE 1)

SIGNAL ROUTING

-SE: SINGLE ENDED
-DP: DIFFERENTIAL PAIRS

CONNECTOR PLATING SPECIFICATION

(VALUES GIVEN ARE IN MICRO-INCHES)
-SM: SELECTIVE, 30 AU / 50 NI MIN ON CONTACT, MATTE TIN TAIL
-H: HEAVY GOLD, 30 AU / 50 NI MIN ON CONTACT, 3 AU / 50 NI MIN ON TAIL
-S: SELECTIVE, 30 AU / 50 NI MIN ON CONTACT, MATTE TIN TAIL
-L: LIGHT SELECTIVE, 10 AU / 50 NI MIN ON CONTACT, MATTE TIN TAIL

CONNECTOR PACKAGING

BLANK: TRAY (SEE NOTES 4 & 6)
-TR: TAPE & REEL (SEE NOTES 5, 6 & 7)
-FR: FULL REEL QTY TAPE & REEL (SEE NOTES 5, 6 & 7)

OPTION

-K: POLYAMIDE FILM PAD (SEE NOTE 3)

OPTION

-BL: BOARD LOCK (FIG. 2, SHT. 2) (AVAILABLE ON -25 & -30 STACK HEIGHTS ONLY)

ROW SPECIFICATION

-DV: DUAL VERTICAL

TABLE 1 (BOARD TO BOARD)

STYLE	"A"
-19	0.75 [19.0]
-25	0.98 [25.0]
-30	1.18 [30.0]

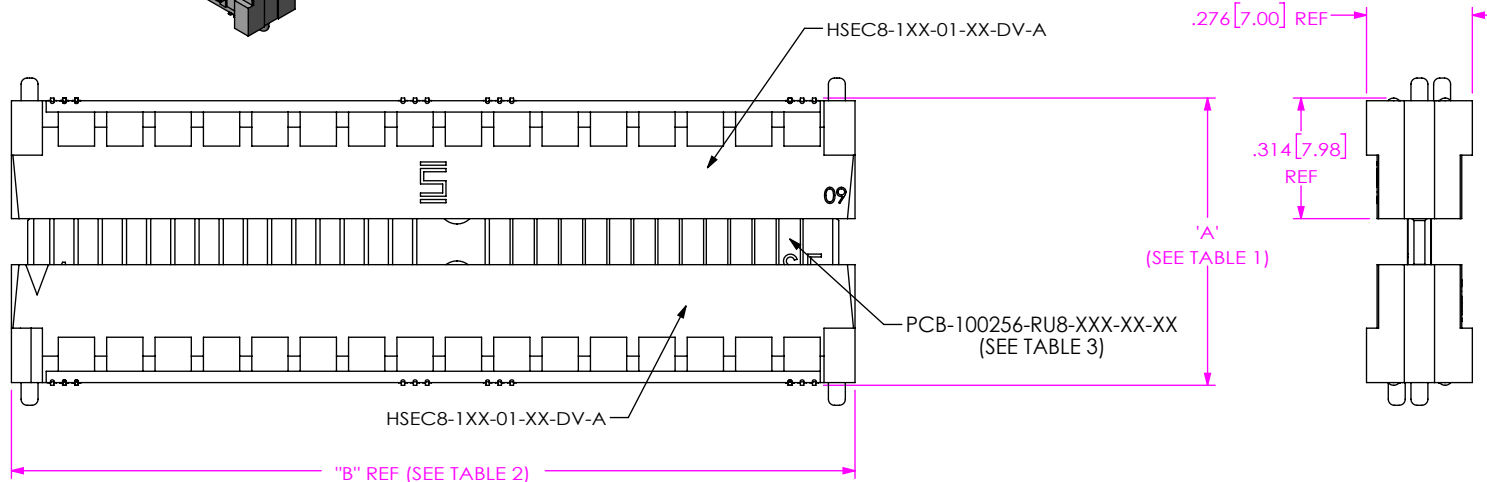


FIG 1
RU8-160-19-SE-XX-DV SHOWN
(PARTS DO NOT SHIP AS SHOWN)

TABLE 2		
No OF POS	"B"	"C"
-40	1.567 [39.80]	2.010 [51.05]
-50	1.882 [47.80]	2.325 [59.05]
-60	2.197 [55.80]	2.640 [67.05]

NOTES:

- ⊕ REPRESENTS A CRITICAL DIMENSION.
- BOTH HSEC8 CONNECTORS WILL BE SHIPPED WITH THE SAME OPTIONS EXCEPT FOR -BL OPTION.
- REFERENCE HSEC8 DRAWING FOR ALL OTHER DIMENSIONS AND OPTIONS.
- HSEC8 ASSEMBLIES WILL BE TRAY PACKAGED AND PCBs WILL BE PACKAGED IN BUBBLE BAGS. THE TRAY STACK SHOULD BE PLACED IN A TRAY BOX FIRST WITH THE PCBs PLACED ON TOP AND THEN VOID FILLED.
- IF -TR/-FR IS ORDERED, PACKAGE HSEC8 CONNECTORS IN TAPE AND REEL AND PLACE BAGGED PCBs IN SAME BOX, OTHERWISE FOLLOW NOTE 4.
- ORDERS WILL BE PACKAGED ACCORDING TO THE SAMTEC PACKAGING EFFICIENCY STANDARDS (SPES) FOUND ON WWW.SAMTEC.COM.
- ATTACH LABEL TO EACH REEL.

UNLESS OTHERWISE SPECIFIED, DIMENSIONS ARE IN INCHES.
TOLERANCES ARE:
DECIMALS ANGLES
.XX: ±.01 [.3] 2°
.XXX: ±.005 [.13]
.XXXX: ±.0020 [.051]

PROPRIETARY NOTE
THIS DOCUMENT CONTAINS CONFIDENTIAL AND PROPRIETARY INFORMATION AND ALL DESIGN, MANUFACTURING, REPRODUCTION, USE, PATENT RIGHTS AND SALES RIGHTS ARE EXPRESSLY RESERVED BY SAMTEC, INC. THIS DOCUMENT SHALL NOT BE DISCLOSED, IN WHOLE OR PART, TO ANY UNAUTHORIZED PERSON OR ENTITY NOR REPRODUCED, TRANSFERRED OR INCORPORATED IN ANY OTHER PROJECT IN ANY MANNER WITHOUT THE EXPRESS WRITTEN CONSENT OF SAMTEC, INC.



520 PARK EAST BLVD., NEW ALBANY, IN 47150
PHONE: 812-944-6733 FAX: 812-948-5047
e-Mail: info@SAMTEC.com code 55322

MATERIAL: DO NOT SCALE DRAWING SHEET SCALE: 1:1
INSULATOR: LCP, UL 94 VO, COLOR: BLACK
CONTACT: BRUSH ALLOY, 390 HT
LATCH ARM: LCP

DESCRIPTION:
.8mm BOARD TO BOARD KIT
DWG. NO.
RU8-1XX-XX-XX-XX-DV-XX-X-XX
BY: ELS 8/17/04 SHEET 1 OF 2

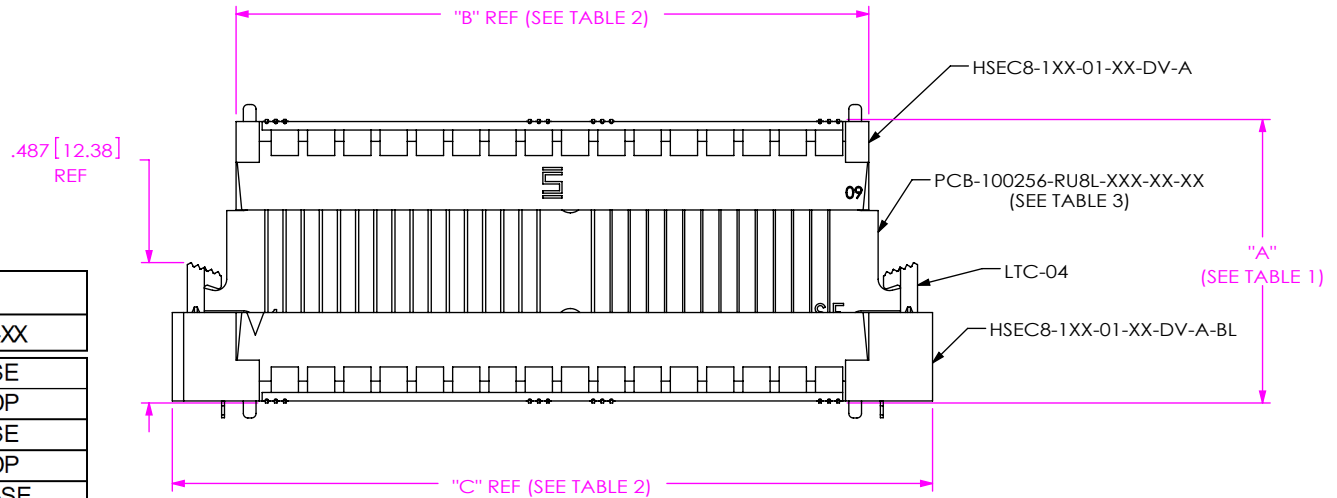
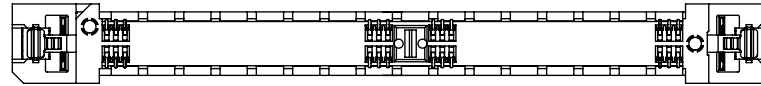



TABLE 3	
PART NUMBER	PCB-100256-RU8X-XXX-XX-XX
RU8-140-19-SE-XX-DV-XX	PCB-100256-RU8-040-19-SE
RU8-140-19-DP-XX-DV-XX	PCB-100256-RU8-040-19-DP
RU8-140-25-SE-XX-DV-XX	PCB-100256-RU8-040-25-SE
RU8-140-25-DP-XX-DV-XX	PCB-100256-RU8-040-25-DP
RU8-140-25-SE-XX-DV-BL-XX	PCB-100256-RU8L-040-25-SE
RU8-140-25-DP-XX-DV-BL-XX	PCB-100256-RU8L-040-25-DP
RU8-140-30-SE-XX-DV-XX	PCB-100256-RU8-040-30-SE
RU8-140-30-DP-XX-DV-XX	PCB-100256-RU8-040-30-DP
RU8-140-30-SE-XX-DV-BL-XX	PCB-100256-RU8L-040-30-SE
RU8-140-30-DP-XX-DV-BL-XX	PCB-100256-RU8L-040-30-DP
RU8-150-19-SE-XX-DV-XX	PCB-100256-RU8-050-19-SE
RU8-150-19-DP-XX-DV-XX	PCB-100256-RU8-050-19-DP
RU8-150-25-SE-XX-DV-XX	PCB-100256-RU8-050-25-SE
RU8-150-25-DP-XX-DV-XX	PCB-100256-RU8-050-25-DP
RU8-150-25-SE-XX-DV-BL-XX	PCB-100256-RU8L-050-25-SE
RU8-150-25-DP-XX-DV-BL-XX	PCB-100256-RU8L-050-25-DP
RU8-150-30-SE-XX-DV-XX	PCB-100256-RU8-050-30-SE
RU8-150-30-DP-XX-DV-XX	PCB-100256-RU8-050-30-DP
RU8-150-30-SE-XX-DV-BL-XX	PCB-100256-RU8L-050-30-SE
RU8-150-30-DP-XX-DV-BL-XX	PCB-100256-RU8L-050-30-DP
RU8-160-19-SE-XX-DV-XX	PCB-100256-RU8-060-19-SE
RU8-160-19-DP-XX-DV-XX	PCB-100256-RU8-060-19-DP
RU8-160-25-SE-XX-DV-XX	PCB-100256-RU8-060-25-SE
RU8-160-25-DP-XX-DV-XX	PCB-100256-RU8-060-25-DP
RU8-160-25-SE-XX-DV-BL-XX	PCB-100256-RU8L-060-25-SE
RU8-160-25-DP-XX-DV-BL-XX	PCB-100256-RU8L-060-25-DP
RU8-160-30-SE-XX-DV-XX	PCB-100256-RU8-060-30-SE
RU8-160-30-DP-XX-DV-XX	PCB-100256-RU8-060-30-DP
RU8-160-30-SE-XX-DV-BL-XX	PCB-100256-RU8L-060-30-SE
RU8-160-30-DP-XX-DV-BL-XX	PCB-100256-RU8L-060-30-DP

FIG 2
 RU8-160-25-SE-XX-DV-BL SHOWN
 (AVAILABLE IN -25 & -30 STACKER HEIGHTS ONLY)

<p>PROPRIETARY NOTE</p> <p>THIS DOCUMENT CONTAINS CONFIDENTIAL AND PROPRIETARY INFORMATION AND ALL DESIGN, MANUFACTURING, REPRODUCTION, USE, PATENT RIGHTS AND SALES RIGHTS ARE EXPRESSLY RESERVED BY SAMTEC, INC. THIS DOCUMENT SHALL NOT BE DISCLOSED, IN WHOLE OR PART, TO ANY UNAUTHORIZED PERSON OR ENTITY NOR REPRODUCED, TRANSFERRED OR INCORPORATED IN ANY OTHER PROJECT IN ANY MANNER WITHOUT THE EXPRESS WRITTEN CONSENT OF SAMTEC, INC.</p> <p>DO NOT SCALE DRAWING</p> <p>SHEET SCALE: 2:1</p>	 <p>520 PARK EAST BLVD, NEW ALBANY, IN 47150 PHONE: 812-944-6733 FAX: 812-948-5047 e-Mail: info@SAMTEC.com code 55322</p>	
	DESCRIPTION: .8mm BOARD TO BOARD KIT	
	DWG. NO. RU8-1XX-XX-XX-XX-DV-XX-X-XX	
	BY: ELS	8/17/04