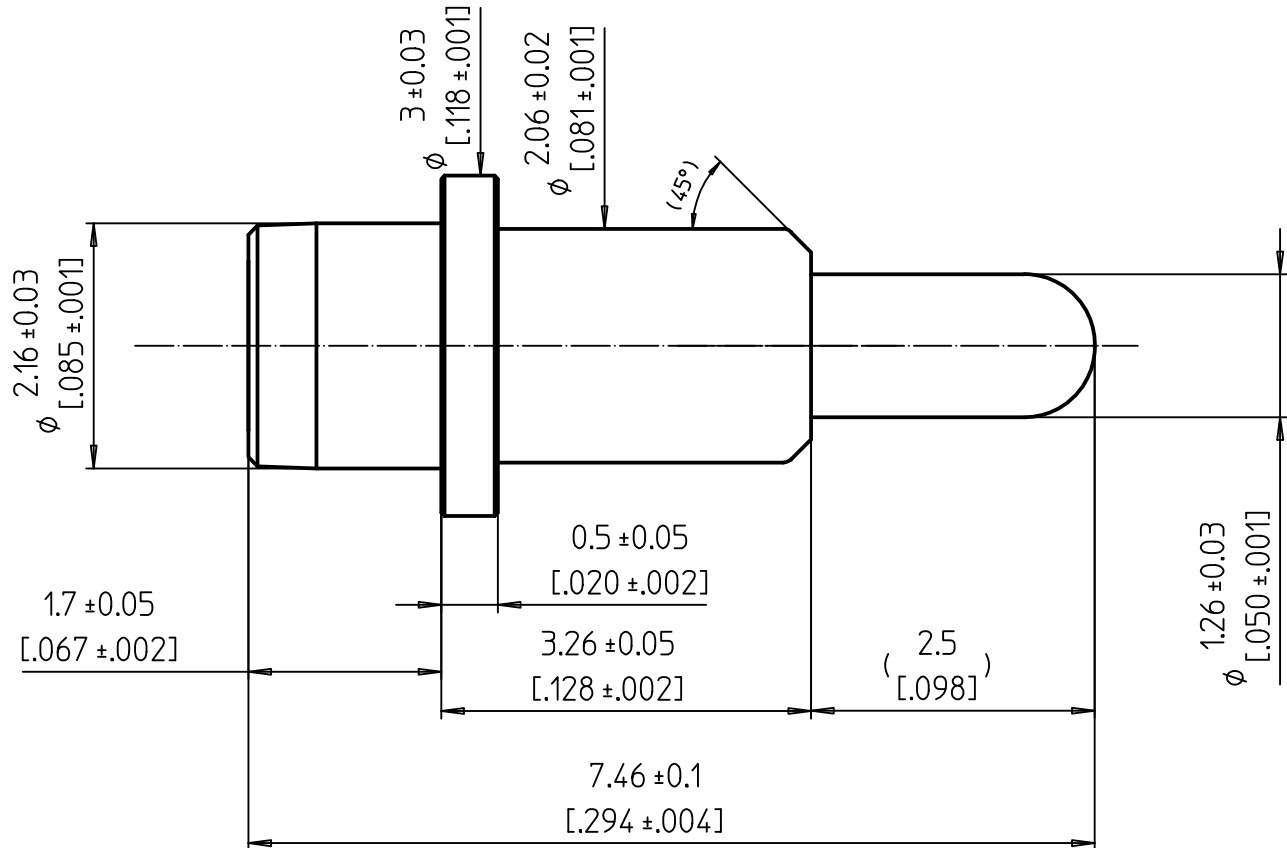
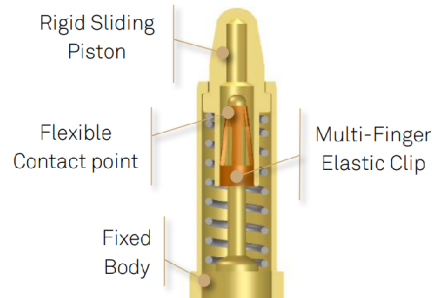


Spring Loaded Contacts  
With PRECI-DIP Integrated CLIP



NOTES:

MECHANICAL REQUIREMENTS:

Durability: 20'000 cycles at Hnom  
Theoretical stroke: S= 1.40 mm [L.055']  
Spring forces (F):  
Finit= 0.46 N \*  
F1= 0.6 N at H1= 5.56 mm [L.219']  
Fnom= 0.91±0.28 N at Hnom= 5.11 mm [L.201']  
F2= 1.42 N at H2= 4.36 mm [L.171']  
Recommended working range: between H1 and H2  
Forces are measured in mean value of compression / decompression

ELECTRICAL REQUIREMENTS:

Contact resistance:  
R= 30 mOhms max in static mode at Hnom  
Current per individual contact in free air at ambient temperature:  
ICont= 5 A at Hnom with temperature raise max 30°C

ENVIRONMENTAL REQUIREMENTS:

Operating temperature: -25 °C / +125 °C  
Storage temperature: -40 °C / +125 °C  
Relative humidity: 5% / 95%

MATERIALS / PLATINGS:

Contact interfaces plated with 0.5 µm [L.20µ'] gold over Nickel  
Spring: Stainless steel  
Clip : Beryllium Copper

SOLDERING

Recommended PCB hole size : 2.41 mm [L.095]  
Pad size 3.2 mm [L.125]  
PCB hole and Pad size may vary regarding your soldering process

High Reliability  
Spring Loaded Contact



Remplace:

Remplacé par:

15:1

Dessiné

09.12.2022

C.Bidault

Contrôlé

N° dessin

Révision

90629-AS

P2