



Application Tooling > Hand Crimping Tools



Tool Grade: **Commercial Crimp Tooling**
 Die Sets Type: **Removable/Interchangeable**
 Specification Type: **TE Product Specification (114-)**
 TE Certification: **Cannot be Certified**
 Tooling Type: **SDE Crimp Die Set**

Features

Other

Crimp Form-Wire Barrel Type	Open Barrel - F Crimp
Tool Grade	Commercial Crimp Tooling
Die Sets Type	Removable/Interchangeable
Specification Type	TE Product Specification (114-)
TE Certification	Cannot be Certified
Tooling Type	SDE Crimp Die Set

Product Compliance

[For compliance documentation, visit the product page on TE.com>](#)

EU RoHS Directive 2011/65/EU	Out of Scope
EU ELV Directive 2000/53/EC	Out of Scope
China RoHS 2 Directive MIIT Order No 32, 2016	Not reviewed for China RoHS compliance
EU REACH Regulation (EC) No. 1907/2006	Current ECHA Candidate List: JAN 2024 (240) Candidate List Declared Against: JUN 2010 (36)



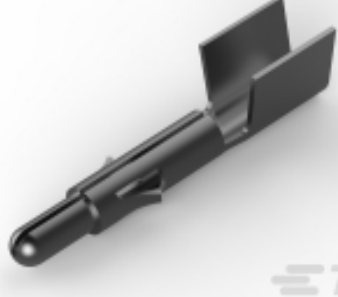
SVHC > Threshold:
 Not Yet Reviewed

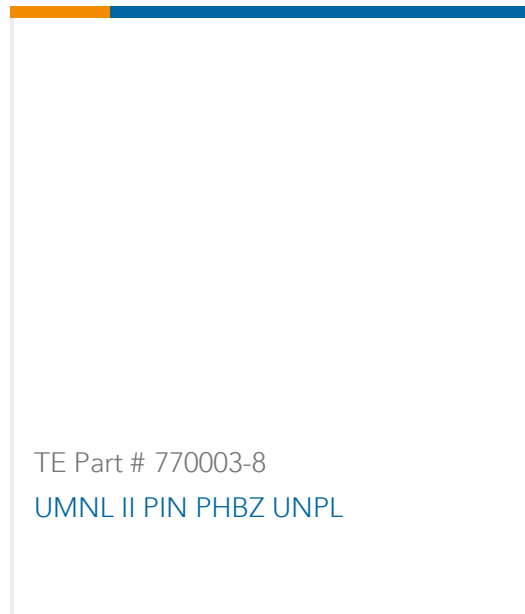
Halogen Content	Not Yet Reviewed for halogen content
Solder Process Capability	Not applicable for solder process capability

Product Compliance Disclaimer

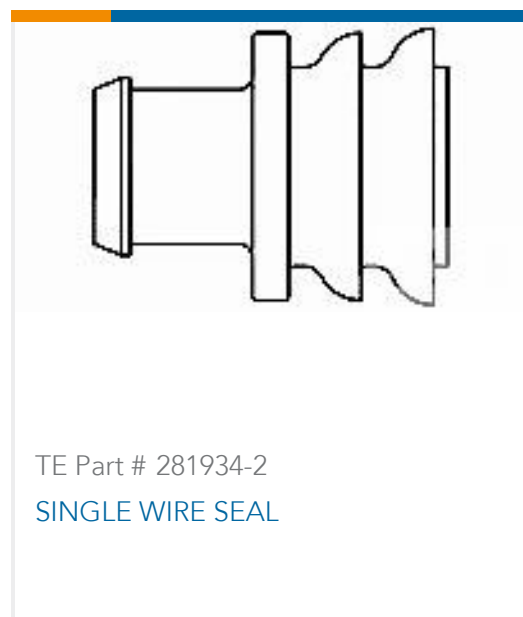
This information is provided based on reasonable inquiry of our suppliers and represents our current actual knowledge based on the information they provided. This information is subject to change. The part numbers that TE has identified as EU RoHS compliant have a maximum concentration of 0.1% by weight in homogenous materials for lead, hexavalent chromium, mercury, PBB, PBDE, DBP, BBP, DEHP, DIBP, and 0.01% for cadmium, or qualify for an exemption to these limits as defined in the Annexes of Directive 2011/65/EU (RoHS2). Finished electrical and electronic equipment products will be CE marked as required by Directive 2011/65/EU. Components may not be CE marked. Additionally, the part numbers that TE has identified as EU ELV compliant have a maximum concentration of 0.1% by weight in homogenous materials for lead, hexavalent chromium, and mercury, and 0.01% for cadmium, or qualify for an exemption to these limits as defined in the Annexes of Directive 2000/53/EC (ELV). Regarding the REACH Regulations, TE's information on SVHC in articles for this part number is still based on the European Chemical Agency (ECHA) 'Guidance on requirements for substances in articles'(Version: 2, April 2011), applying the 0.1% weight on weight concentration threshold at the finished product level. TE is aware of the European Court of Justice ruling of September 10th, 2015 also known as O5A (Once An Article Always An Article) stating that, in case of 'complex object', the threshold for a SVHC must be applied to both the product as a whole and simultaneously to each of the articles forming part of its composition. TE has evaluated this ruling based on the new ECHA "Guidance on requirements for substances in articles" (June 2017, version 4.0) and will be updating its statements accordingly.

Compatible Parts

 TE Part # 770247-3 UMNL II SOK PTPPHBZ LP 12-10	 TE Part # 640310-3 UMNL SOK 12-10 PTPPHBZ	 TE Part # 640309-3 UMNL PIN 12-10 PTPPHBZ	 TE Part # 770003-3 UMNL II PIN PTPPHBZ
 TE Part # 770004-3 UMNL II SOK PTPPHBZ	 TE Part # 770234-3 UMNL GRND PIN PTPPHBZ	 TE Part # 1-770004-0 UMNL II SOK SN/AUNI/PHBZ	 TE Part # 1-770003-0 UMNL II PIN DUPLX AUSN/NI/PHBZ



Customers Also Bought



Documents

[Datasheets & Catalog Pages](#)

[Bottoming Dies](#)

English

[SDE Crimp Commercial Tool System](#)

English

[CRIMPING TERMINALS](#)

English

[CRIMPING WHERE FORM MEETS FUNCTION](#)



English

Instruction Sheets

Instruction Sheet (U.S.)

English