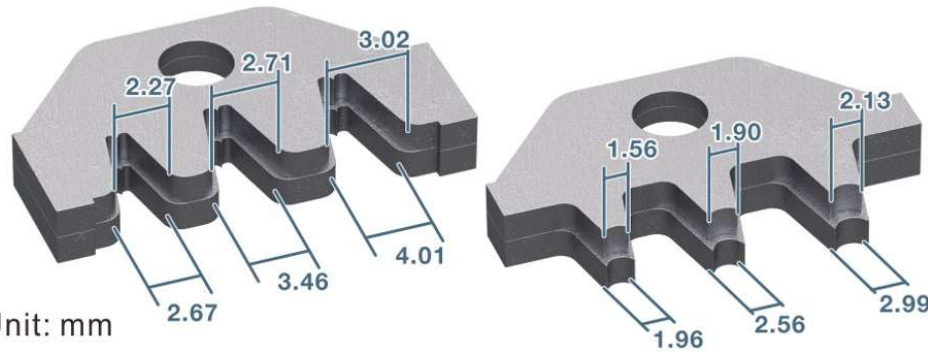


APPROVED: \_\_\_\_\_

DATE: \_\_\_\_\_ TITLE: \_\_\_\_\_

Rev	AWO #	Description	Date	Appr
-		RELEASED	11/23/22	
A		UPDATE DRAWING	11/16/23	JJ/RC



Unit: mm

SPECIFICATIONS:

Mechanical:

Wire range : 18~28 #AWG  
DIN 0.1-1.0 mm<sup>2</sup>

UNLESS OTHERWISE SPECIFIED ALL DIMENSIONS ARE INCHES [MM]. TOLERANCES: EXCEPT AS NOTED

INCHES		HOLES	
X	± .10	∅X	± .10
.XX	± .020	∅.XX	± .015
.XXX	± .015	∅.XXX	± .010

**ADAM TECH**

909 Rahway Avenue,  
Union, NJ 07083  
Phone: 908-687-5000  
Fax: 908-687-5710

DRAWN	JJ	11/23/22
CHECKED	RC	11/23/22
APPROVED		

TITLE  
CRIMP TOOL, NON-INSULATED/OPEN BARREL TERMINAL  
18 TO 28 AWG

THIS DRAWING CONTAINS INFORMATION THAT IS PROPRIETARY AND SHOULD NOT BE USED WITHOUT PRIOR WRITTEN PERMISSION FROM ADAM TECH

SIZE	PART NO.	REV.
X	ATHT-010	A

REF: - SCALE: NTS SHEET 1 OF 1