



AMP

TE Internal #: 2063537-1

Hand Crimping Tools, Commercial Crimp Tooling, Operator Releasable & Adjustable, Removable/Interchangeable, TE Product Specification (114-), Manual

[View on TE.com >](#)

Application Tooling > Hand Crimping Tools



Tool Grade: **Commercial Crimp Tooling**

Ratchet Configuration: **Operator Releasable & Adjustable**

Die Sets Type: **Removable/Interchangeable**

Specification Type: **TE Product Specification (114-)**

TE Certification: **No**

Features

Other

Crimp Form-Wire Barrel Type	Open Barrel - F Crimp
Tool Grade	Commercial Crimp Tooling
Ratchet Configuration	Operator Releasable & Adjustable
Die Sets Type	Removable/Interchangeable
Specification Type	TE Product Specification (114-)
TE Certification	No
Power Technology Type	Manual
Tooling Type	SDE Crimp Hand Tool

Product Compliance

[For compliance documentation, visit the product page on TE.com>](#)

EU RoHS Directive 2011/65/EU	Out of Scope
EU ELV Directive 2000/53/EC	Out of Scope
China RoHS 2 Directive MIIT Order No 32, 2016	Not reviewed for China RoHS compliance
EU REACH Regulation (EC) No. 1907/2006	Current ECHA Candidate List: JAN 2024 (240) Candidate List Declared Against: JAN 2024 (240) Does not contain REACH SVHC










Halogen Content	Low Halogen - Br, Cl, F, I < 900 ppm per homogenous material. Also BFR/CFR/PVC Free
Solder Process Capability	Not applicable for solder process capability

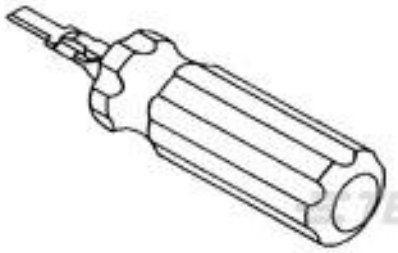


Product Compliance Disclaimer

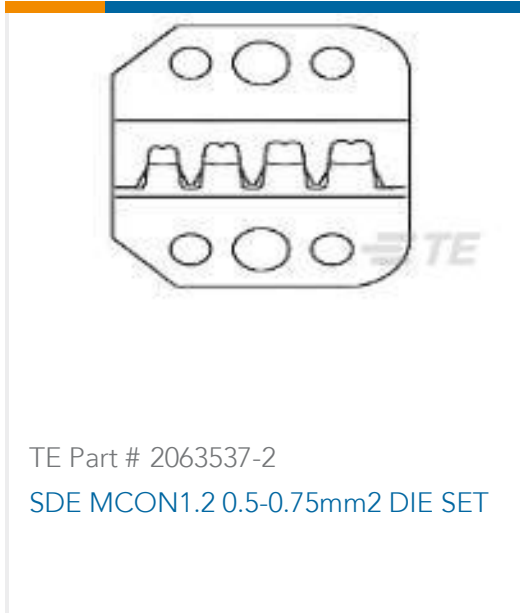
This information is provided based on reasonable inquiry of our suppliers and represents our current actual knowledge based on the information they provided. This information is subject to change. The part numbers that TE has identified as EU RoHS compliant have a maximum concentration of 0.1% by weight in homogenous materials for lead, hexavalent chromium, mercury, PBB, PBDE, DBP, BBP, DEHP, DIBP, and 0.01% for cadmium, or qualify for an exemption to these limits as defined in the Annexes of Directive 2011/65/EU (RoHS2). Finished electrical and electronic equipment products will be CE marked as required by Directive 2011/65/EU. Components may not be CE marked. Additionally, the part numbers that TE has identified as EU ELV compliant have a maximum concentration of 0.1% by weight in homogenous materials for lead, hexavalent chromium, and mercury, and 0.01% for cadmium, or qualify for an exemption to these limits as defined in the Annexes of Directive 2000/53/EC (ELV). Regarding the REACH Regulation, the information TE provides on SVHC in articles for this part number is based on the latest European Chemicals Agency (ECHA) 'Guidance on requirements for substances in articles' posted at this URL: <https://echa.europa.eu/guidance-documents/guidance-on-reach>

Compatible Parts

 <p>TE Part # CAT-N13-MSLRTT12 MCON 1.2 Locking Lance Receptacle and Tab Terminals</p>	 <p>TE Part # 2063537-2 SDE MCON1.2 0.5-0.75mm2 DIE SET</p>	 <p>TE Part # 2362810-1 SDE CRIMP HAND TOOL FRAME W /O DIES</p>	 <p>TE Part # 1452669-2 MCON 1.2 LL REC SWS AU LP</p>
 <p>TE Part # 1718761-1 MCON 1.2 LL TAB SWS SN LP</p>	 <p>TE Part # 1718761-2 TAB 1.2X0.6</p>	 <p>TE Part # 1718761-3 MCON 1.2 LL TAB SWS AG LP</p>	

Customers Also Bought

 <p>TE Part # 967067-1 MQS SGL WIRE SEAL</p>	 <p>TE Part # 1276565-1 EXTRACTION TOOL FOR .025 REC</p>	 <p>TE Part # 140814-2 250 FASTON,TAB,TPBR</p>	 <p>TE Part # DRC18-40SB PLG, 40P, BLK, N, B</p>
---	---	---	---



Documents

Datasheets & Catalog Pages

Bottoming Dies

English

SDE Crimp Commercial Tool System

English

CRIMPING TERMINALS

English

CRIMPING WHERE FORM MEETS FUNCTION

English

Instruction Sheets

Instruction Sheet (U.S.)

English

Instruction Sheet (U.S.)

English