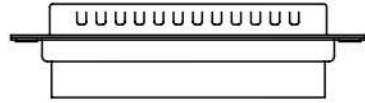
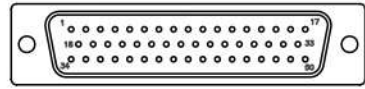


RoHS COMPLIANT

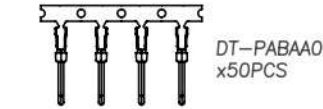
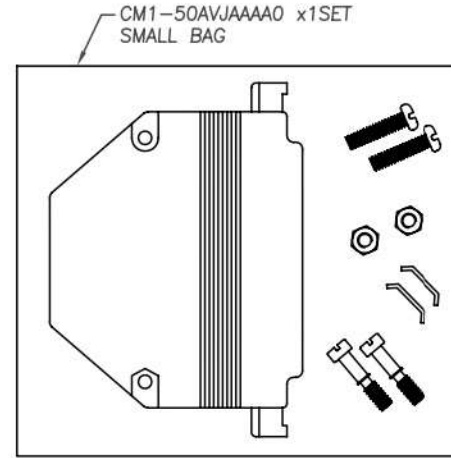
REV	DATE	DESCRIPTION
C	06/24/"22	Apply: Alberta

(1)

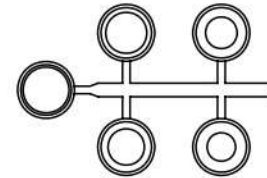


DH-50PKC00A0 x1PCS

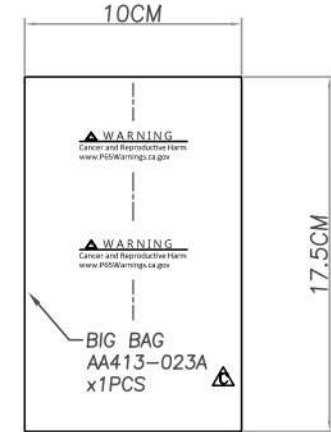
DCT-50MM-KIT



DT-PABAA0
x50PCS



XG37-50
x1PCS



WARNING
Cancer and Reproductive Harm
www.P65Warnings.ca.gov

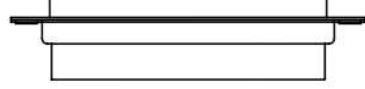
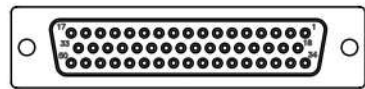
WARNING
Cancer and Reproductive Harm
www.P65Warnings.ca.gov

BIG BAG
AA413-023A
x1PCS

17.5CM

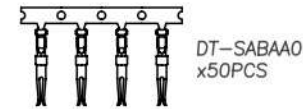
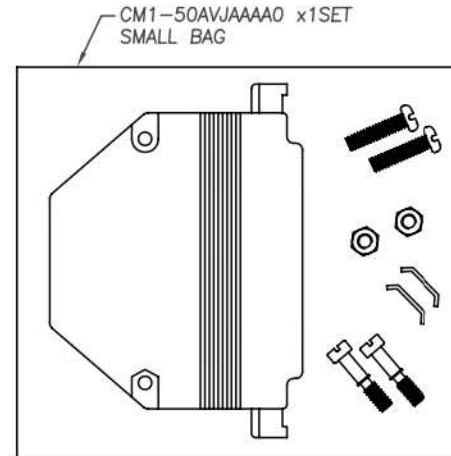
10CM

(2)

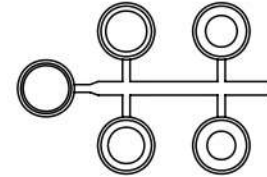


DH-50SKC00A0 x1PCS

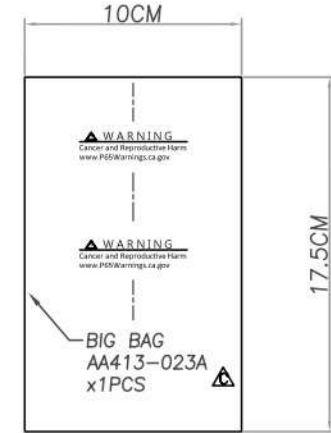
DCT-50FM-KIT



DT-SABAA0
x50PCS



XG37-50
x1PCS



WARNING
Cancer and Reproductive Harm
www.P65Warnings.ca.gov

WARNING
Cancer and Reproductive Harm
www.P65Warnings.ca.gov

BIG BAG
AA413-023A
x1PCS

17.5CM

10CM

NO.	CC+ P/N	Internal P/N	ITEM P/N	DESCRIPTION	Q'TY	UNIT	PRODUCT PACKING
1	DCT-50MM-KIT	DH-50PKC00BA	DH-50PKC00A0	D-SUB 50PIN CRIMP TYPE MALE	1	PCS	BIG BAG:17.5*10*0.05CM
			DT-PABAA0	CRIMP TYPE MALE TERMINAL	50	PCS	
			CM1-50AVJAAAA0	D-SUB 50PIN METAL HOOD OD:16MM	1	SET	
			XG37-50	GROMET	1	PCS	
2	DCT-50FM-KIT	DH-50SKC00BA	DH-50SKC00A0	D-SUB 50PIN CRIMP TYPE FEMALE	1	PCS	BIG BAG:17.5*10*0.05CM
			DT-SABAA0	CRIMP TYPE FEMALE TERMINAL	50	PCS	
			CM1-50AVJAAAA0	D-SUB 50PIN METAL HOOD OD:16MM	1	SET	
			XG37-50	GROMET	1	PCS	

NOTE:

WARNING
Cancer and Reproductive Harm
www.P65Warnings.ca.gov

CompuCableUSA

MODEL NAME:
Crimp Type Shielded Metal Hood Kit

MARK EXPLAIN:
⚠:Revision Change
I:Important Dimension
①:Note

TOLERANCE:
0.000:
0.00 : ±0.20
0.0 : ±0.30
0. : ±0.40
ANGLE: ±3.0°

UNIT: mm

PART NO. DCT-50XM-KIT

APPROVED BY: ALBERTA

CHECKED BY: EDEA

DRAW BY: ALAN

FILE NO.FIG03225

SCALE: 1/1

DATE : 1080718