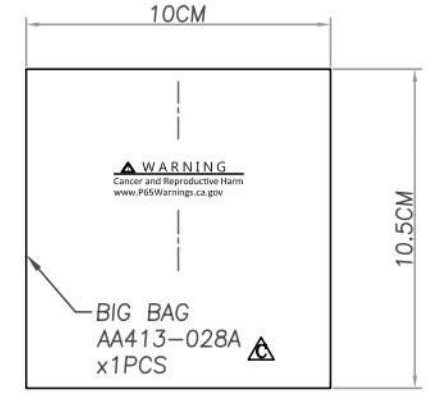
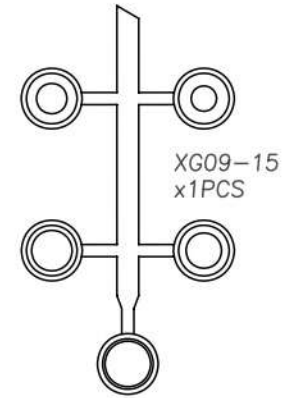
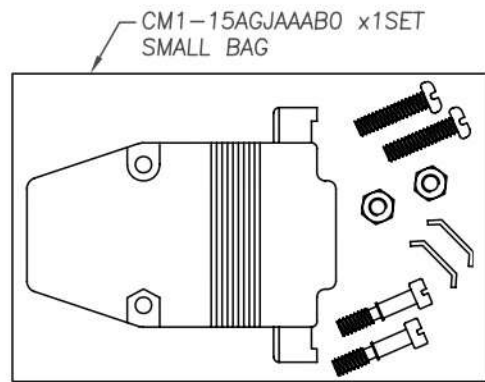
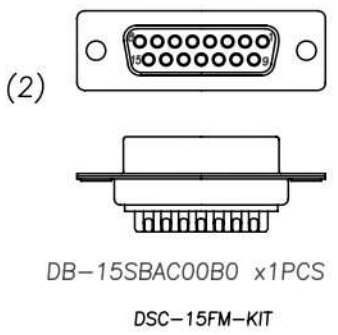
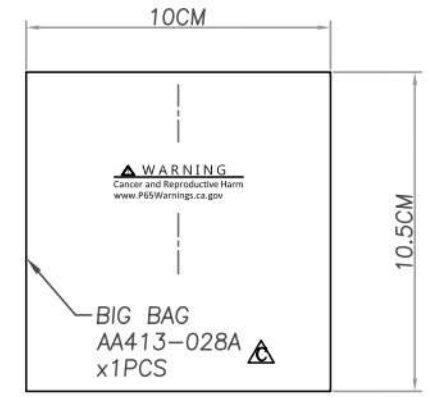
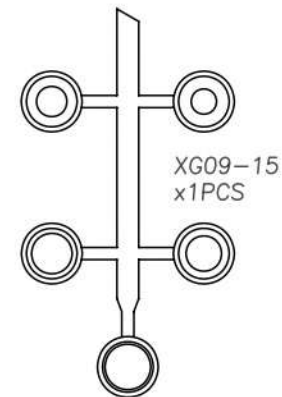
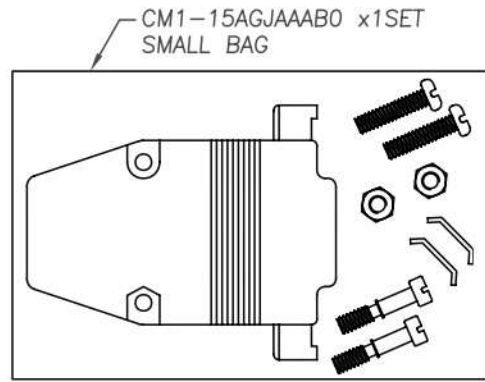
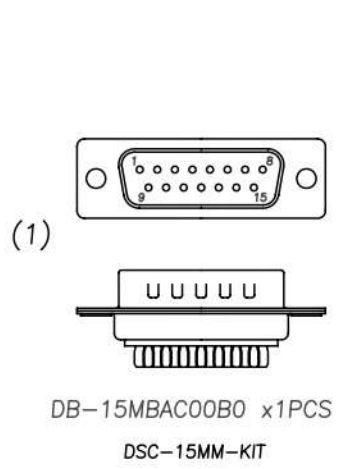


RoHS COMPLIANT

REV	DATE	DESCRIPTION
C	06/24/"22	Apply: Alberta



NO.	CC+ P/N	Internal P/N	ITEM P/N	DESCRIPTION	QTY	UNIT	PRODUCT PACKING
1	DSC-15MM-KIT	DB-15MBAC00HA	DB-15MBAC00B0	D-SUB 15PIN SOLDER TYPE MALE	1	PCS	BIG BAG:10.5*10.*0.05CM
			CM1-15AGJAAAB0	D-SUB 15PIN METAL HOOD OD:9MM	1	SET	
			XG09-15	GROMET	1	PCS	
2	DSC-15FM-KIT	DB-15SBAC00HA	DB-15SBAC00B0	D-SUB 15PIN SOLDER TYPE FEMALE	1	PCS	BIG BAG:10.5*10.*0.05CM
			CM1-15AGJAAAB0	D-SUB 15PIN METAL HOOD OD:9MM	1	SET	
			XG09-15	GROMET	1	PCS	

NOTE:

WARNING
Cancer and Reproductive Harm
www.P65Warnings.ca.gov



MODEL NAME:
Solder Type Shielded Metal Hood Kit

MARK EXPLAIN:
 ⚠:Revision Change
 I:Important Dimension
 Ⓜ:Note

TOLERANCE:
 0.00:
 0.00 : ±0.20
 0.0 : ±0.30
 0. : ±0.40
 ANGLE: ±3.0°
 UNIT: mm

PART NO. DSC-15XM-KIT
 APPROVED BY: ALBERTA
 CHECKED BY: EDEA
 DRAW BY: ALAN
 FILE NO. FIG03215
 SCALE: 1/1
 DATE: 1080718