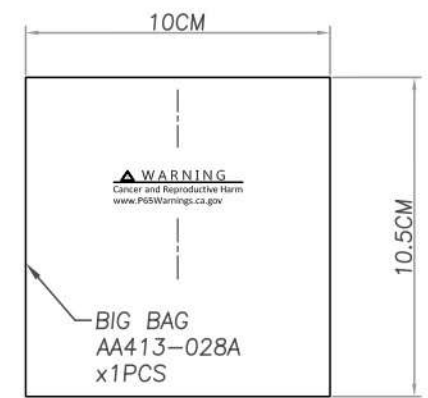
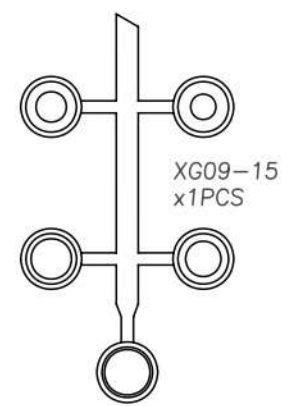
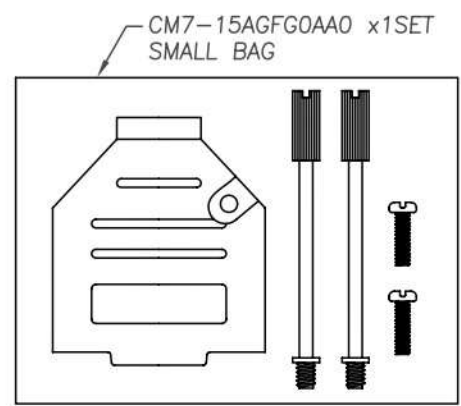
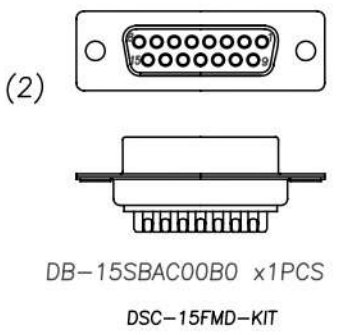
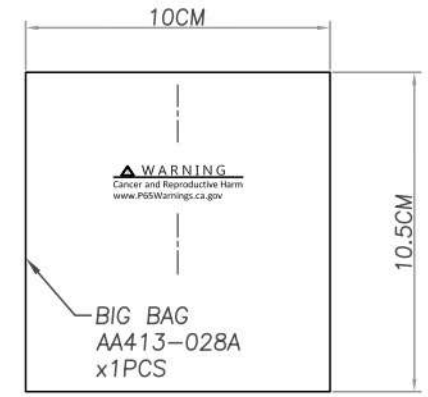
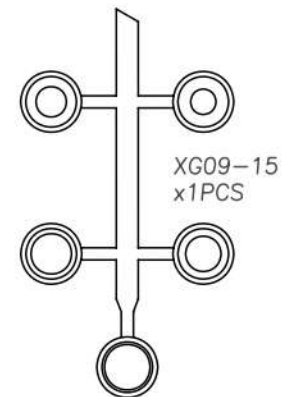
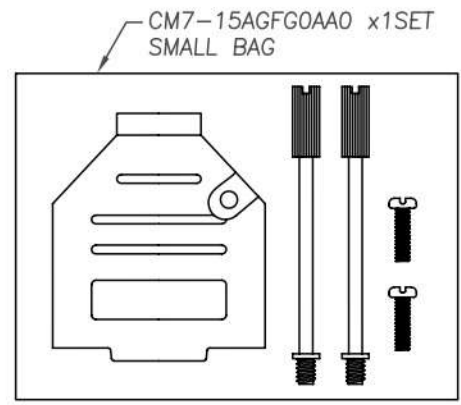
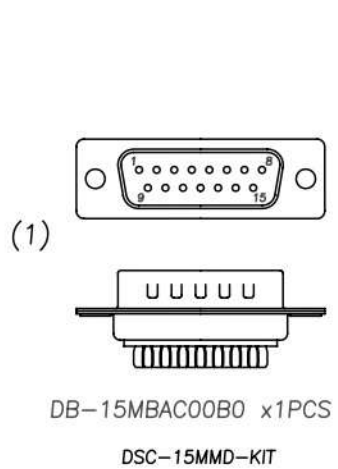


RoHS COMPLIANT

REV	DATE	DESCRIPTION
A	11/01/'23	(Official Drawing)



NO.	CC+ P/N	Internal P/N	ITEM P/N	DESCRIPTION	QTY	UNIT	PRODUCT PACKING
1	DSC-15MMD-KIT	DB-15MBAC00PA	DB-15MBAC00B0	D-SUB 15PIN SOLDER TYPE MALE	1	PCS	BIG BAG:10.5*10.*0.05CM
			CM7-15AGFG0AAO	D-SUB 15PIN METAL HOOD OD:9MM	1	SET	
			XG09-15	GROMET	1	PCS	
2	DSC-15FMD-KIT	DB-15SBAC00PA	DB-15SBAC00B0	D-SUB 15PIN SOLDER TYPE FEMALE	1	PCS	BIG BAG:10.5*10.*0.05CM
			CM7-15AGFG0AAO	D-SUB 15PIN METAL HOOD OD:9MM	1	SET	
			XG09-15	GROMET	1	PCS	

NOTE:  
**WARNING**  
Cancer and Reproductive Harm  
www.P65Warnings.ca.gov



MODEL NAME:  
Solder Type Deluxe Shielded Metal  
Hood Kit

MARK EXPLAIN:  
⚠:Revision Change  
I:Important Dimension  
①:Note

TOLERANCE:  
0.000:  
0.00 : ±0.20  
0.0 : ±0.30  
0. : ±0.40  
ANGLE: ±3.0°  
UNIT: mm

PART NO. DSC-15XMD-KIT  
APPROVED BY: ARISA  
CHECKED BY: ALAN  
DRAW BY: ALAN  
FILE NO. FIG03396  
SCALE: 1/1  
DATE: 1121101