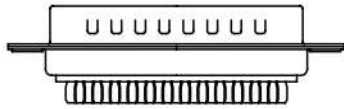
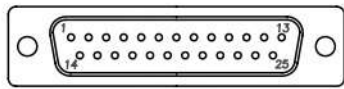


RoHS COMPLIANT

REV	DATE	DESCRIPTION
C	06/24/"22	Apply: Alberta

(1)

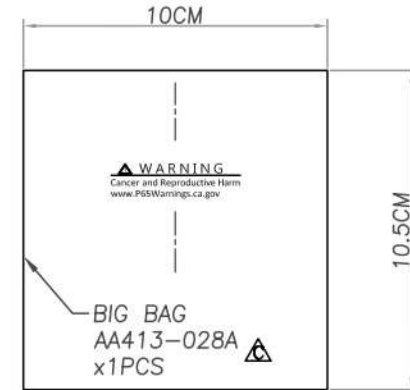
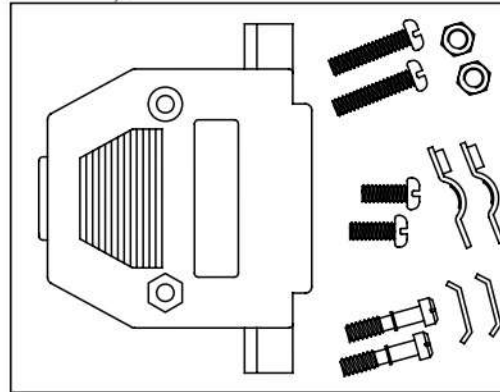


DB-25MBAC00B0 x1PCS

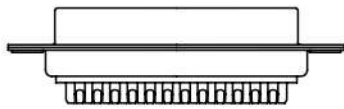
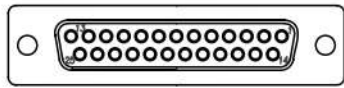
DSC-25MP-KIT



C01-25GNAEAAO x1SET  
SMALL BAG



(2)

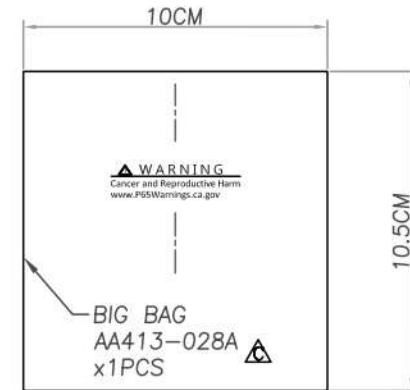
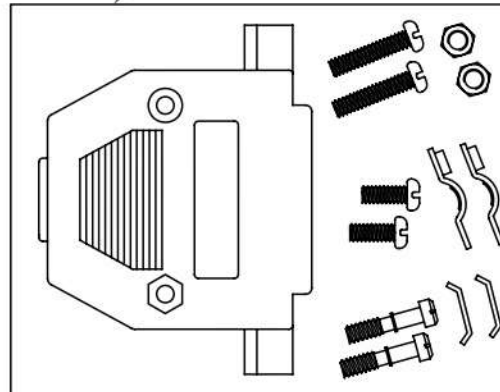


DB-25SBAC00B0 x1PCS

DSC-25FP-KIT



C01-25GNAEAAO x1SET  
SMALL BAG



NO.	CC+ P/N	Internal P/N	ITEM P/N	DESCRIPTION	QTY	UNIT	PRODUCT PACKING
1	DSC-25MP-KIT	DB-25MBAC00JB	DB-25MBAC00B0	D-SUB 25PIN SOLDER TYPE MALE	1	PCS	BIG BAG:10.5*10.*0.05CM
			C01-25GNAEAAO	D-SUB 25PIN PLASTIC HOOD GREY	1	SET	
2	DSC-25FP-KIT	DB-25SBAC00JB	DB-25SBAC00B0	D-SUB 25PIN SOLDER TYPE FEMALE	1	PCS	BIG BAG:10.5*10.*0.05CM
			C01-25GNAEAAO	D-SUB 25PIN PLASTIC HOOD GREY	1	SET	

NOTE:

**WARNING**  
Cancer and Reproductive Harm  
www.P65Warnings.ca.gov

CompuCableUSA

MODEL NAME:

Solder Type Unshielded Plastic Hood Kit

MARK EXPLAIN:  
 ⚠:Revision Change  
 I:Important Dimension  
 ⓘ:Note

TOLERANCE:  
 0.00:  
 0.00 : ±0.20  
 0.0 : ±0.30  
 0. : ±0.40  
 ANGLE: ±3.0°  
 UNIT: mm

PART NO. DSC-25XP-KIT

APPROVED BY: ALBERTA

CHECKED BY: EDEA

DRAW BY: ALAN

FILE NO.FIG03220

SCALE: 1/1

DATE : 1080722