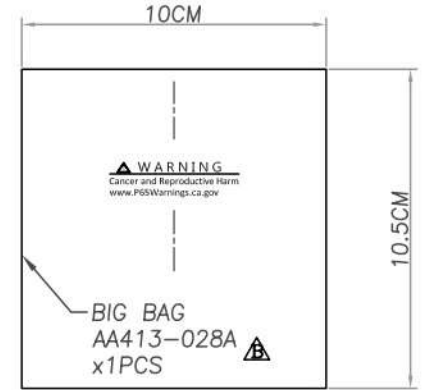
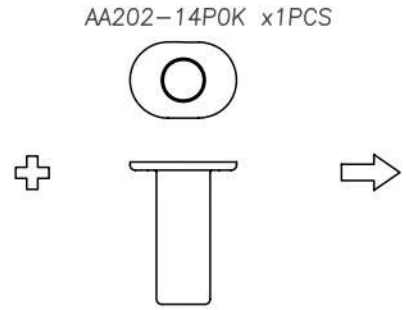
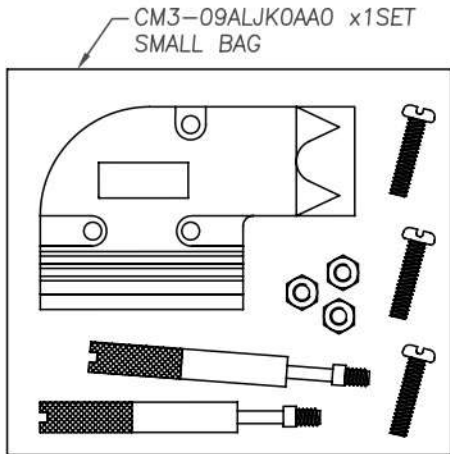
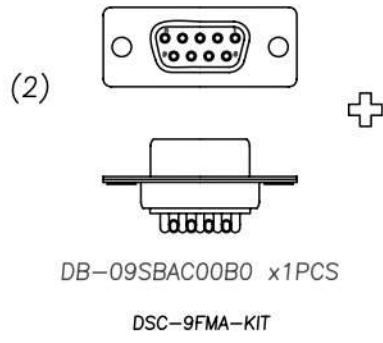
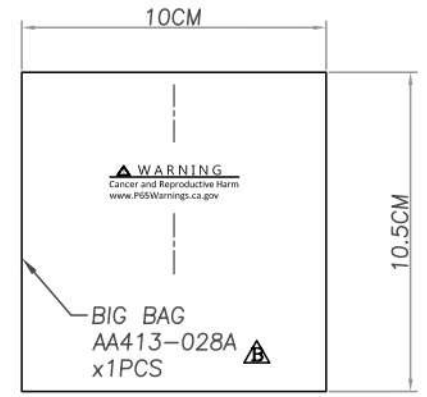
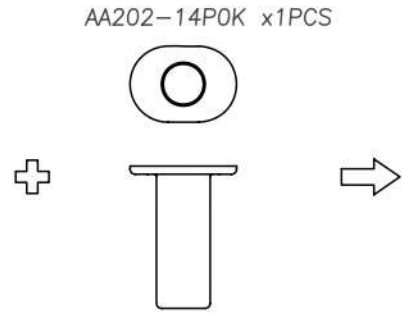
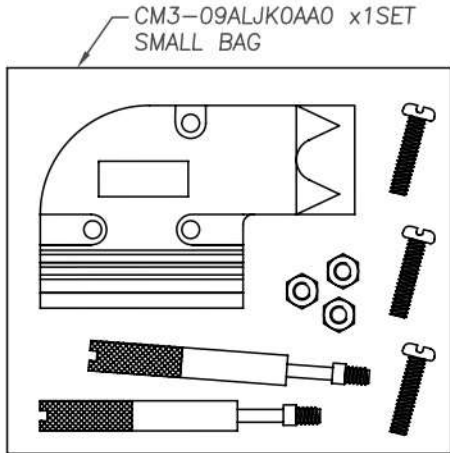
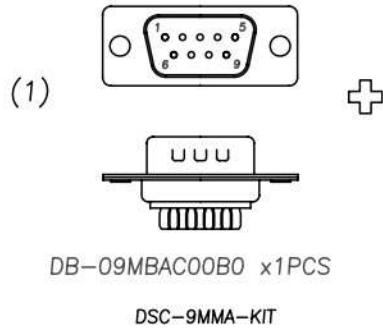


RoHS COMPLIANT

REV	DATE	DESCRIPTION
B	06/24/"22	Apply: Alberta



NO.	CC+ P/N	Internal P/N	ITEM P/N	DESCRIPTION	Q'T Y	UNIT	PRODUCT PACKING
1	DSC-9MMA-KIT	DB-09MBAC00LA	DB-09MBAC00B0	D-SUB 9PIN SOLDER TYPE MALE	1	PCS	BIG BAG:10.5*10*0.05CM
			CM3-09ALJK0AA0	D-SUB 9PIN METAL R/A HOOD OD:11MM	1	SET	
			AA202-14POK	GROMET	1	PCS	
2	DSC-9FMA-KIT	DB-09SBAC00LA	DB-09SBAC00B0	D-SUB 9PIN SOLDER TYPE FEMALE	1	PCS	BIG BAG:10.5*10*0.05CM
			CM3-09ALJK0AA0	D-SUB 9PIN METAL R/A HOOD OD:11MM	1	SET	
			AA202-14POK	GROMET	1	PCS	

NOTE:  
▲ WARNING  
Cancer and Reproductive Harm  
www.P65Warnings.ca.gov



MODEL NAME:  
Solder Type Shielded Metal Elbow  
Hood Kit

MARK EXPLAIN:  
▲:Revision Change  
I:Important Dimension  
①:Note

TOLERANCE:  
0.000:  
0.00 : ±0.20  
0.0 : ±0.30  
0. : ±0.40  
ANGLE: ±3.0°  
UNIT: mm

PART NO. DSC-9XMA-KIT  
APPROVED BY: ALBERTA  
CHECKED BY: EDEA  
DRAW BY: ALAN  
FILE NO. FIG03262-1  
SCALE: 1/1  
DATE: 1100409