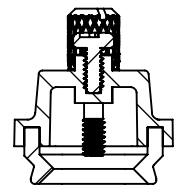
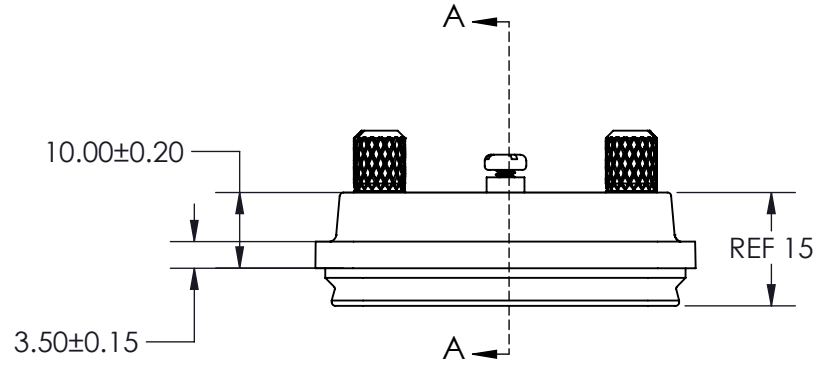
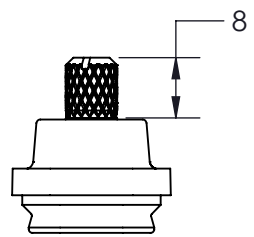
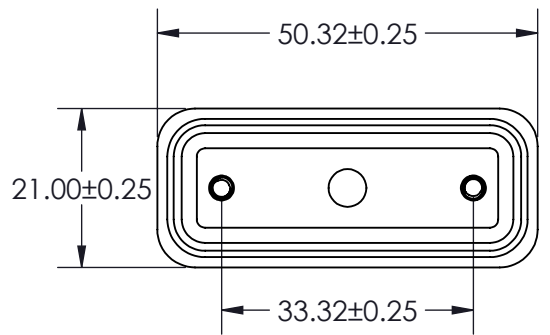


THIS IS A C.A.D. GENERATED DRAWING
DO NOT MAKE MANUAL REVISIONS TO MASTER.



ISSUE NUMBER	
ORIGINAL	①



SECTION A-A
SCALE 1 : 1



THIS SERIES FULLY CONFORMS TO THE EUROPEAN UNION DIRECTIVES 2002/95/EC AND 2002/96/EC FOR RoHS COMPLIANCY.

Materials and Finish

1. Body: ABS, UL94V-0, Black
2. Gasket: Silicon, Black
3. O-Ring: Silicon, Black
4. Thumb-Screw: #4-40 UNC, Nickel Plated
5. Screw: M3 X 0.6, Nickel Plated
6. Chain: SUS

DEGREE OF PROTECTION: IP67 AS PER IEC60529

Standard Density Waterproof D-Sub Connector COVER 627-229-015-010		ACAD REFERENCE NO. 627-229-015-010	
		DRAWN: R.STA.MONICA	DATE: June.4/13
		CHECKED:	DATE:
		SCALE: NTS	SHEET 1 OF 1
		DRAWING NUMBER 627-229-015-010	
		ISSUE 1	



EDAC INC
TORONTO, ONTARIO
CANADA
YOUR CONNECTION TO QUALITY & SERVICE

THESE DRAWINGS AND SPECIFICATIONS ARE THE PROPERTY OF EDAC INC. AND SHALL NOT BE REPRODUCED, OR COPIED OR USED AS THE BASIS FOR THE MANUFACTURE OR SALE OF APPARATUS WITHOUT WRITTEN PERMISSION.