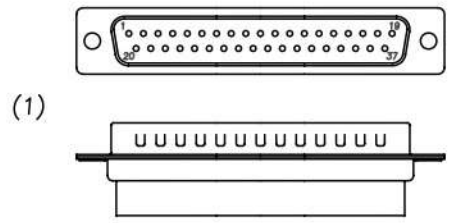
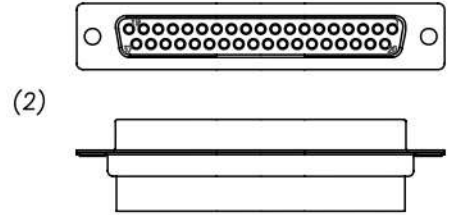
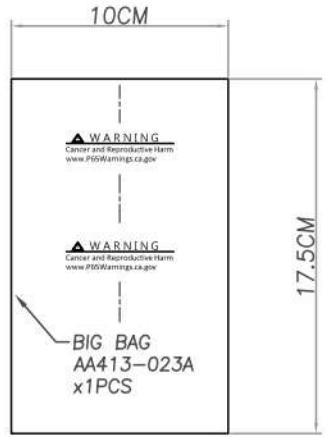
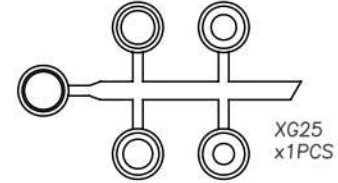
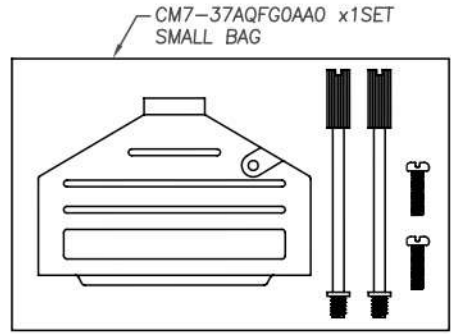


RoHS COMPLIANT

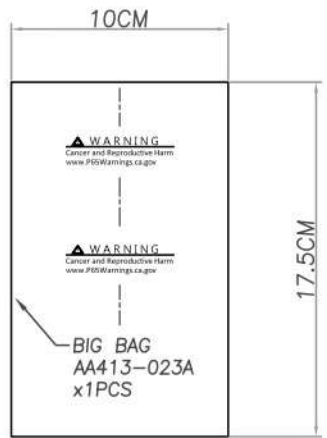
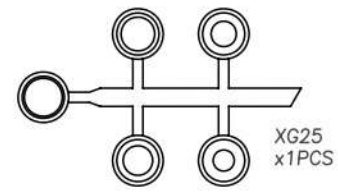
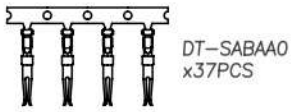
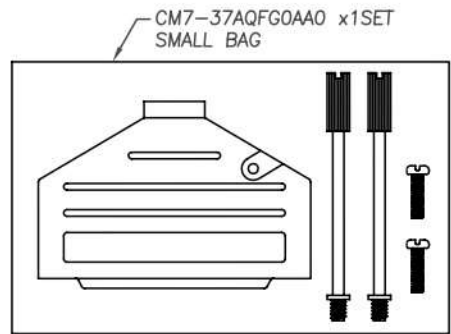
REV	DATE	DESCRIPTION
A	11/01/'23	(Official Drawing)



DH-37PKC00A0 x1PCS  
DCT-37MMD-KIT



DH-37SKC00A0 x1PCS  
DCT-37FMD-KIT



NO.	CC+ P/N	Internal P/N	ITEM P/N	DESCRIPTION	Q'TY	UNIT	PRODUCT PACKING
1	DCT-37MMD-KIT	DH-37PKC00PA	DH-37PKC00A0	D-SUB 37PIN CRIMP TYPE MALE	1	PCS	BIG BAG:17.5*10*0.05CM
			DT-PABAA0	CRIMP TYPE MALE TERMINAL	37	PCS	
			CM7-37AQFG0AA0	D-SUB 37PIN METAL HOOD OD:13.5MM	1	SET	
			XG25	GROMET	1	PCS	
2	DCT-37FMD-KIT	DH-37SKC00PA	DH-37SKC00A0	D-SUB 37PIN CRIMP TYPE FEMALE	1	PCS	BIG BAG:17.5*10*0.05CM
			DT-SABAA0	CRIMP TYPE FEMALE TERMINAL	37	PCS	
			CM7-37AQFG0AA0	D-SUB 37PIN METAL HOOD OD:13.5MM	1	SET	
			XG25	GROMET	1	PCS	

NOTE:  
**WARNING**  
Cancer and Reproductive Harm  
www.P65Warnings.ca.gov



MODEL NAME:  
Crimp Type Deluxe Shielded Metal Hood Kit

MARK EXPLAIN:  
 ⚠:Revision Change  
 I:Important Dimension  
 ①:Note

TOLERANCE:  
 0.000:  
 0.00 : ±0.20  
 0.0 : ±0.30  
 0. : ±0.40  
 ANGLE: ±3.0°  
 UNIT: mm

PART NO. DCT-37XMD-KIT

APPROVED BY: ARISA

CHECKED BY: ALAN

DRAW BY: ALAN

FILE NO.FIG03403

SCALE: 1/1

DATE : 1121101