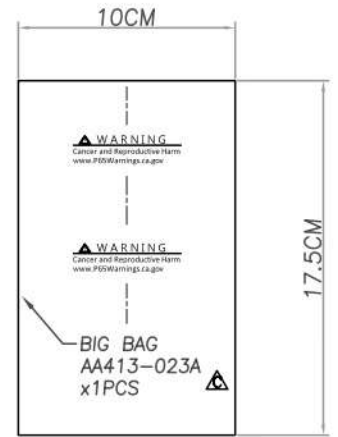
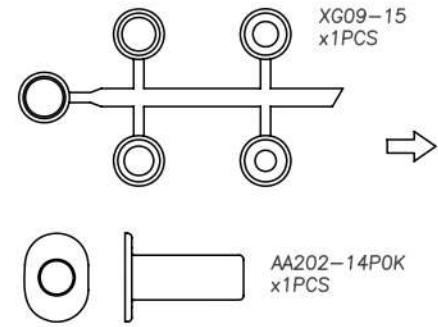
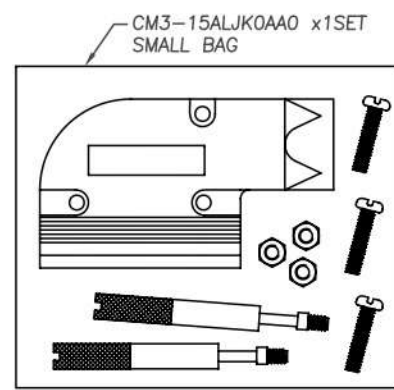
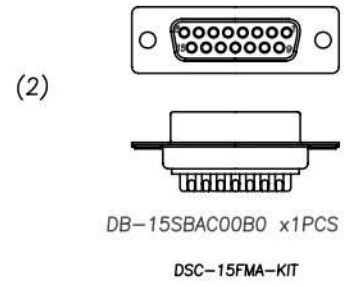
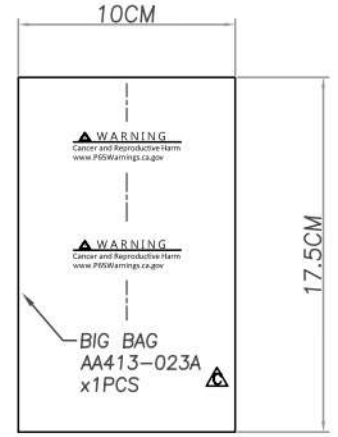
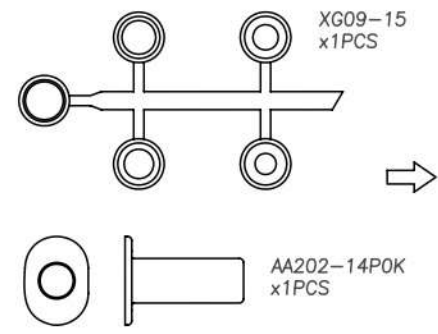
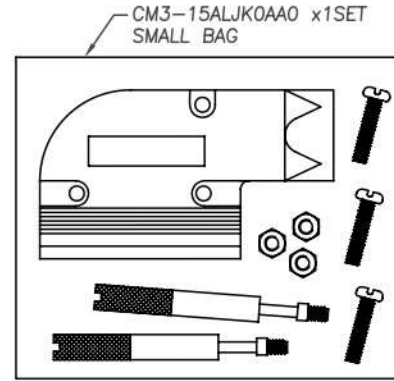
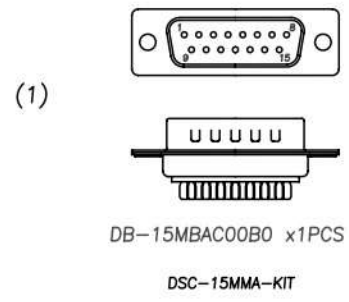


RoHS COMPLIANT

REV	DATE	DESCRIPTION
B	04/09/"21	OD9→OD11
C	06/24/"22	

Apply: Alberta



NO.	CC+ P/N	Internal P/N	ITEM P/N	DESCRIPTION	QTY	UNIT	PRODUCT PACKING
1	DSC-15MMA-KIT	DB-15MBAC00LC	DB-15MBAC00B0	D-SUB 15PIN SOLDER TYPE MALE	1	PCS	BIG BAG:17.5*10.*0.05CM
			CM3-15ALJK0AA0	D-SUB 15PIN METAL R/A HOOD OD:11MM	1	SET	
			XG09-15	GROMET	1	PCS	
			AA202-14POK	GROMET	1	PCS	
2	DSC-15FMA-KIT	DB-15SBAC00LC	DB-15SBAC00B0	D-SUB 15PIN SOLDER TYPE FEMALE	1	PCS	BIG BAG:17.5*10.*0.05CM
			CM3-15ALJK0AA0	D-SUB 15PIN METAL R/A HOOD OD:11MM	1	SET	
			XG09-15	GROMET	1	PCS	
			AA202-14POK	GROMET	1	PCS	

NOTE:

WARNING
Cancer and Reproductive Harm
www.P65Warnings.ca.gov



MODEL NAME:
Solder Type Shielded Metal Elbow Hood Kit

MARK EXPLAIN:
 ⚠:Revision Change
 I:Important Dimension
 ⓘ:Note

TOLERANCE:
 0.000:
 0.00 : ±0.20
 0.0 : ±0.30
 0. : ±0.40
 ANGLE: ±3.0°

PART NO. DSC-15XMA-KIT

APPROVED BY: ALBERTA

CHECKED BY: EDEA

DRAW BY: ALAN

FILE NO. FIG03263-1

SCALE: 1/1

DATE: 1100407