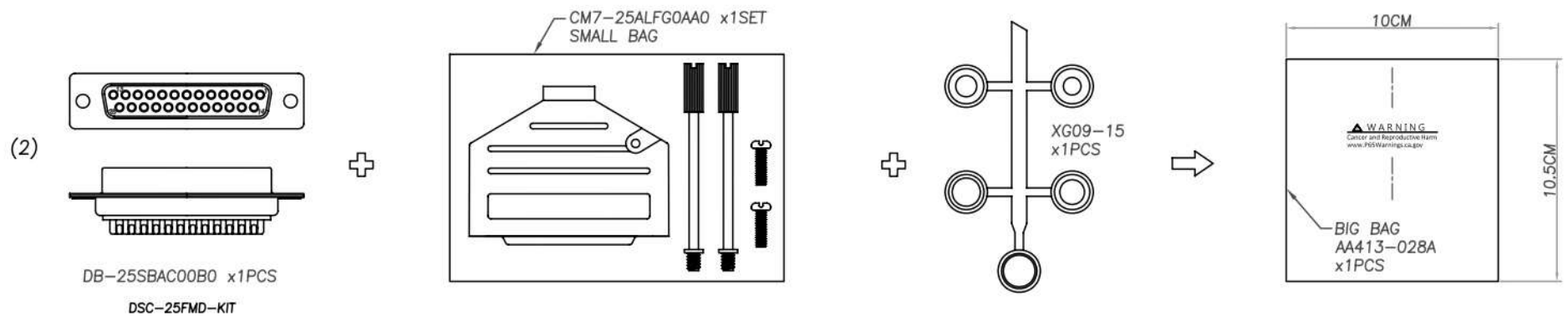
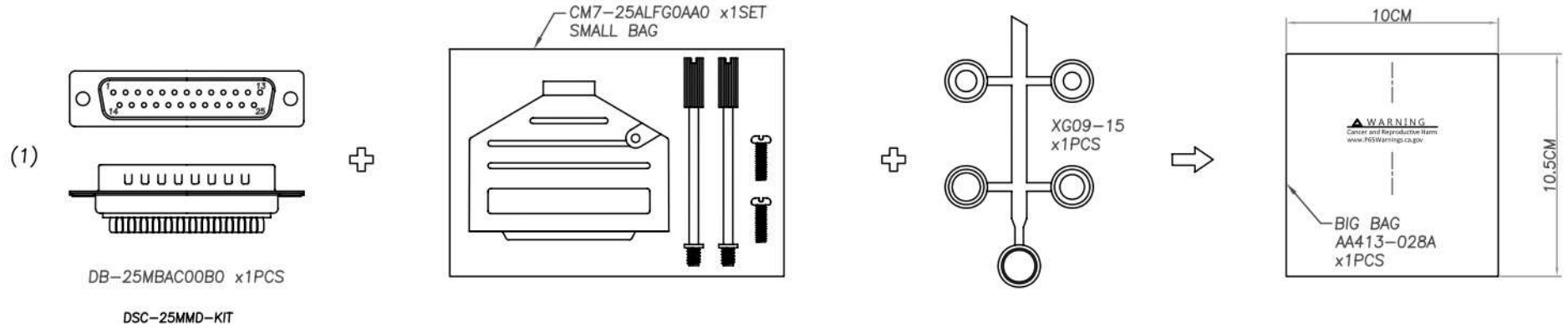


RoHS COMPLIANT

REV	DATE	DESCRIPTION
A	11/01/'23	(Official Drawing)



NO.	CC+ P/N	Internal P/N	ITEM P/N	DESCRIPTION	QTY	UNIT	PRODUCT PACKING
1	DSC-25MMD-KIT	DB-25MBAC00PA	DB-25MBAC00B0	D-SUB 25PIN SOLDER TYPE MALE	1	PCS	BIG BAG:10.5*10*0.05CM
			CM7-25ALFG0AA0	D-SUB 25PIN METAL HOOD OD:11MM	1	SET	
			XG09-15	GROMET	1	PCS	
2	DSC-25FMD-KIT	DB-25SBAC00PA	DB-25SBAC00B0	D-SUB 25PIN SOLDER TYPE FEMALE	1	PCS	BIG BAG:10.5*10*0.05CM
			CM7-25ALFG0AA0	D-SUB 25PIN METAL HOOD OD:11MM	1	SET	
			XG09-15	GROMET	1	PCS	

NOTE:  
**WARNING**  
 Cancer and Reproductive Harm  
[www.P65Warnings.ca.gov](http://www.P65Warnings.ca.gov)



MODEL NAME:  
 Solder Type Deluxe Shielded Metal Hood Kit

MARK EXPLAIN:  
 ⚠:Revision Change  
 I:Important Dimension  
 ①:Note

TOLERANCE:  
 0.000:  
 0.00 : ±0.20  
 0.0 : ±0.30  
 0. : ±0.40  
 ANGLE: ±3.0°

PART NO. DSC-25XMD-KIT  
 APPROVED BY: ARISA  
 CHECKED BY: ALAN  
 DRAW BY: ALAN  
 FILE NO. FIG03397  
 SCALE: 1/1  
 DATE : 1121101