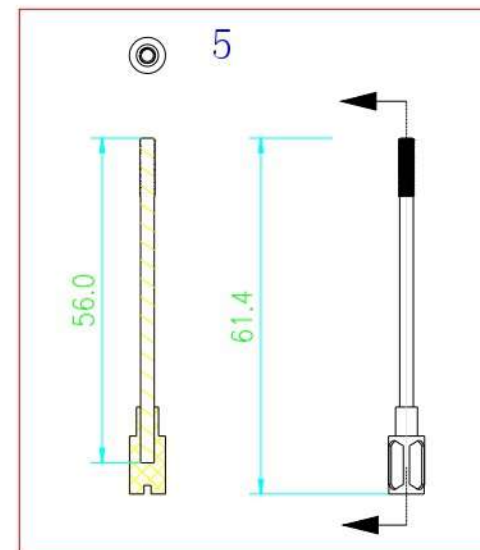
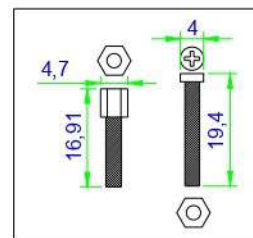
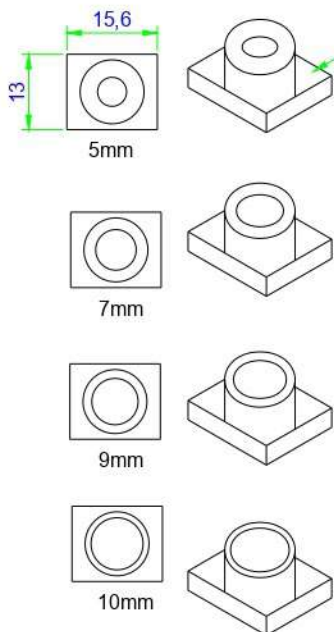
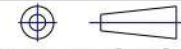


4 Different Sizes  
Select the size of the tail sleeve according to the size of the cable



No.	Item	Material	Qty
5	Long Screw	Nickel Plated Iron	2
4	Grommet	P.P.	4
3	Copper Terminal	3.81 Copper	1
2	9 Pin Connector	Male or Female	1
1	D-Sub 9 Pin Hood	Zinc Alloy Metal	1

**CompuCable**USA

TOLERANCE: X.X ±0.50 X.XX ±0.45 X.XXX ±0.35 X.' ±5' X.X' ±2'	DRAWN BY :	DATE :	PART NAME:	
			DTB-9XM-KIT	
 UNIT: mm [inch] SCALE:1:1 SIZE: A3	CHECKED BY :	DATE :	DRAW NO.	YX-2813
			PART NO.	
APPROVED BY :		DATE :	REMARK	
			MOLD NO.	