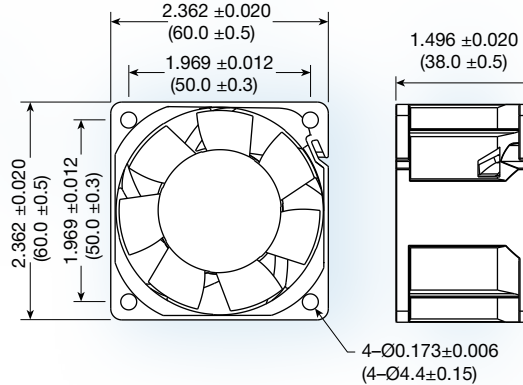
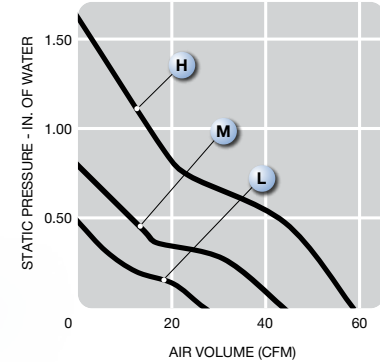


MS6038-S series



(60 x 60 x 38 mm)

2.36 x 2.36 x 1.50 inches



Features: soft start, polarity protection, auto-restart

Operating Voltage: 12, 24 and 48 VDC

Construction: UL94V-0 plastic impeller and plastic frame

Bearing option: ball bearing

Air Flow: air exhaust over struts

Options:

- tachometer;
- locked rotor alarm signal;
- PWM speed control;
- conformal coating;
- encapsulated motor (IP68)



Model No.	Rated Voltage VDC	Current A			Speed RPM	Air Volume		Max. Static Pressure (H ₂ O)		Sound Noise dBA	Weight g
		12	24	48		M ³ /Min.	CFM	MM	INCH		
MS6038L-S	12/24/48	0.27	0.13	0.09	6,000	0.91	32	11.89	0.47	46	104
MS6038M-S	12/24/48	0.58	0.32	0.14	8,000	1.24	44.1	20.73	0.81	54	104
MS6038H-S	12/24/48	1.35	0.58	0.33	11,000	1.64	58.0	40.60	1.60	59	104

*Additional performance levels available, contact Mechatronics for more options