

WIDE INPUT RANGE ISOLATED DC/DC CONVERTER 0.3" LOW PROFILE

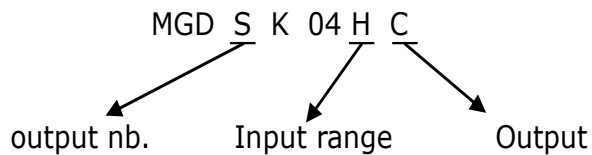
Description

The MGDK04 series features a Quality Cost Effective range of 4W board mounted isolated dc/dc converters. With multiple selection of wide input voltage ranges, the MGDK04 is proposed with a **single symmetrical or triple output channel**. The converter embeds an output short circuit protection, and comes encapsulated in a low profile fully potted **DIL 24** compliant metallic case.

Fields of Application

General purpose application
Transportation
Telecom
Renewable Energy

Part-numbering



S = single	C = 4.5-5.5	B = 3.3
B = double	H = 9-36	C = 5
T = Triple	I = 18-36	E = 12
	Q = 36-140	F = 15



Selection Guide

Part Number	Output Voltage (Vdc)	Output Power (Watt)	Output Current (Adc)	Part Number	Output Voltage (Vdc)	Output Power (Watt)	Output Current (Adc)
MGDSK04CC(Y)	5	4	0.8	MGDBK04CE	+/-12	4	+/-0.165
MGDSK04CC	5	4	0.8	MGDSK04HF	15	4	0.26
MGDBK04CC	+/-5	4	+/-0.4	MGDTK04ICF	+5 +/-15	4	0.4 +/-0.06
MGDSK04CF	15	4	0.26	MGDSK04QC(Y)	5	4	0.8
MGDBK04CE	+/-12	4	+/-0.165	MGDSK04QE(Y)	12	4	0.33
MGDBK04CF	+/-12	4	+/-0.165	MGDSK04QF(Y)	15	4	0.26
MGDSK04HB	3.3	3.3	1				
MGDSK04HC	5	4	0.8				
MGDSK04HE	12	4	0.33				

/Y = High isolation option

for more information go to <https://www.gaia-converter.com>

1-ELECTRICAL SPECIFICATIONS

Data are valid at +25°C, unless otherwise specified

Specification

Parameter	Conditions	Limit	Units	C input	H input	I input	Q input
INPUT							
Nominal Input Voltage (Ui nom)	Full temperature range	Nominal	Vdc	5	20	24	72
Input Voltage range	Full temperature range	Min.-Max.	Vdc	4.5-5.5	9-36	18-36	36-140
Transient Input Voltage	Full temperature range	Maximum	Vdc/s	5.5/1	36/1	36/1	175/0.1
Start up input voltage	Full temperature range	Maximum	Vdc		8.5	15.5	33
Power efficiency	Ui Nominal 75% load	Typical	%			80	
Input current in short circuit mode (Average)	Ui nominal (hic-up mode)	Maximum	mA		30	30	20
OUTPUT							
Set Point accuracy	Ui nom @75% load	Maximum	%			+/- 2	
Output regulation (Line)	25% to full load	Maximum	%			+/- 1.5	
Output regulation (Load)	Ui min. To Ui max 25% to full load 0% to 25% load	Maximum Typical	%			+/- 2.5 +20 to +/-2.5	
Minimum 10% load is recommended, operation with no load during more than 1s may partially damage the converter output.							
Output ripple voltage B output (3V3) C output (5V) E output (12V) F output (15V)	Ui min. To Ui max	Typical	mVpp			150 150 300 450	
Admissible capacitor B output (3V3) C output (5V) E output (12V) F output (15V)	Ui min. Full load (per output)	Maximum	µF			500 500 47 47	
MISCELLANEOUS							
Switching Frequency			Khz	480	480	480	430
Isolation Strength (Input output)	regular model /Y option model		Vdc			1500 3000	
EMC Compliance	With input capacitor With input filter					EN555032 class A EN555032 class B	

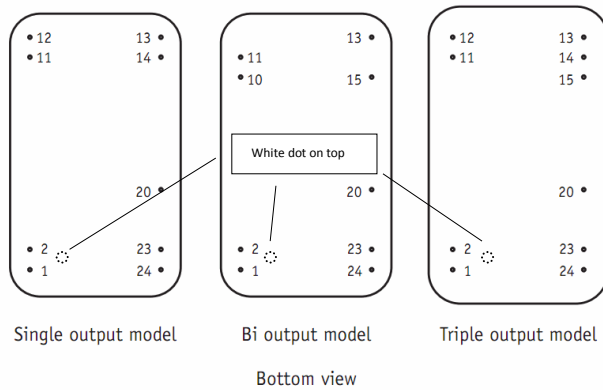
2-THERMAL & MECHANICAL SPECIFICATIONS

Parameter	Conditions	Limit	Units	Parameter
Case temperature range		Mini.Max.	°C	-40 to 95
Storage temperature range	Not operating	Mini.Max.	°C	110
Case Material	Regular model /Y model			Metallic black anodized coated Black plastic
Pin Material				Copper plated with pure matte tin over nickel underplate
Case to Air thermal resistance		Typical	°C/W	20

Connections

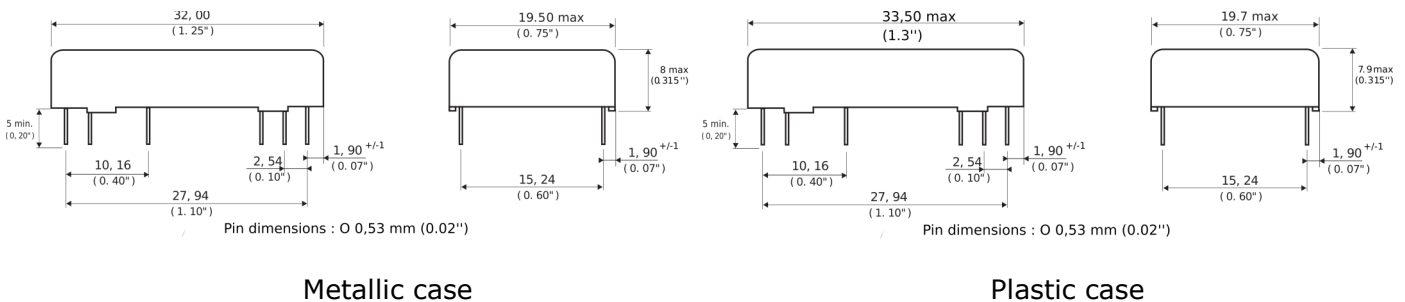
Pin#	MGDSK04 (Single)	MGDBK04 (Double)	MGDTK04 (Triple)
1	+Input (Vi)	+Input (Vi)	+Input (Vi)
2	+Input (Vi)	+Input (Vi)	+Input (Vi)
10	/	Common (Go)	
11	Common (Go)	Common (Go)	Common (Go)
12	Common (Go)	/	Common (Go)
13	Output (Vo)	Output(-Vo)	Output2(-V2)
14	Output (Vo)	/	Output1(V1)
15	/	Output+(+Vo)	Output2 (+V2)
20	On/off *	On/off *	On/off *
23	-Input (Gi)	-Input (Gi)	-Input (Gi)
24	-Input (Gi)	-Input (Gi)	-Input (Gi)

* Pin not available for Q input range models



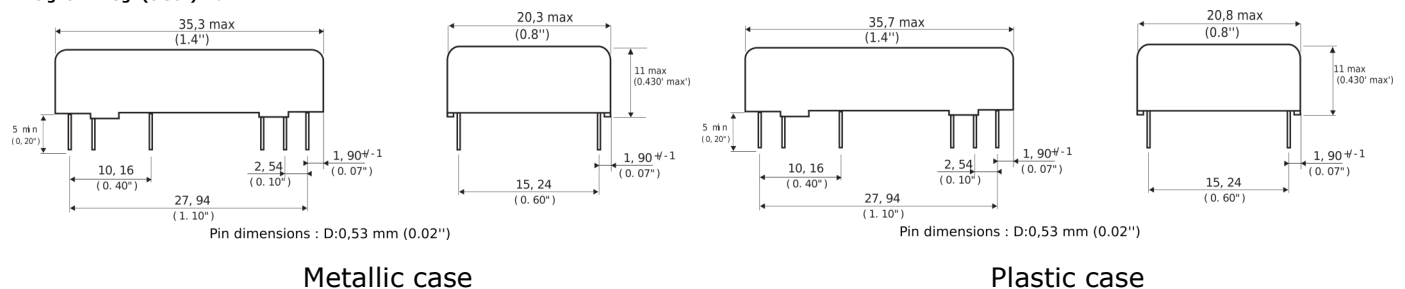
Dimension MGDSK04 & MGDBK04 serie (C,H,I input)

Dimension are given in mm (inches) . Tolerance : +/-0.25mm (0.01") unless otherwise specified
weight : < 15gr (0.5oz) max.



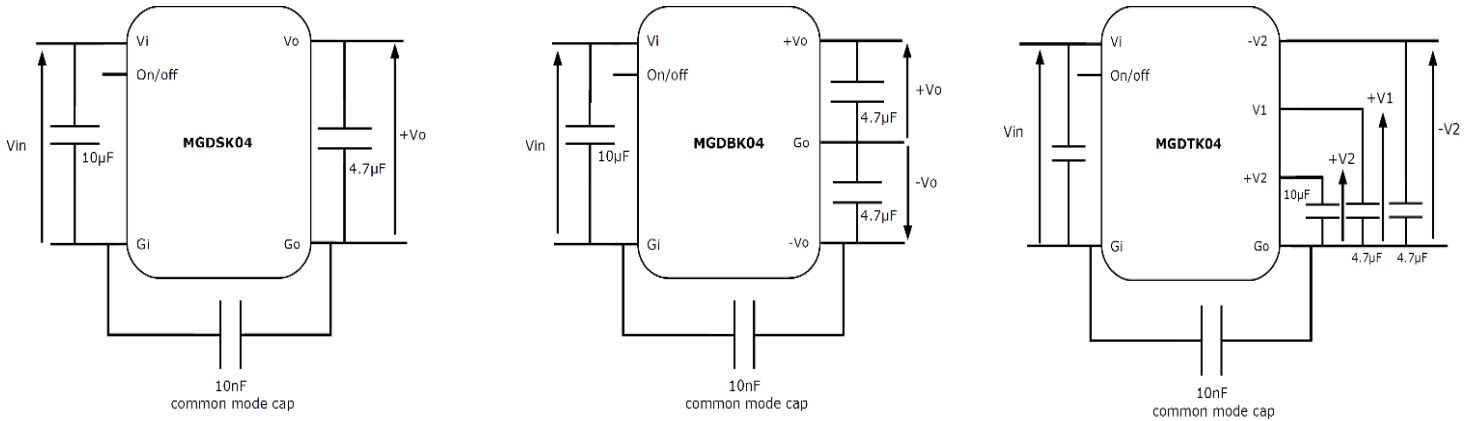
Dimension MGDTK04 serie, & Q input serie

Dimension are given in mm (inches) . Tolerance : +/-0.25mm (0.01") unless otherwise specified
weight : < 15gr (0.5oz) max.



3-APPLICATION

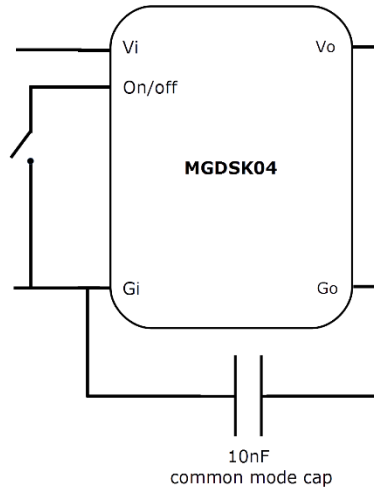
Typical connections



Input and output capacitor values are given as example of min values

ON-OFF FUNCTION

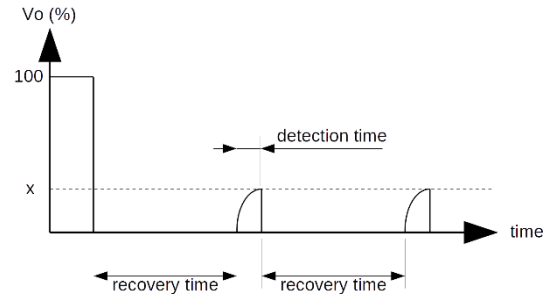
The converter is naturally enabled as far as the on/off pin remains unconnected. To disable the converter the pin on/off should be shorted to G_o using a switch, an open collector or open drain transistor. Several converters of the same input bus can be remotely controlled by the same signal just by connecting all the pins on/off together.



3-APPLICATION (continued)

OCP FUNCTION

The converter series incorporates an over current protection circuit. When the output current reaches a value above typically 200% of its full-rated current, the converter falls into hiccup mode by testing periodically if an overload is applied. The module restarts automatically to normal operation when overcurrent is removed.



International Headquarters	North American Headquarters
GAIA Converter - France	GAIA Converter Canada, Inc
18 rue caroline Aigle	4038 Le Corbusier Blvd
33186 LE HAILLAN - FRANCE	LAVAL, QUEBEC - CANADA H7L 5R2
Tel. : + (33)-5-57-92-12-80	Tel. : (514)-333-3169
Fax : + (33)-5-57-92-12-89	Fax : (514)-333-4519

Information given in this datasheet is believed to be accurate and reliable. However, no responsibility is assumed for the consequence of its use nor for any infringement of patents or other rights of third parties which may result from its use. These products are sold only according to GAIA Converter general conditions of sale, unless otherwise confirmed by writing. Specifications subject to change without notice.