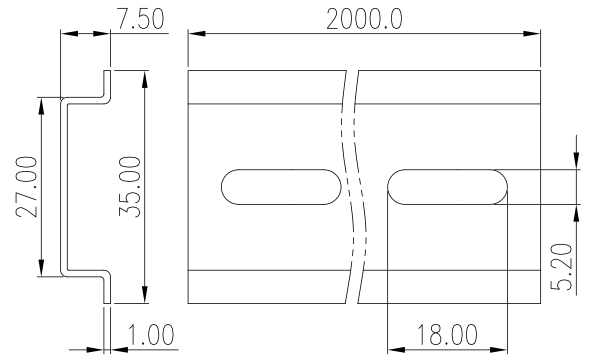


# TS-35-2000



DIN Rail Terminal Blocks > DIN Rail & DIN Rail Cutter



## Specification

Product description	DIN Rail
Material	Steel
Length	2000 mm
Width	35 mm
Height	7.5 mm
Compatible products	DP..Series, DK..N Series, DK..Series, AK..Series, DKB..Series, DKU..Series, DKM..Series
Package	20 pcs / pack