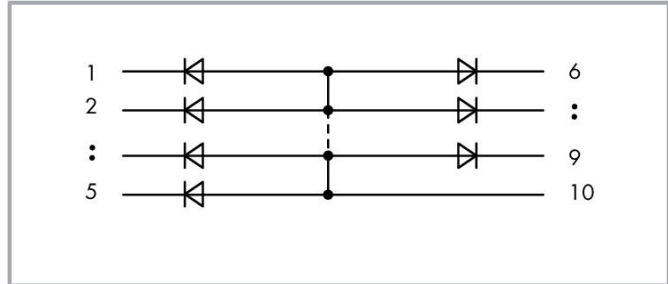


Data sheet | Item number: 286-807

Component module with diode; with 7 pcs; Diode 1N4007; with common anode; gray



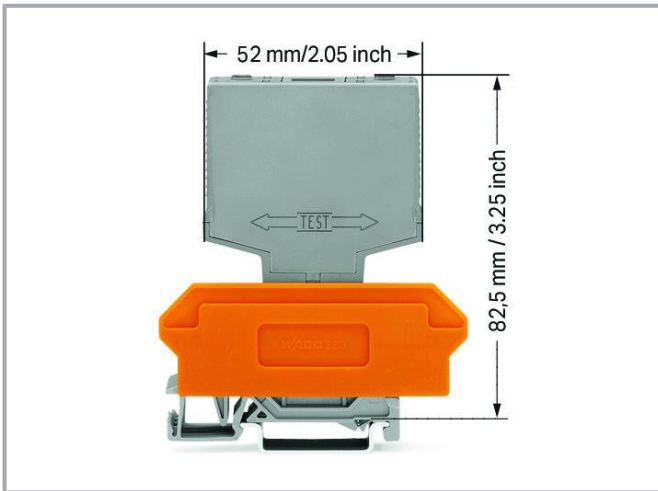
www.wago.com/286-807



Subject to changes. Please also observe the further product documentation!

WAGO GmbH & Co. KG
Hansastr. 27
32423 Minden
Phone: +49571 887-0 | Fax: +49571 887-169
Email: info.de@wago.com | Web: www.wago.com

Do you have any questions about our products?
We are always happy to take your call at +49 (571) 887-44222.



Data

Notes

Note	Max. permissible forward current per the manufacturer's data sheet. With all diodes loaded, the continuous current must be reduced to 0.45 A.
------	---

Electrical data

Operating voltage	≤ AC/DC 250 V
Peak reverse voltage	1000 V
Rectified current for each diode (resistive)	1 A
Rectified current for each diode (resistive)	1 A

Safety and protection

Rated voltage	250 V
Rated surge voltage	4 kV
Pollution degree	2

Physical data

Width	20 mm / 0.787 inches
Height from upper-edge of DIN-rail	82.5 mm / 3.25 inches
Depth	52 mm / 2.047 inches

Subject to changes. Please also observe the further product documentation!

WAGO GmbH & Co. KG
 Hansastr. 27
 32423 Minden
 Phone: +49571 887-0 | Fax: +49571 887-169
 Email: info.de@wago.com | Web: www.wago.com

Do you have any questions about our products?
 We are always happy to take your call at +49 (571) 887-44222.



Mechanical data

Mounting type	Pluggable module for receptacle terminal blocks
Housing design	Plug for carrier terminal blocks

Material data

Color	gray
Fire load	0.413 MJ
Weight	23 g

Environmental requirements

Ambient temperature (operation)	-25 ... +40 °C
Relative humidity	5 ... 95 % (no condensation permissible)
Operating altitude (max.)	2000 m

Commercial data

Product Group	6 (INTERFACE ELECTRONIC)
eCl@ss 10.0	27-37-12-92
eCl@ss 9.0	27-37-92-16
ETIM 8.0	EC002024
ETIM 7.0	EC002024
ECCN	NO DATA
PU (SPU)	10 (1) pcs
Packaging type	box
Country of origin	DE
GTIN	4045454198084
Customs tariff number	85369010000

Environmental Product Compliance


CAS-No.	7439-92-1 79-94-7
REACH Candidate List Substance	2,2',6,6'-tetrabromo-4,4'-isopropylidenediphenol Lead
RoHS Compliance Status	Compliant,With Exemption
RoHS Exemption	7(a) 7(c)-I 7(c)-II

Subject to changes. Please also observe the further product documentation!

SCIP notification number (Austria)	65ac8316-e37d-4c58-bb30-416abf4b60f3
SCIP notification number (Belgium)	20ff7050-194e-45c8-ac55-a2a5d952d042
SCIP notification number (Bulgaria)	d0c33f81-6d34-4d00-9ec2-54d7ae460503
SCIP notification number (Czech Republic)	07539d46-8d16-44e9-a26d-e3f913a3f86d
SCIP notification number (Denmark)	2f6f4612-3016-4674-9567-46c2a2a05a48
SCIP notification number (Finland)	ad93c21a-c3f6-4871-8bfc-98001f7916a4
SCIP notification number (France)	2ddb0758-73fb-4728-8a3f-fc7e1365094d
SCIP notification number (Germany)	532ce08e-068d-4731-ab8a-b05bb7d3dd75
SCIP notification number (Hungary)	f79d8925-01b8-4a40-b191-e4819bae3c78
SCIP notification number (Italy)	62312609-b561-4823-a357-01ee6f7be4c9
SCIP notification number (Netherlands)	923c7bb4-bbae-4f8b-8ada-27a1e2e52b2a
SCIP notification number (Poland)	68367116-ecba-4d56-a111-7a44368792ef
SCIP notification number (Romania)	390ad834-b628-4204-8480-73e7d0b531f2
SCIP notification number (Sweden)	aec73862-a4ce-4ea9-b7c4-91780c38a176

Approvals / Certificates

General approvals

Logo	Approval	Additional Approval Text	Certificate name
	EAC GZO Almaty Standart	TP TC 004/2011	EAC CoC 03078

Optional accessories

Terminal blocks

Terminal block for pluggable modules



Item no.: 280-628

Terminal block for pluggable modules; 8-pole; with 4-conductor terminal blocks; with orange separator; www.wago.com/280-628 for DIN-rail 35 x 15 and 35 x 7.5; 2.5 mm²; CAGE CLAMP®; 2,50 mm²; gray



Item no.: 280-638

Terminal block for pluggable modules; 8-pole; with 2-conductor terminal blocks; with orange separator; www.wago.com/280-638 for DIN-rail 35 x 15 and 35 x 7.5; 2.5 mm²; CAGE CLAMP®; 2,50 mm²; gray



Item no.: 280-764

Terminal block for pluggable modules; 8-pole; with 4-conductor terminal blocks; with marker carrier; www.wago.com/280-764 with orange separator; for DIN-rail 35 x 15 and 35 x 7.5; 2.5 mm²; CAGE CLAMP®; 2,50 mm²; gray

Marking accessories

Marker

Subject to changes. Please also observe the further product documentation!

WAGO GmbH & Co. KG

Hansastr. 27

32423 Minden

Phone: +49571 887-0 | Fax: +49571 887-169

Email: info.de@wago.com | Web: www.wago.com

Do you have any questions about our products?

We are always happy to take your call at +49 (571) 887-44222.



Item no.: 209-701

WSB marking card; as card; not stretchable; plain; snap-on type; white

Downloads

Documentation

Bid Text

286-807 X81 - Datei	2019 年2月20 日	xml 4.0 kB	Download
------------------------	--------------	---------------	----------

286-807 docx - Datei	2019 年2月20 日	docx 15.5 kB	Download
-------------------------	--------------	-----------------	----------

Instruction Leaflet

		pdf 1.3 MB	Download
--	--	---------------	----------

Additional Information

Disposal and Recycling Electrical and electronic equipment, Batteries, Packaging	V 1.1.0 2022 年8月18 日	pdf 2.2 MB	Download
---	-------------------------	---------------	----------

CAD/CAE-Data

CAE data

WSCAD Universe 286-807		URL	Download
------------------------	--	-----	----------

Environmental Product Compliance

Compliance Search

Environmental Product Compliance 286-807 Component module with diode; with 7 pcs; Diode 1N4007; with common anode; gray		URL	Download
--	--	-----	----------

Installation Notes

Subject to changes. Please also observe the further product documentation!