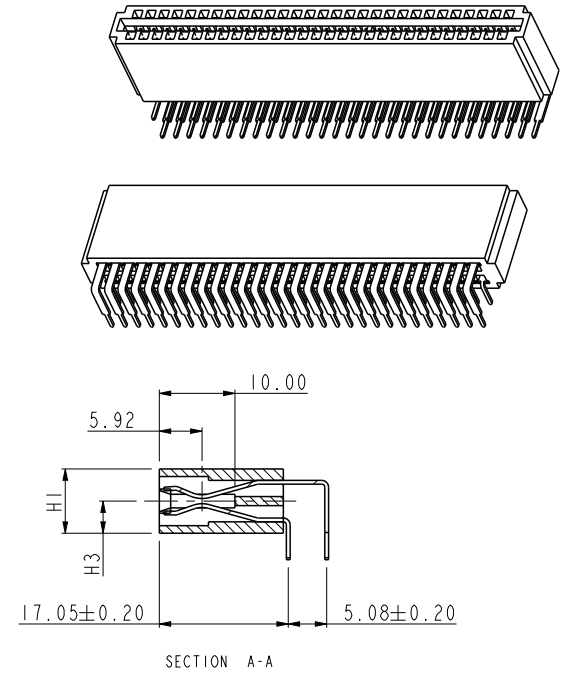
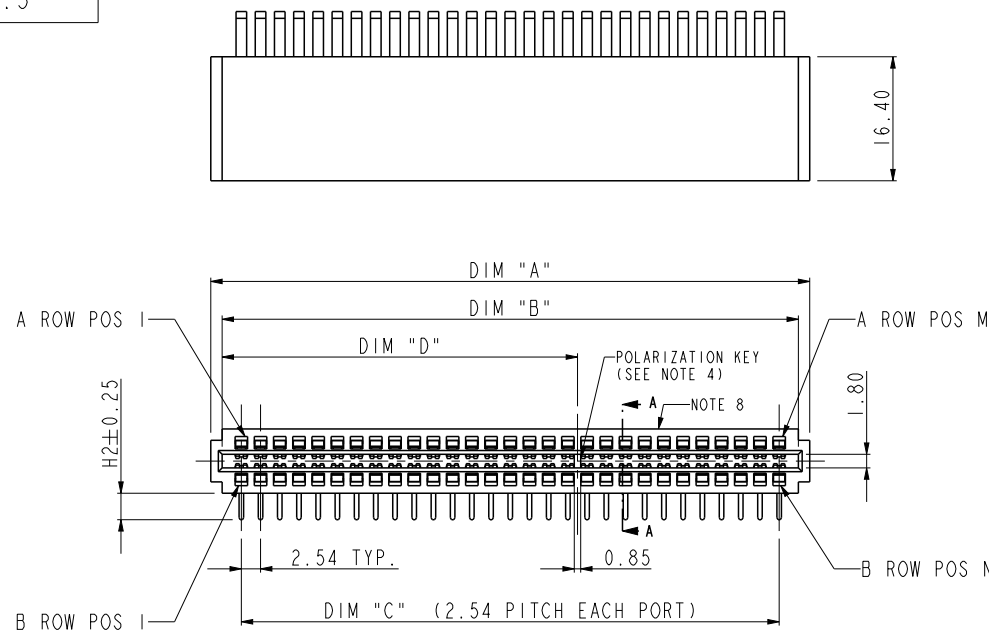


PRODUCT NO.
10035388-XXX_
NOTE: 5



NOTES:

- MATERIAL:
HOUSING: HIGH TEMPERATURE THERMOPLASTIC, UL 94 V-0 RATED, BLACK.
TERMINAL: HIGH CONDUCTIVITY COPPER ALLOY.
- PRODUCT SPECIFICATION: GS-12-259.
- PACKAGE SPECIFICATION: GS-14-937
- THERE IS NO POLARIZATION KEY IN 10035388-102/102A/103/104/105/106/107/108/110/114/119/120/121/122/123/125/126/126A/202/203/204/205/206/207/500/700/800/802/902/903/904/905/909/910/911/912/913.
- PLATING SPEC:
10035388-XXX:
POWER PIN: CONTACT AREA - 30u" GOLD OVER 50u" NICKEL UNDER PLATED.
SOLDER TAIL - 100u" TIN/LEAD OVER 50u" NICKEL UNDER PLATED.
AC TERMINAL: 50u" NICKEL UNDER PLATED; 30u" GOLD ON CONTACT AREA.
10035388-XXXLF:
POWER PIN: CONTACT AREA - 30u" GOLD OVER 50u" NICKEL UNDER PLATED.
SOLDER TAIL - 100u" PURE MATTE TIN OVER 50u" NICKEL UNDER PLATED.
AC TERMINAL: 50u" NICKEL UNDER PLATED; 30u" GOLD ON CONTACT AREA.

- P/N 10035388-XXXLF MEETS EUROPEAN UNION DIRECTIVE AND OTHER COUNTRY REGULATIONS AS DESCRIBED IN GS-22-008.
- THE HOUSING WILL WITHSTAND EXPOSURE TO 260°C PEAK TEMPERATURE FOR 10 SECONDS IN A WAVE SOLDER APPLICATION WITH A CIRCUIT BOARD.
- PRODUCT MARKING ON HOUSING IN AREA SHOWN MEETS AFCI SPECIFICATION: GS-24-007.

spec ref	*	dr	De-Ming Lu	2014/08/06		
tolerance std	TOLERANCES UNLESS OTHERWISE SPECIFIED	eng	Wei-Cheng Guo	2024/01/03		
ISO 406		r vwr	-	-		
ISO 1101		appr	Zheng, Pei-Min	2024/01/08		
ISO 1302		projection				
linear	0.X	±0.5	POWER EDGE CARD CONNECTOR			
angular	0.XX	±0.25			WITHOUT SIGNAL ASSY	
	0.XXX	±0.10				
0°	±2°	product family		-		

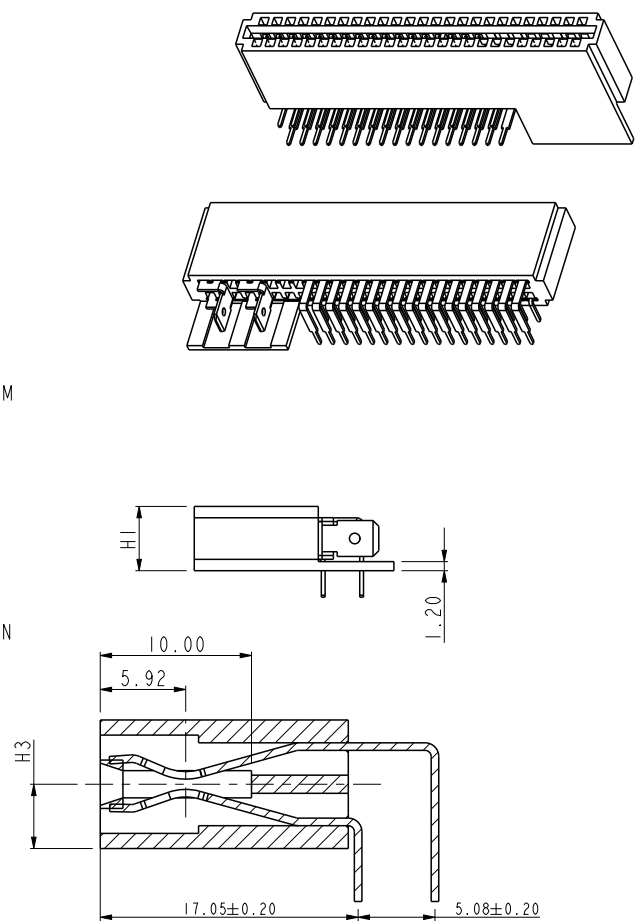
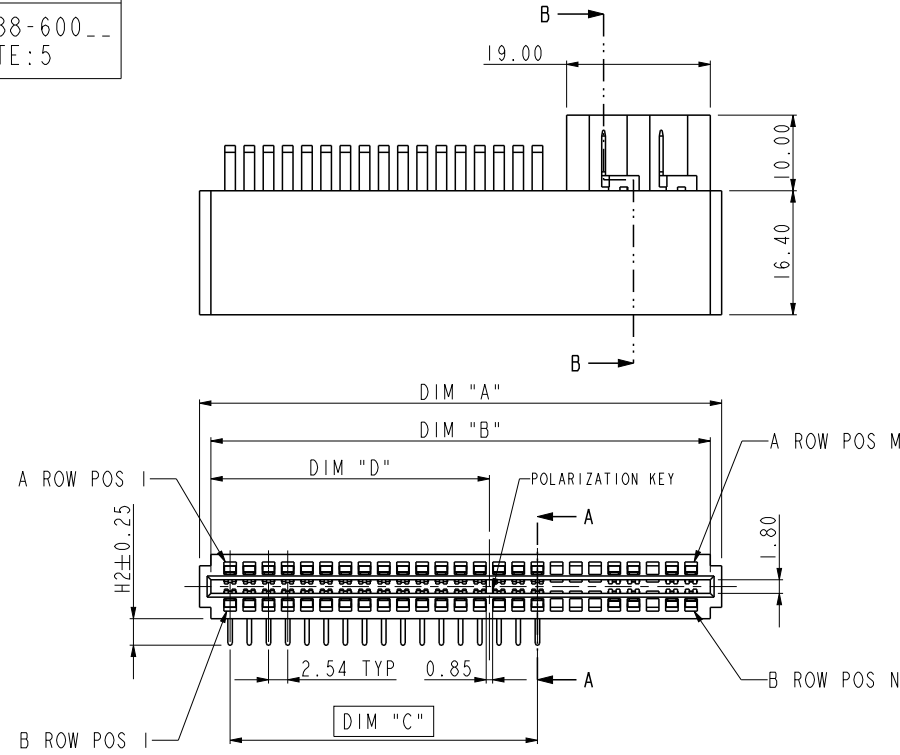
Amphenol Power Solutions

A Division of Amphenol Corporation amphenol-icc.com

MM	scale	size
	1:1	A4
ec n no	ELX-DG-50271-1	
rel level	Released	
dwg no	10035388	rev
cat. no.	-	AU
Product - Customer Drw		sheet 1 of 7

Creo File: APH-PWR-ACC; REV B; 2021-09-07

PRODUCT NO.
10035388-600__
NOTE: 5



NOTE:
(APPLY TO 10035388-600__ AS ADDITIONAL)

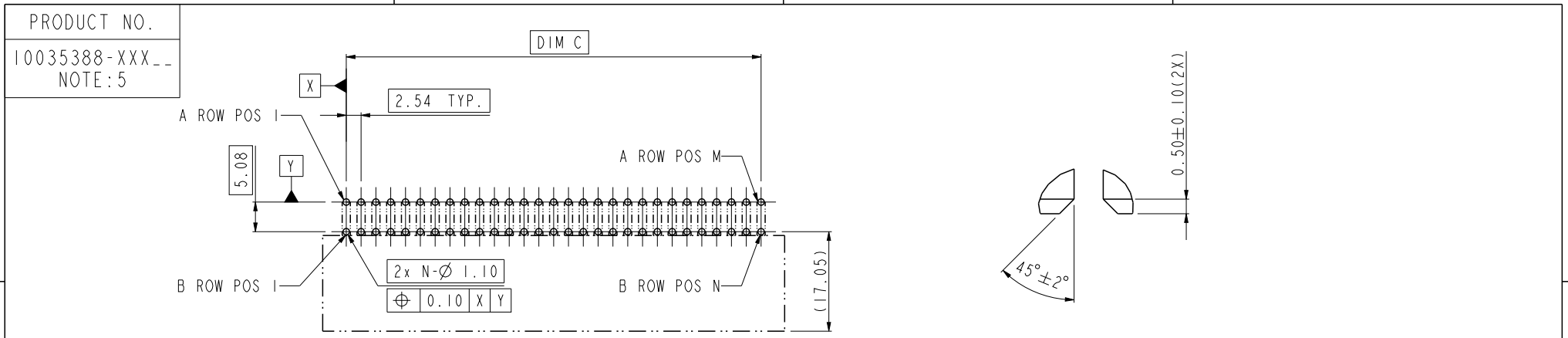
10. THE EMPTY POSITIONS ARE 18, 19, 20, 23.
11. THERE ARE 2 AC TERMINALS.

SECTION A-A
SCALE 2:1

SECTION B-B
SCALE 2:1

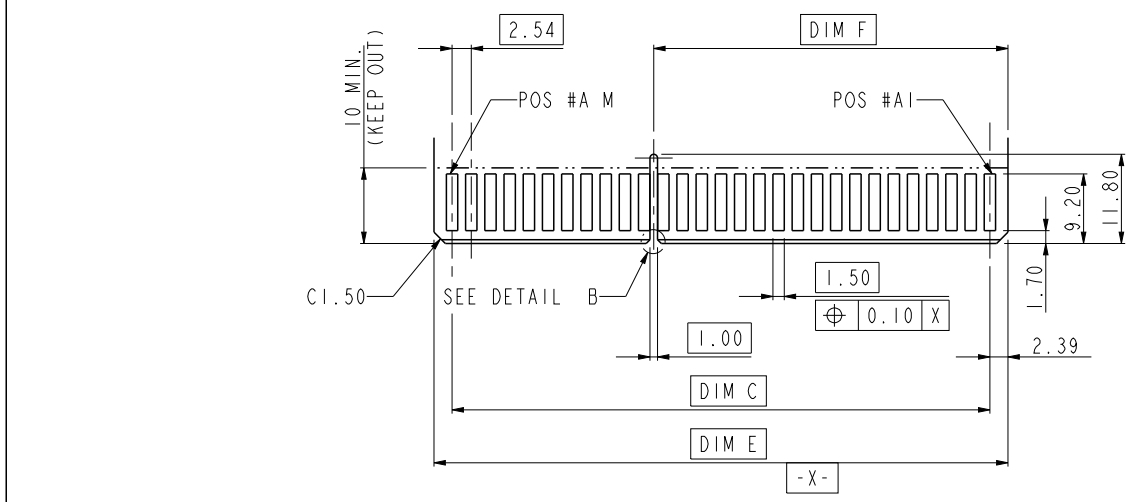
spec ref *		dr De-Ming Lu 2014/08/06		<h1 style="text-align: center;">Amphenol Power Solutions</h1> <p style="text-align: center;">A Division of Amphenol Corporation amphenol-icc.com</p>		MM		scale 1:1	size A4												
tolerance std		eng Wei-Cheng Guo 2024/01/03				ecn no ELX-DG-50271-1															
ISO 406 ISO 1101		r vwr - -				rel level Released															
TOLERANCES UNLESS OTHERWISE SPECIFIED		appr Zheng, Pei-Min 2024/01/08		title POWER EDGE CARD CONNECTOR		10035388		rev													
surface -		projection		WITHOUT SIGNAL ASSY		cat. no. -		AU													
ISO 1302		<table border="1"> <tr> <td>linear</td> <td>0.X</td> <td>±0.5</td> </tr> <tr> <td></td> <td>0.XX</td> <td>±0.25</td> </tr> <tr> <td></td> <td>0.XXX</td> <td>±0.10</td> </tr> <tr> <td>angular</td> <td>0°</td> <td>±2°</td> </tr> </table>		linear	0.X	±0.5		0.XX	±0.25		0.XXX	±0.10	angular	0°	±2°	product family - Product - Customer Drw		sheet 2 of 7			
linear	0.X	±0.5																			
	0.XX	±0.25																			
	0.XXX	±0.10																			
angular	0°	±2°																			

Creo File: APH-PWR-ACC; REV B; 2021-09-07



RECOMMENDED PCB LAYOUT

DETAIL B
SCALE 5:1



RECOMMENDED DAUGHTER CARD LAYOUT (TOP SIDE)

DETAIL A
SCALE 5:1

spec ref	*	dr	De-Ming Lu	2014/08/06		MM	scale	size
tolerance std	TOLERANCES UNLESS OTHERWISE SPECIFIED	eng	Wei-Cheng Guo	2024/01/03		←	1:1	A4
ISO 406		rvwr	-	-		→		
ISO 1101		appr	Zheng, Pei-Min	2024/01/08		ecn no	ELX-DG-50271-1	
surface	linear				A Division of Amphenol Corporation		rel level	Released
	angular	projection			amphenol-icc.com			
ISO 1302	0.X ±0.5	title			POWER EDGE CARD CONNECTOR		cat. no.	10035388
	0.XX ±0.25	WITHOUT SIGNAL ASSY			-			
	0.XXX ±0.10	product family			Product - Customer Drw		rev	AU
	0° ±2°	-			-		sheet 3 of 7	

Creo File: APH-PWR-ACC; REV B; 2021-09-07

	1	2					3			4																																											
	PRAT NO.	DIM"A"	DIM"B"	DIM"C"	DIM"D"	DIM"E"	DIM"F"	H1	H2	H3	PIN CONFIGURATION	M	N																																								
	10035388-400 10035388-400LF	61.42	58.42	53.34	29.21	58.12	29.06	8.50	3.50	4.25	ALL LOADED	22	22																																								
A	10035388-500 10035388-500LF	76.66	73.66	68.58	N/A	73.36	N/A	8.50	3.50	4.25	ALL LOADED	28	28																																								
	10035388-600 10035388-600LF	69.04	66.04	40.64	36.83	65.74	36.68	8.50	3.50	4.25	AI <table border="1"><tr><td>P</td><td>P</td><td>P</td><td>P</td><td>P</td><td>P</td><td>P</td><td>P</td><td>P</td><td>P</td><td>P</td><td>P</td><td>P</td><td>P</td><td>P</td><td>P</td><td>P</td><td>P</td><td>P</td><td>P</td></tr></table> A25 BI <table border="1"><tr><td>P</td><td>P</td><td>P</td><td>P</td><td>P</td><td>P</td><td>P</td><td>P</td><td>P</td><td>P</td><td>P</td><td>P</td><td>P</td><td>P</td><td>P</td><td>P</td><td>P</td><td>P</td><td>P</td><td>P</td></tr></table> B25	P	P	P	P	P	P	P	P	P	P	P	P	P	P	P	P	P	P	P	P	P	P	P	P	P	P	P	P	P	P	P	P	P	P	P	P	P	P	P	P	25	25
P	P	P	P	P	P	P	P	P	P	P	P	P	P	P	P	P	P	P	P																																		
P	P	P	P	P	P	P	P	P	P	P	P	P	P	P	P	P	P	P	P																																		
	10035388-700 10035388-700LF	86.82	83.82	78.74	N/A	83.52	N/A	8.50	3.50	4.25	ALL LOADED	32	32																																								
	10035388-800 10035388-800LF	48.72	45.72	40.64	N/A	45.42	N/A	8.50	3.50	4.25	ALL LOADED	17	17																																								
	10035388-802 10035388-802LF	48.72	45.72	40.64	N/A	45.42	N/A	8.50	3.50	4.25	AI <table border="1"><tr><td>P</td><td>P</td><td>P</td><td>P</td><td>P</td><td>P</td><td>P</td><td>P</td><td>P</td><td>P</td><td>P</td><td>P</td><td>P</td><td>P</td><td>P</td><td>P</td><td>P</td><td>P</td><td>P</td><td>P</td></tr></table> A17 BI <table border="1"><tr><td>P</td><td>P</td><td>P</td><td>P</td><td>P</td><td>P</td><td>P</td><td>P</td><td>P</td><td>P</td><td>P</td><td>P</td><td>P</td><td>P</td><td>P</td><td>P</td><td>P</td><td>P</td><td>P</td><td>P</td></tr></table> B17	P	P	P	P	P	P	P	P	P	P	P	P	P	P	P	P	P	P	P	P	P	P	P	P	P	P	P	P	P	P	P	P	P	P	P	P	P	P	P	P	17	17
P	P	P	P	P	P	P	P	P	P	P	P	P	P	P	P	P	P	P	P																																		
P	P	P	P	P	P	P	P	P	P	P	P	P	P	P	P	P	P	P	P																																		
	10035388-900 10035388-900LF	41.10	38.10	33.02	26.67	37.80	26.52	8.50	3.50	4.25	ALL LOADED	14	14																																								
B	10035388-903 10035388-903LF	94.44	91.44	86.36	N/A	91.14	N/A	8.50	3.50	4.25	AI <table border="1"><tr><td>P</td><td>P</td><td>P</td><td>P</td><td>P</td><td>P</td><td>P</td><td>P</td><td>P</td><td>P</td><td>P</td><td>P</td><td>P</td><td>P</td><td>P</td><td>P</td><td>P</td><td>P</td><td>P</td><td>P</td></tr></table> A35 BI <table border="1"><tr><td>P</td><td>P</td><td>P</td><td>P</td><td>P</td><td>P</td><td>P</td><td>P</td><td>P</td><td>P</td><td>P</td><td>P</td><td>P</td><td>P</td><td>P</td><td>P</td><td>P</td><td>P</td><td>P</td><td>P</td></tr></table> B35	P	P	P	P	P	P	P	P	P	P	P	P	P	P	P	P	P	P	P	P	P	P	P	P	P	P	P	P	P	P	P	P	P	P	P	P	P	P	P	P	35	35
P	P	P	P	P	P	P	P	P	P	P	P	P	P	P	P	P	P	P	P																																		
P	P	P	P	P	P	P	P	P	P	P	P	P	P	P	P	P	P	P	P																																		
	10035388-904 10035388-904LF	94.44	91.44	86.36	N/A	91.14	N/A	8.50	3.50	4.25	AI <table border="1"><tr><td>P</td><td>P</td><td>P</td><td>P</td><td>P</td><td>P</td><td>P</td><td>P</td><td>P</td><td>P</td><td>P</td><td>P</td><td>P</td><td>P</td><td>P</td><td>P</td><td>P</td><td>P</td><td>P</td><td>P</td></tr></table> A35 BI <table border="1"><tr><td>P</td><td>P</td><td>P</td><td>P</td><td>P</td><td>P</td><td>P</td><td>P</td><td>P</td><td>P</td><td>P</td><td>P</td><td>P</td><td>P</td><td>P</td><td>P</td><td>P</td><td>P</td><td>P</td><td>P</td></tr></table> B35	P	P	P	P	P	P	P	P	P	P	P	P	P	P	P	P	P	P	P	P	P	P	P	P	P	P	P	P	P	P	P	P	P	P	P	P	P	P	P	P	35	35
P	P	P	P	P	P	P	P	P	P	P	P	P	P	P	P	P	P	P	P																																		
P	P	P	P	P	P	P	P	P	P	P	P	P	P	P	P	P	P	P	P																																		
	10035388-905 10035388-905LF	94.44	91.44	86.36	N/A	91.14	N/A	8.50	3.50	4.25	ALL LOADED	35	35																																								
	10035388-907 10035388-907LF	53.80	50.80	45.72	26.67	50.50	26.52	8.50	3.50	4.25	ALL LOADED	19	19																																								
	10035388-908 10035388-908LF	61.42	58.42	53.34	29.21	58.12	29.06	8.50	3.50	4.25	AI <table border="1"><tr><td>P</td><td>P</td><td>P</td><td>P</td><td>P</td><td>P</td><td>P</td><td>P</td><td>P</td><td>P</td><td>P</td><td>P</td><td>P</td><td>P</td><td>P</td><td>P</td><td>P</td><td>P</td><td>P</td><td>P</td></tr></table> A22 BI <table border="1"><tr><td>P</td><td>P</td><td>P</td><td>P</td><td>P</td><td>P</td><td>P</td><td>P</td><td>P</td><td>P</td><td>P</td><td>P</td><td>P</td><td>P</td><td>P</td><td>P</td><td>P</td><td>P</td><td>P</td><td>P</td></tr></table> B22	P	P	P	P	P	P	P	P	P	P	P	P	P	P	P	P	P	P	P	P	P	P	P	P	P	P	P	P	P	P	P	P	P	P	P	P	P	P	P	P	22	22
P	P	P	P	P	P	P	P	P	P	P	P	P	P	P	P	P	P	P	P																																		
P	P	P	P	P	P	P	P	P	P	P	P	P	P	P	P	P	P	P	P																																		
C	10035388-909 10035388-909LF	48.72	45.72	40.64	N/A	45.42	N/A	8.50	3.50	4.25	AI <table border="1"><tr><td>P</td><td>P</td><td>P</td><td>P</td><td>P</td><td>P</td><td>P</td><td>P</td><td>P</td><td>P</td><td>P</td><td>P</td><td>P</td><td>P</td><td>P</td><td>P</td><td>P</td><td>P</td><td>P</td><td>P</td></tr></table> A17 BI <table border="1"><tr><td>P</td><td>P</td><td>P</td><td>P</td><td>P</td><td>P</td><td>P</td><td>P</td><td>P</td><td>P</td><td>P</td><td>P</td><td>P</td><td>P</td><td>P</td><td>P</td><td>P</td><td>P</td><td>P</td><td>P</td></tr></table> B17	P	P	P	P	P	P	P	P	P	P	P	P	P	P	P	P	P	P	P	P	P	P	P	P	P	P	P	P	P	P	P	P	P	P	P	P	P	P	P	P	17	17
P	P	P	P	P	P	P	P	P	P	P	P	P	P	P	P	P	P	P	P																																		
P	P	P	P	P	P	P	P	P	P	P	P	P	P	P	P	P	P	P	P																																		
	10035388-910 10035388-910LF	94.44	91.44	86.36	N/A	91.14	N/A	8.50	3.50	4.25	AI <table border="1"><tr><td>P</td><td>P</td><td>P</td><td>P</td><td>P</td><td>P</td><td>P</td><td>P</td><td>P</td><td>P</td><td>P</td><td>P</td><td>P</td><td>P</td><td>P</td><td>P</td><td>P</td><td>P</td><td>P</td><td>P</td></tr></table> A35 BI <table border="1"><tr><td>P</td><td>P</td><td>P</td><td>P</td><td>P</td><td>P</td><td>P</td><td>P</td><td>P</td><td>P</td><td>P</td><td>P</td><td>P</td><td>P</td><td>P</td><td>P</td><td>P</td><td>P</td><td>P</td><td>P</td></tr></table> B35	P	P	P	P	P	P	P	P	P	P	P	P	P	P	P	P	P	P	P	P	P	P	P	P	P	P	P	P	P	P	P	P	P	P	P	P	P	P	P	P	35	35
P	P	P	P	P	P	P	P	P	P	P	P	P	P	P	P	P	P	P	P																																		
P	P	P	P	P	P	P	P	P	P	P	P	P	P	P	P	P	P	P	P																																		
	10035388-911 10035388-911LF	53.80	50.80	45.72	N/A	50.50	N/A	8.50	3.50	4.25	ALL LOADED	19	19																																								
	10035388-912 10035388-912LF	41.10	38.10	33.02	N/A	37.80	N/A	8.50	3.50	4.25	AI <table border="1"><tr><td>P</td><td>P</td><td>P</td><td>P</td><td>P</td><td>P</td><td>P</td><td>P</td><td>P</td><td>P</td><td>P</td><td>P</td><td>P</td><td>P</td><td>P</td><td>P</td><td>P</td><td>P</td><td>P</td><td>P</td></tr></table> A14 BI <table border="1"><tr><td>P</td><td>P</td><td>P</td><td>P</td><td>P</td><td>P</td><td>P</td><td>P</td><td>P</td><td>P</td><td>P</td><td>P</td><td>P</td><td>P</td><td>P</td><td>P</td><td>P</td><td>P</td><td>P</td><td>P</td></tr></table> B14	P	P	P	P	P	P	P	P	P	P	P	P	P	P	P	P	P	P	P	P	P	P	P	P	P	P	P	P	P	P	P	P	P	P	P	P	P	P	P	P	14	14
P	P	P	P	P	P	P	P	P	P	P	P	P	P	P	P	P	P	P	P																																		
P	P	P	P	P	P	P	P	P	P	P	P	P	P	P	P	P	P	P	P																																		

spec ref	*	dr	De-Ming Lu	2014/08/06	Amphenol Power Solutions	MM	scale	size
tolerance std	TOLERANCES UNLESS OTHERWISE SPECIFIED	eng	Wei-Cheng Guo	2024/01/03		←	1:1	A4
ISO 406		r vwr	-	-		ec n no	ELX-DG-50271-1	
ISO 1101		appr	Zheng, Pei-Min	2024/01/08		rel level	Released	
surface	linear	projection		POWER EDGE CARD CONNECTOR	cat. no.	10035388	rev	
	angular			WITHOUT SIGNAL ASSY		-	AU	
ISO 1302	0.X ±0.5 0.XX ±0.25 0.XXX ±0.10 0° ±2°	product family	-	Product - Customer Drw	sheet 5 of 7			


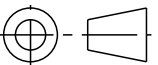
Creo File:APH-PWR-ACC;REV B;2021-09-07

	PRAT NO.	DIM"A"	DIM"B"	DIM"C"	DIM"D"	DIM"E"	DIM"F"	H1	H2	H3	PIN CONFIGURATION	M	N
A	10035388-107 10035388-107LF	69.04	66.04	60.96	N/A	65.74	N/A	8.50	3.50	4.25	A1 A25 B1 B25	25	25
	10035388-913 10035388-913LF	25.86	22.86	17.78	N/A	22.56	N/A	8.50	3.50	4.25	ALL LOADED	8	8
	10035388-902 10035388-902LF	94.44	91.44	86.36	N/A	91.14	N/A	8.50	3.50	4.25	A1 A35 B1 B35	35	35
B	10035388-108 10035388-108LF	69.04	66.04	60.96	N/A	65.74	N/A	8.50	3.50	4.25	A1 A25 B1 B25	25	25
	10035388-206 10035388-206LF	84.28	81.28	76.20	N/A	80.98	N/A	8.50	3.50	4.25	A1 A31 B1 B31	31	31
	10035388-110 10035388-110LF	69.04	66.04	60.96	N/A	65.74	N/A	8.50	3.50	4.25	A1 A25 B1 B25	25	25
C	10035388-204 10035388-204LF	81.74	78.74	73.66	N/A	78.44	N/A	8.50	3.50	4.25	ALL LOADED	30	30
	10035388-114 10035388-114LF	41.10	38.10	33.02	N/A	37.80	N/A	8.50	3.50	4.25	ALL LOADED	14	14
	10035388-119 10035388-119LF	94.44	91.44	86.36	N/A	91.14	N/A	8.50	3.50	4.25	A1 A35 B1 B35	35	35
D	10035388-120 10035388-120LF	69.04	66.04	60.96	N/A	65.74	N/A	8.50	3.50	4.25	A1 A25 B1 B25	25	25
	10035388-121 10035388-121LF	48.72	45.72	40.64	N/A	45.42	N/A	8.50	3.50	4.25	A1 A17 B1 B17	17	17
	10035388-122 10035388-122LF	76.66	73.66	68.58	N/A	73.36	N/A	8.50	3.50	4.25	A1 A28 B1 B28	28	28
E	10035388-123 10035388-123LF	69.04	66.04	60.69	N/A	65.74	N/A	8.50	3.50	4.25	A1 A25 B1 B25	25	25
	10035388-125 10035388-125LF	41.10	38.10	33.02	N/A	37.80	N/A	8.50	3.50	4.25	A1 A14 B1 B14	14	14
	10035388-126 10035388-126LF	41.10	38.10	33.02	N/A	37.80	N/A	8.50	3.50	4.25	A1 A14 B1 B14	14	14
	10035388-207 10035388-207LF	81.74	78.74	73.66	N/A	78.44	N/A	8.50	3.50	4.25	A1 A30 B1 B30	30	30

spec ref	*	dr	De-Ming Lu	2014/08/06		MM	scale	size
tolerance std	TOLERANCES UNLESS OTHERWISE SPECIFIED	eng	Wei-Cheng Guo	2024/01/03		←	1:1	A4
ISO 406		r vwr	-	-		ec n no	ELX-DG-50271-1	
ISO 1101		appr	Zheng, Pei-Min	2024/01/08		rel level	Released	
surface	linear	0.X	±0.5		POWER EDGE CARD CONNECTOR WITHOUT SIGNAL ASSY	cat. no.	10035388	rev
	angular	0°	±2°					
ISO 1302		product family	-	Product - Customer Drw	sheet 6 of 7			

Creo File:APH-PWR-ACC;REV B;2021-09-07

PRAT NO.	DIM"A"	DIM"B"	DIM"C"	DIM"D"	DIM"E"	DIM"F"	H1	H2	H3	PIN CONFIGURATION	M	N																																								
10035388-126A 10035388-126ALF	41.10	38.10	33.02	N/A	37.80	N/A	8.50	5.00	4.25	AI <table border="1"><tr><td>P</td><td>P</td><td>P</td><td>P</td><td>P</td><td>P</td><td>P</td><td>P</td><td>P</td><td>P</td></tr></table> A14 BI <table border="1"><tr><td>P</td><td>P</td><td>P</td><td>P</td><td>P</td><td>P</td><td>P</td><td>P</td><td>P</td><td>P</td></tr></table> B14	P	P	P	P	P	P	P	P	P	P	P	P	P	P	P	P	P	P	P	P	14	14																				
P	P	P	P	P	P	P	P	P	P																																											
P	P	P	P	P	P	P	P	P	P																																											
10035388-400A 10035388-400ALF	61.42	58.42	53.34	29.21	58.12	29.06	8.50	5.00	4.25	ALL LOADED	22	22																																								
10035388-102A 10035388-102ALF	69.04	66.04	60.96	N/A	65.74	N/A	8.50	5.00	4.25	ALL LOADED	25	25																																								
10035388-501LF	81.74	78.74	73.66	N/A	78.44	N/A	8.50	3.50	4.25	AI <table border="1"><tr><td>P</td><td>P</td><td>P</td><td>P</td><td>P</td><td>P</td><td>P</td><td>P</td><td>P</td><td>P</td><td>P</td><td>P</td><td>P</td><td>P</td><td>P</td><td>P</td><td>P</td><td>P</td><td>P</td><td>P</td></tr></table> A30 BI <table border="1"><tr><td>P</td><td>P</td><td>P</td><td>P</td><td>P</td><td>P</td><td>P</td><td>P</td><td>P</td><td>P</td><td>P</td><td>P</td><td>P</td><td>P</td><td>P</td><td>P</td><td>P</td><td>P</td><td>P</td><td>P</td></tr></table> B30	P	P	P	P	P	P	P	P	P	P	P	P	P	P	P	P	P	P	P	P	P	P	P	P	P	P	P	P	P	P	P	P	P	P	P	P	P	P	P	P	30	30
P	P	P	P	P	P	P	P	P	P	P	P	P	P	P	P	P	P	P	P																																	
P	P	P	P	P	P	P	P	P	P	P	P	P	P	P	P	P	P	P	P																																	

spec ref *		dr De-Ming Lu 2014/08/06				MM		scale 1:1		size A4	
tolerance std		eng Wei-Cheng Guo 2024/01/03				ecn no ELX-DG-50271-1					
ISO 406 ISO 1101		r vwr -				rel level Released					
surface -		0.X ±0.5		projection		title POWER EDGE CARD CONNECTOR		dmg no 10035388		rev	
ISO 1302		0.XX ±0.25				WITHOUT SIGNAL ASSY		cat. no. -		AU	
		0.XXX ±0.10				product family -		Product - Customer Drw		sheet 7 of 7	
		angular 0° ±2°									

Creo File:APH-PWR-ACC;REV B;2021-09-07