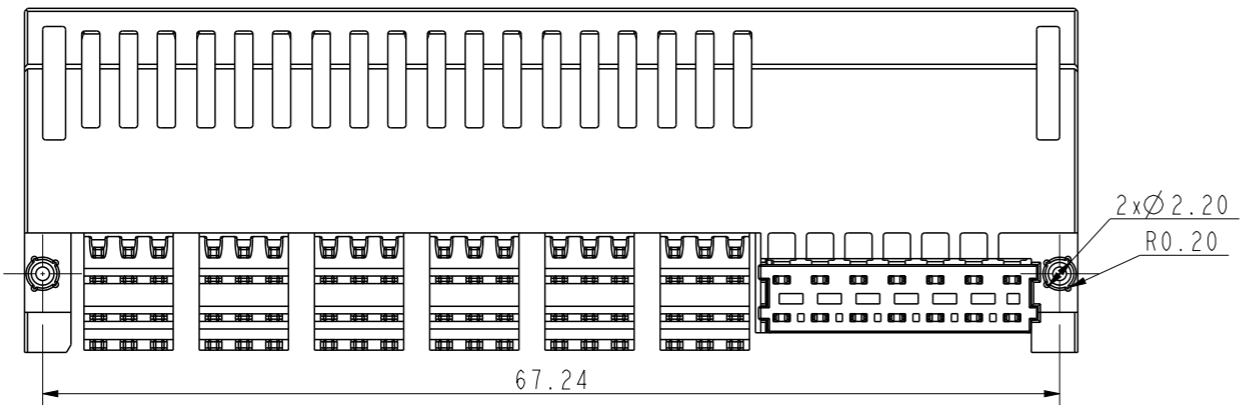
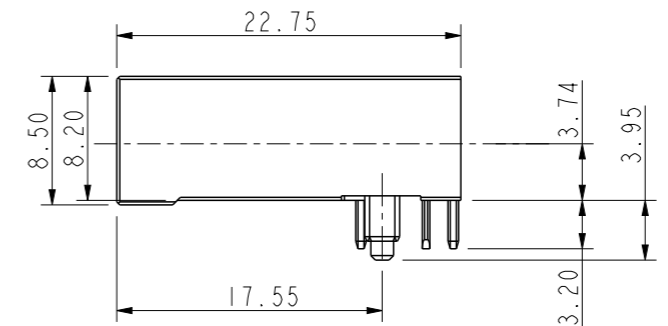
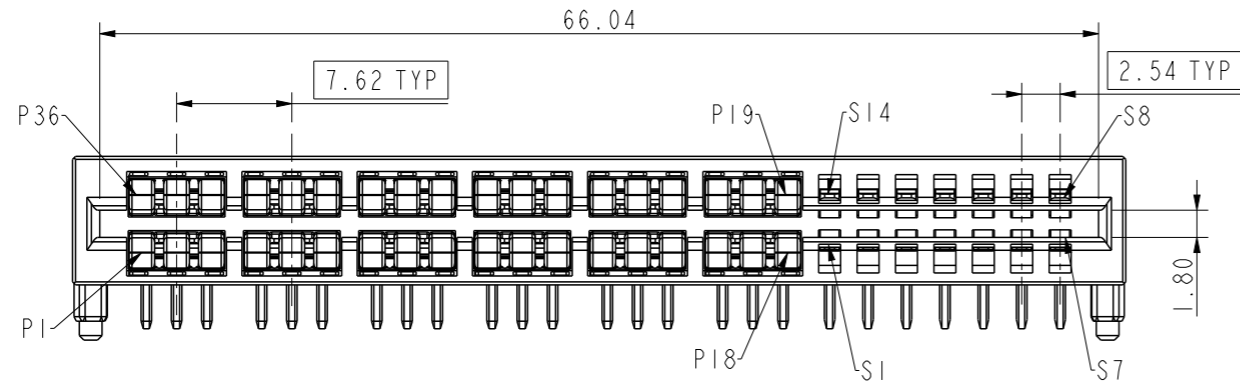
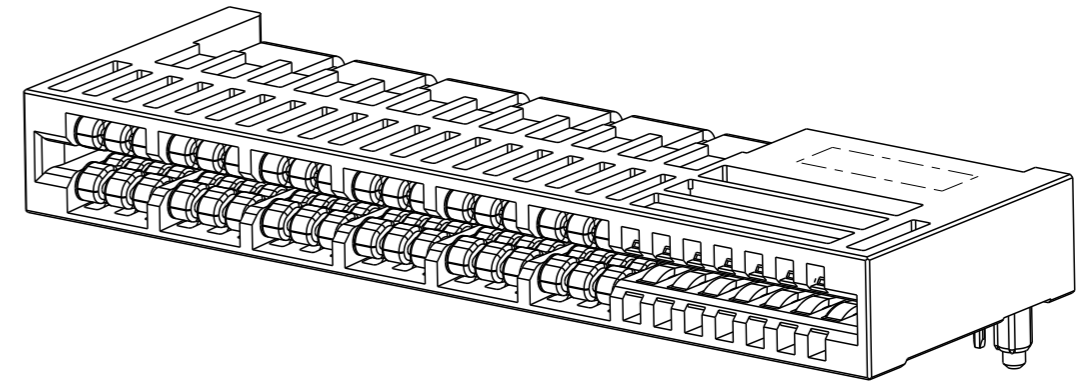
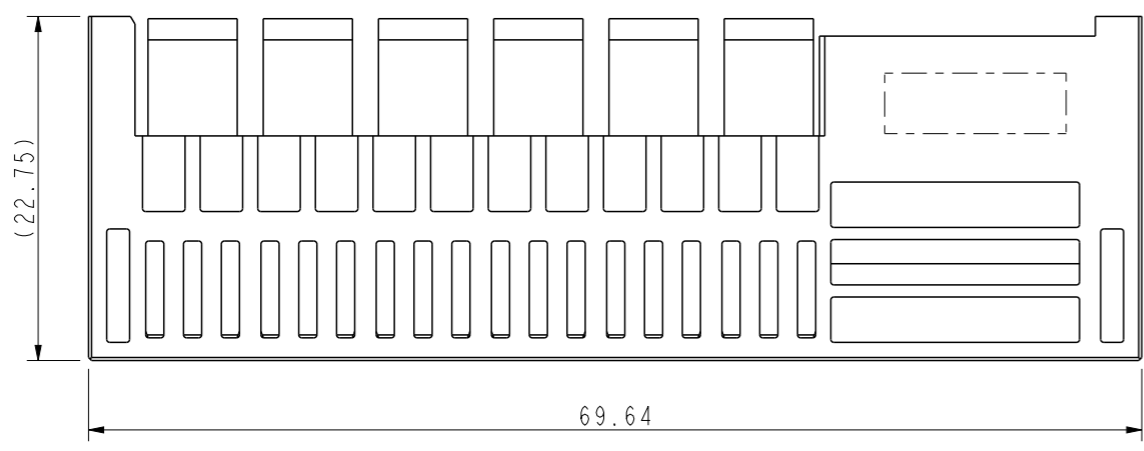


revision history				
rev	ecn no	description	dr	date
A	ELX-CD-F2977-1	Official Release	Van	2022/07/21



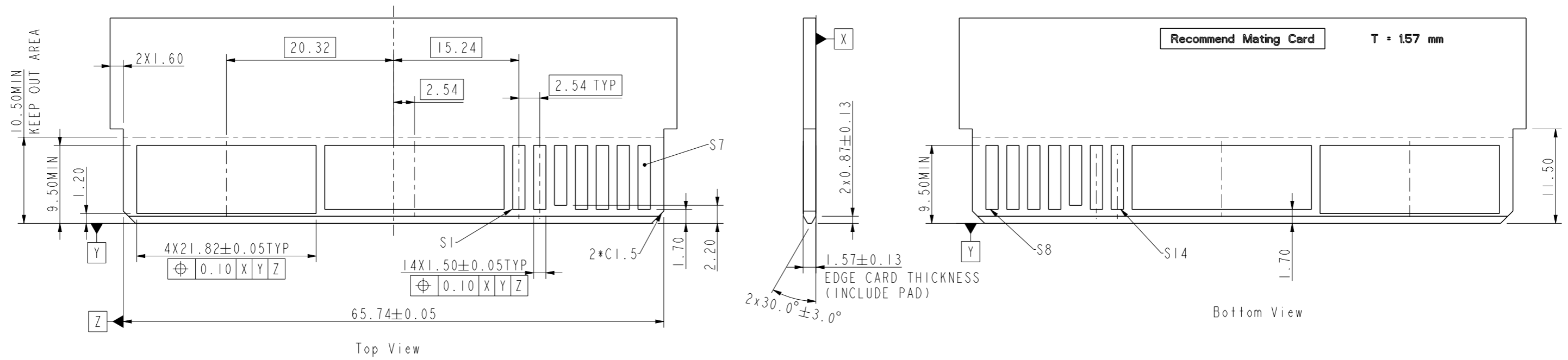
NOTES:  
 1. MATERIAL:  
 HOUSING: HIGH TEMPERATURE THERMOPLASTIC, BLACK, UL94-V0, HALOGEN FREE  
 CONTACT: COPPER ALLOY  
 2. PLATING  
 MATING AREA: SEE TABLE 1  
 SOLDER AREA: TIN OVER Ni UNDERPLATED.  
 UNDERPLATED: 1.27um MIN. Ni ALL AREA  
 3. CONNECTOR COMPLY WITH RoHS REQUIREMENT  
 4. ORDER PN: HPG36PI4SRT05XX  
 (X: MEANS DIFFERENT MATING AREA PLATING CODE AND PACKING WAYS, DETAILS PLEASE REFER TO TABLE 1)

HPG SERIES P/N SYSTEM (Table 1)			
Drw No.	HPG36PI4SRT05	X	X
Item		1	2
1	X Plated Code 1: Mated Area: 0.76um Min Au plated 2: Mated Area: 0.38um Min Au plated 3: Mated Area: 0.76um Min GXT Plated 4: Mated Area: 2.54um Min GCS Plated 0: Others		
2	X Packing Type B: Tube C: Carrier Tape T: Tray		

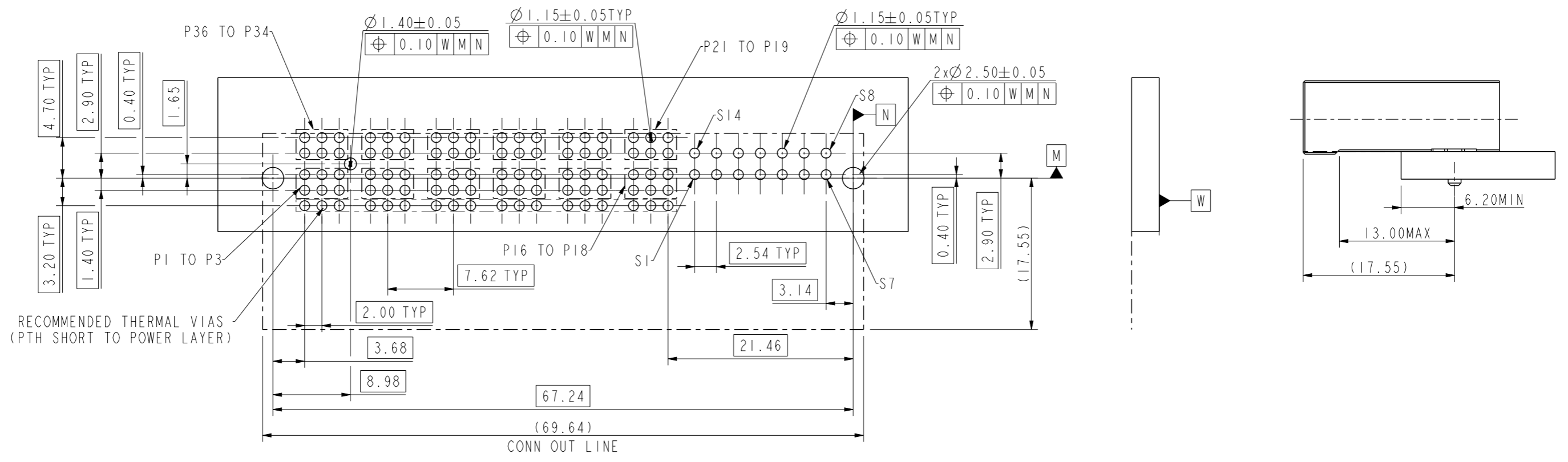
spec ref	dr	Van Cheng	2022/10/10
tolerance std	eng	Van Cheng	2022/10/11
	r vwr	Jason He	2022/10/11
	appr	Brade Zou	2022/10/11
surface	linear	0.X	±0.50
		0.XX	±0.30
		0.XXX	±0.10
	angular	0°	±3°

		mm scale 2:1 size A3
TOLERANCES UNLESS OTHERWISE SPECIFIED		ecn no -
projection 		rel level <b>Released</b>
title 36P+14S, Right Angle Power Conn 3.74mm CL, Offset 0.51mm		cat. no. Product_Customer Drw rev <b>A</b>
product family Energy Edge X-treme Extension		sheet 1 of 2

RECOMMENDED MATING CARD LAYOUT  
DIMENSION TOLERANCE IS ±0.05mm



RECOMMENDED PCB LAYOUT  
DIMENSION TOLERANCE IS ±0.05mm



Amphenol Power Solutions

© 2021 Amphenol Corporation

spec ref	dr	Van Cheng	2022/10/10												
tolerance std	eng	Van Cheng	2022/10/11												
TOLERANCES UNLESS OTHERWISE SPECIFIED	rvwr	Jason He	2022/10/11												
	appr	Brade Zou	2022/10/11												
surface	projection	<table border="1"> <tr> <td>linear</td> <td>0.X</td> <td>±0.50</td> </tr> <tr> <td></td> <td>0.XX</td> <td>±0.30</td> </tr> <tr> <td></td> <td>0.XXX</td> <td>±0.10</td> </tr> <tr> <td>angular</td> <td>0°</td> <td>±3°</td> </tr> </table>		linear	0.X	±0.50		0.XX	±0.30		0.XXX	±0.10	angular	0°	±3°
linear	0.X	±0.50													
	0.XX	±0.30													
	0.XXX	±0.10													
angular	0°	±3°													

		mm	scale	2:1	size	A3
		ecn no	-			
A Division of Amphenol Corporation		amphenol-icc.com	rel level	Released		
title	36P+14S, Right Angle Power Conn		cat. no.	Product_Customer Drw		rev
product family	Energy Edge X-treme Extension		sheet 2 of 2	A		

Creo File:APH-PWR-A3C\_REV B, 2021-05-07