

● **High reliability, Safe and unlike secondary batteries, this is pollution free devices.**

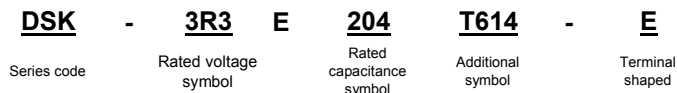
● **RoHS Compliant.**

● **ELAN P/N: DSK-3R3E204T614-E**

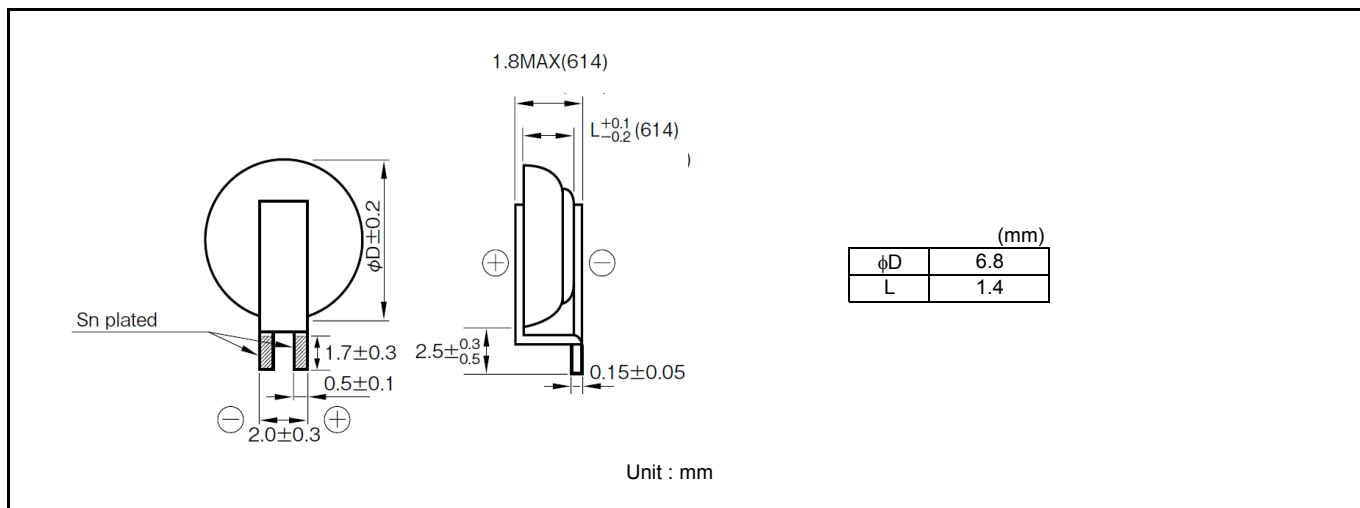
■ Spec sheet

| Item  | Performance                           |   |
|---|---------------------------------------|---|
| Category temperature range (deg C)          | -10 to +60                            |   |
| Rated Voltage (V)                           | 3.3                                   |   |
| Rated Capacitance (F)                       | 0.2 (20deg C)                         |   |
| Tolerance at rated capacitance (%)          | -20 to +80 (20deg C)                  |   |
| Internal resistance (ohm max.)              | 20deg C, 1kHz                         | 200   |
| Characteristics at high and low temperature | Capacitance change                    | Within -50% to +50% at 20deg C                      |
|   | Internal resistance                   | Less than five times of the initial specified value |
| Endurance(60deg C)                          | Test time                             | 1000hours   |
|   | Percentage of capacitance change      | Within -30% to +30% of initial value                |
|   | Internal resistance                   | Less than 2kohm                                     |
| Shelf life(60deg C)                         | Test time                             | 1000hours   |
|   | Capacitance change                    | Within -30% to +30% of initial value                |
|   | Internal resistance                   | Less than 2kohm                                     |
| Applicable standards                        | Conforms to JIS C5160-1 (IEC 62391-1) |   |

■ ELNA part numbering system



■ Outline drawing



(Note) It is recommended that you shall obtain technical specifications from ELNA CO., LTD. to ensure that the component is suitable for your intended use.