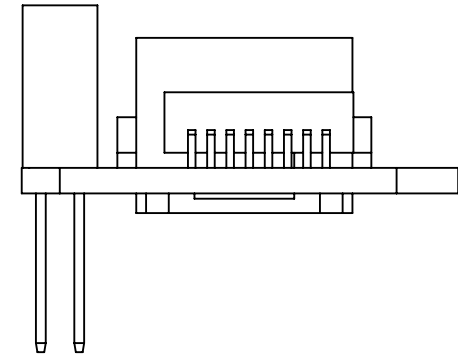
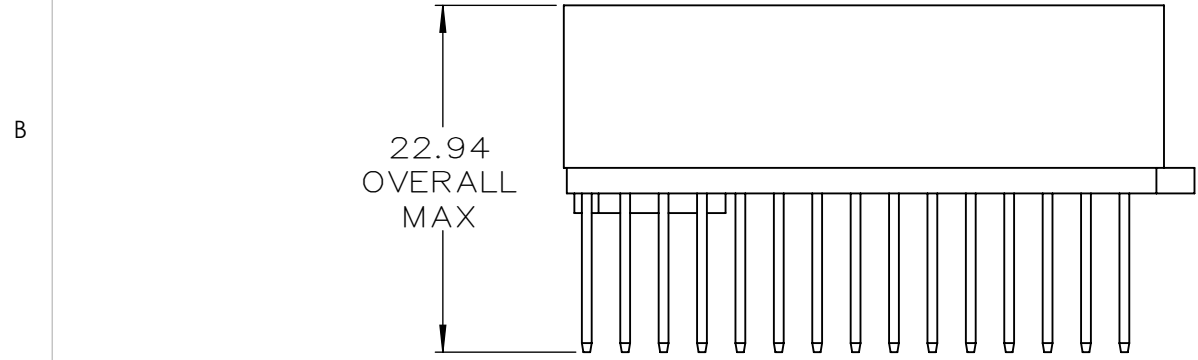
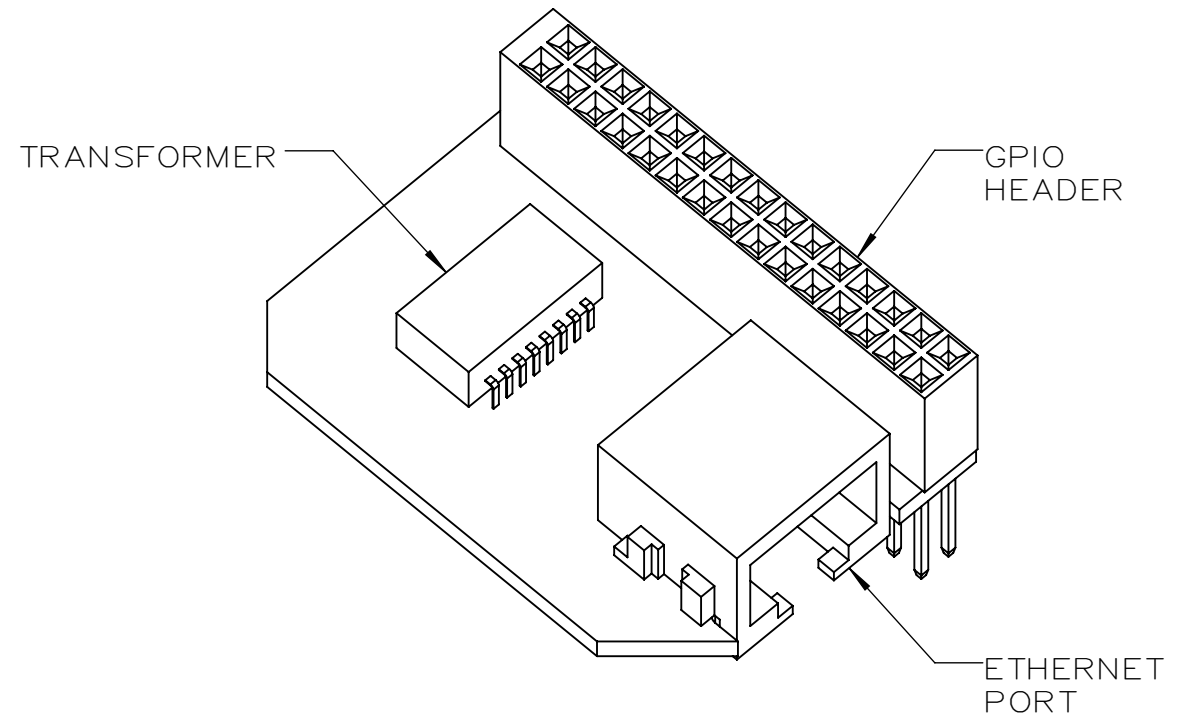
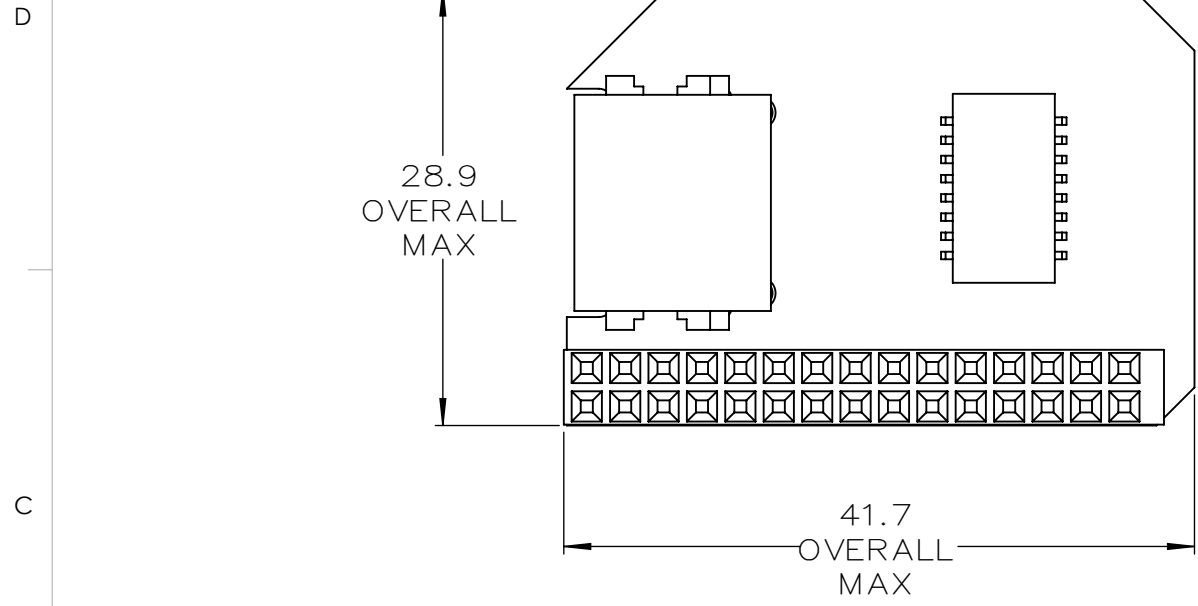


8 7 6 5 4 3 2 1



GENERAL
DESCRIPTION

ONLY MAJOR AND INTERFACING COMPONENTS SHOWN.
 THRU-HOLE PINS MAY HAVE SOLDER AT THEIR BASES.
 SLIGHT VARIATIONS MAY OCCUR DUE TO MFG AND ASSY.
 SEE DOCUMENTATION FOR HOW TO USE.
 FOR REFERENCE ONLY. THIS IS NOT A DESIGN GUIDE.

		DIMENSION IN MM UNLESS NOTED	THE INFORMATION CONTAINED IN THIS DRAWING IS THE SOLE PROPERTY OF ONION CORPORATION. ANY REPRODUCTION IN PART OR AS A WHOLE WITHOUT THE WRITTEN PERMISSION OF ONION CORPORATION IS PROHIBITED.		
		TOLERANCES	AUTHOR	DATE	
		.X ±0.1	GO	2016-03-25	
		.XX ±0.06	CHECKED	DATE	
		.XXX ±0.010	APPROVED	DATE	TITLE
		ANG.			ETHERNET EXP.
		MACH ±0.5°	PROJECTION TYPE		PART NO.
		BEND ±1°			OM-E-ETH
		MATERIAL			REV.
					A2
		DO NOT SCALE DRAWING			SCALE SIZE SHEET
					2:1 B 1 OF 5

8 7 6 5 4 3 2 1

A

A

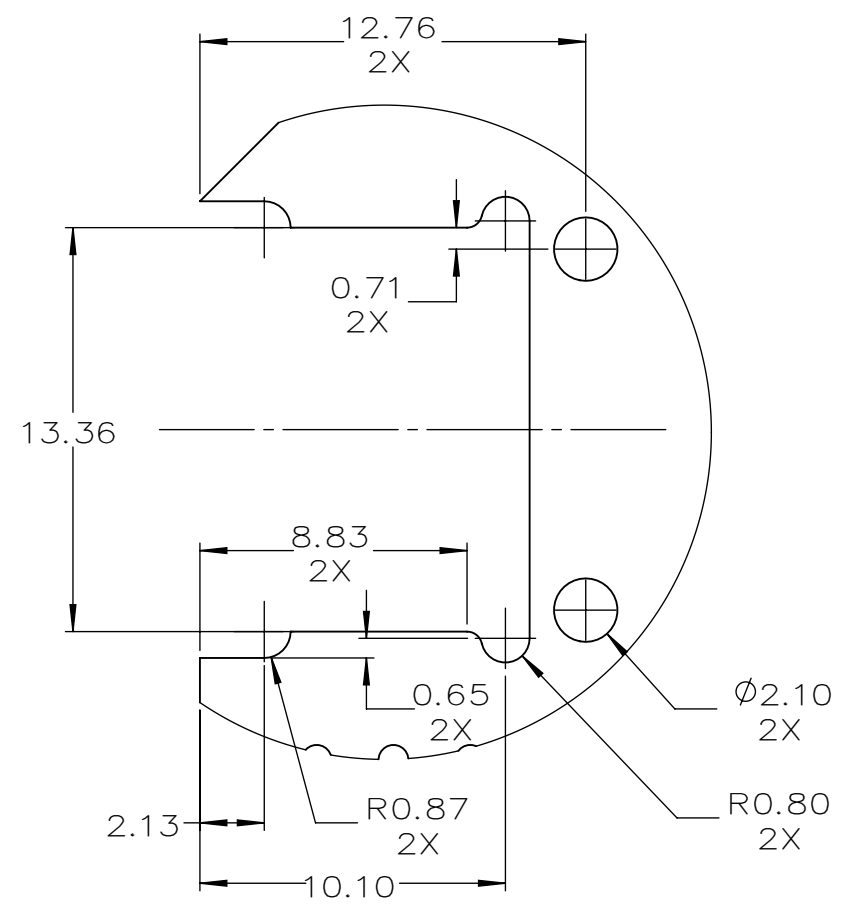
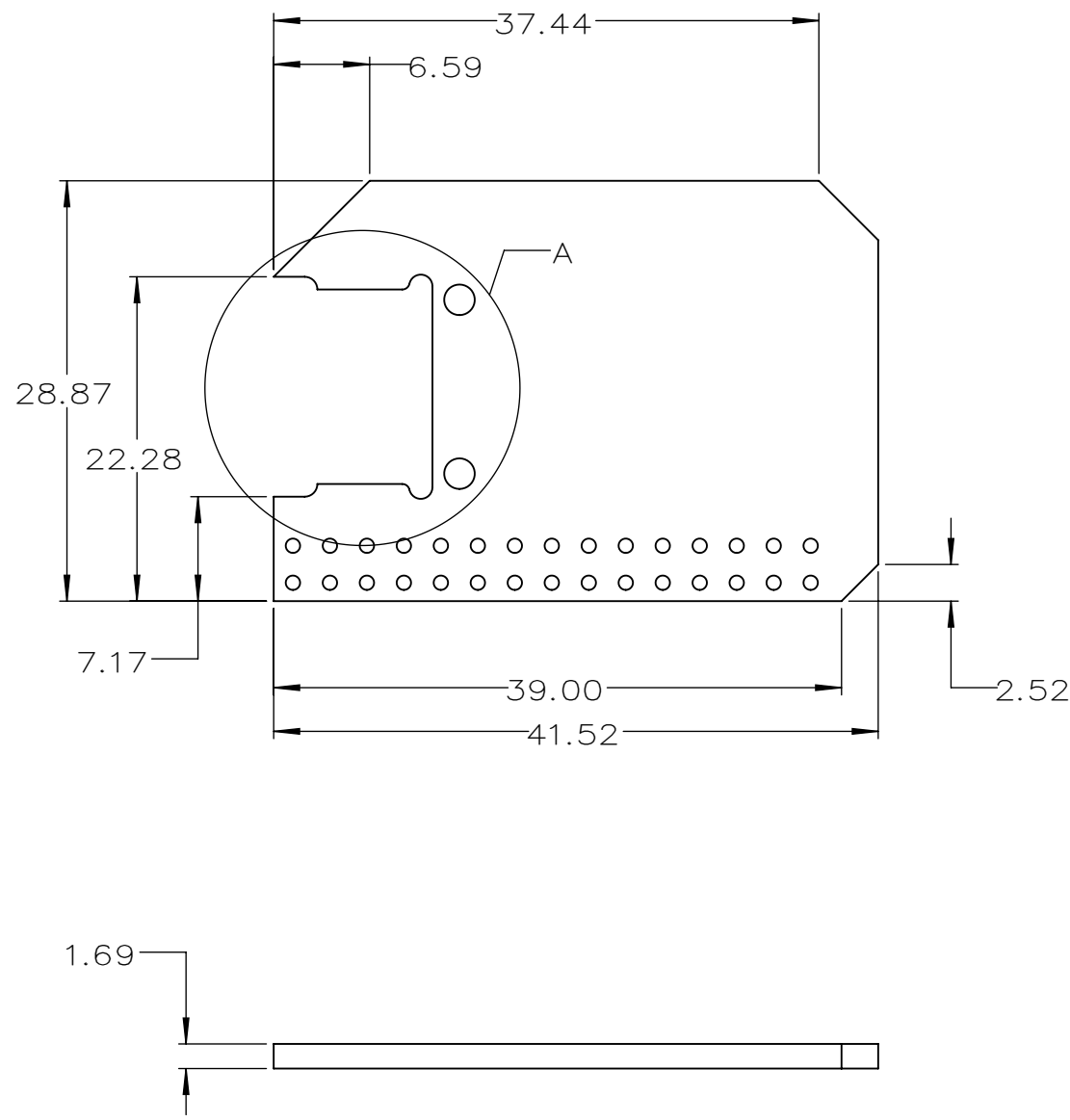
8 7 6 5 4 3 2 1

D

C

B

A



DETAIL A
ETHERNET CUTOUT
SCALE 4 : 1

BOARD
OUTLINE

ONLY MAJOR AND INTERFACING COMPONENTS SHOWN.
 THRU-HOLE PINS MAY HAVE SOLDER AT THEIR BASES.
 SLIGHT VARIATIONS MAY OCCUR DUE TO MFG AND ASSY.
 SEE DOCUMENTATION FOR HOW TO USE.
 FOR REFERENCE ONLY. THIS IS NOT A DESIGN GUIDE.

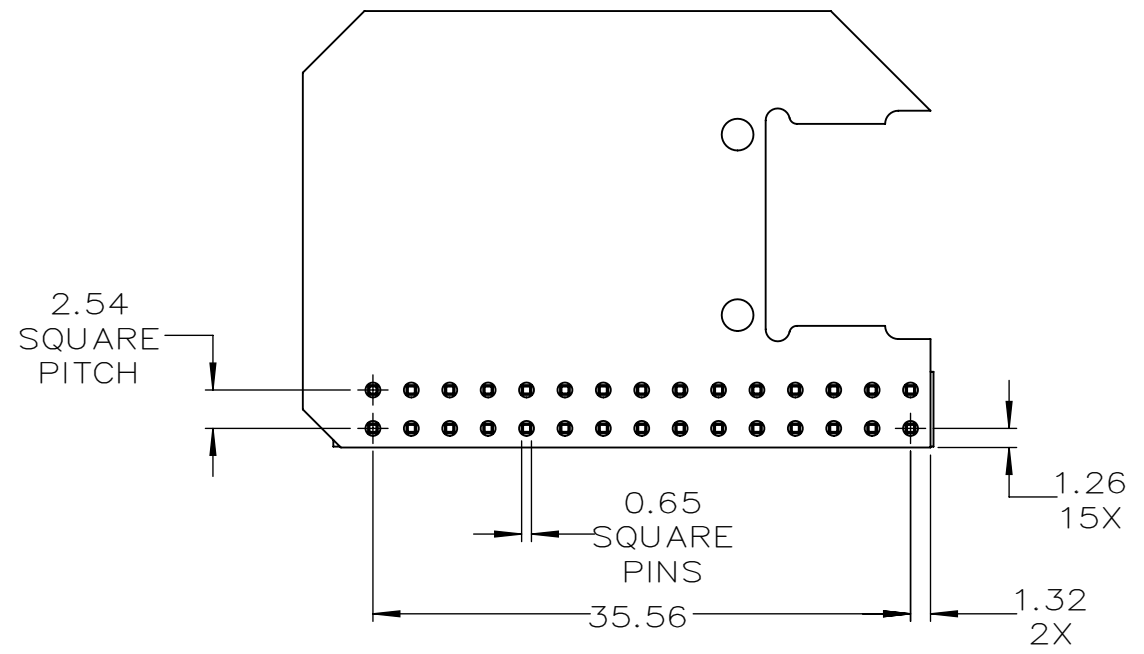
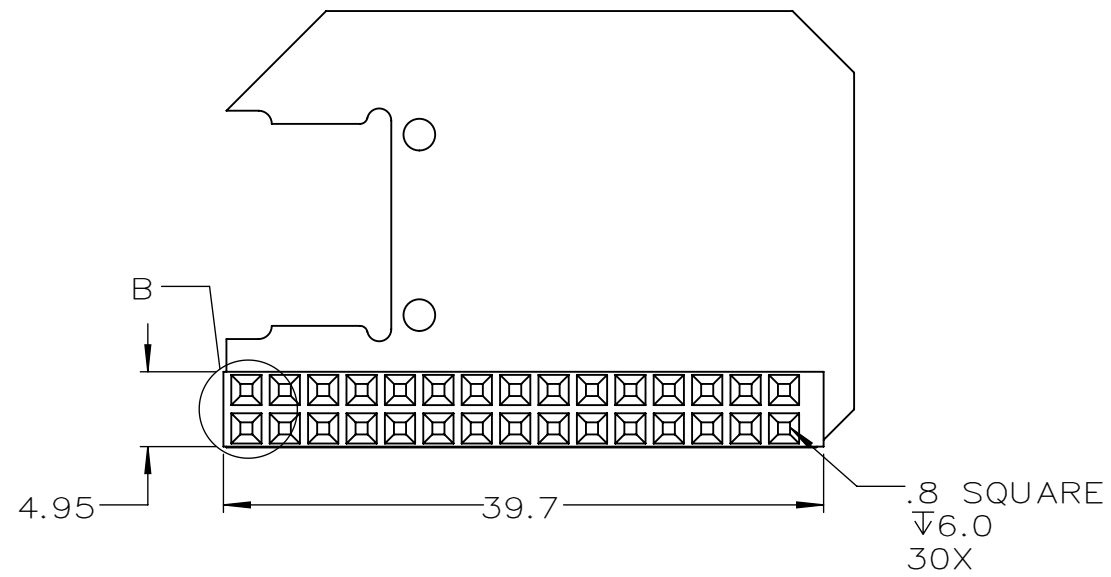
		DIMENSION IN MM UNLESS NOTED	THE INFORMATION CONTAINED IN THIS DRAWING IS THE SOLE PROPERTY OF ONION CORPORATION. ANY REPRODUCTION IN PART OR AS A WHOLE WITHOUT THE WRITTEN PERMISSION OF ONION CORPORATION IS PROHIBITED.		
		TOLERANCES	AUTHOR	DATE	
		.X ±0.1	GO	2016-03-25	
		.XX ±0.06	CHECKED	DATE	
		.XXX ±0.010	APPROVED	DATE	TITLE
		ANG.			ETHERNET EXP.
		MACH ±0.5°	PROJECTION TYPE		PART NO.
		BEND ±1°			OM-E-ETH
		MATERIAL			REV.
					A2
NEXT ASSY	USED ON	DO NOT SCALE DRAWING			SCALE
					2:1
					SIZE
					B
					SHEET
					2 OF 5

8 7 6 5 4 3 2 1

8 7 6 5 4 3 2 1

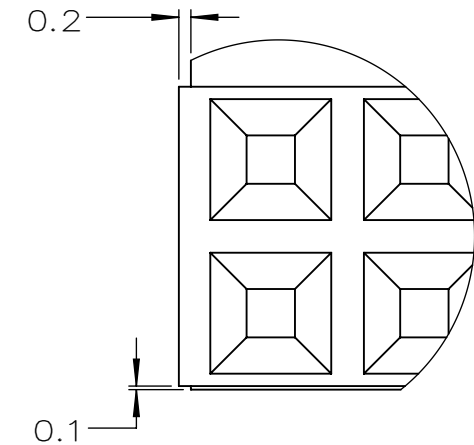
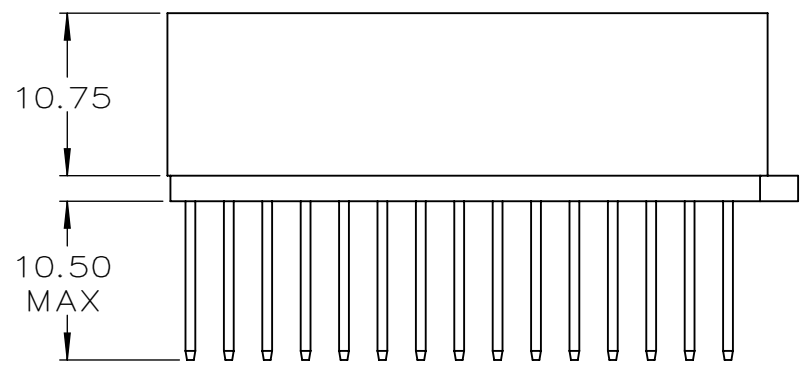
D

D



C

C



GPIO DETAIL
(BOARD AND GPIO HEADER ONLY)

DETAIL B
HEADER CORNER
SCALE 8 : 1

B

B

ONLY MAJOR AND INTERFACING COMPONENTS SHOWN.
THRU-HOLE PINS MAY HAVE SOLDER AT THEIR BASES.
SLIGHT VARIATIONS MAY OCCUR DUE TO MFG AND ASSY.
SEE DOCUMENTATION FOR HOW TO USE.
FOR REFERENCE ONLY. THIS IS NOT A DESIGN GUIDE.

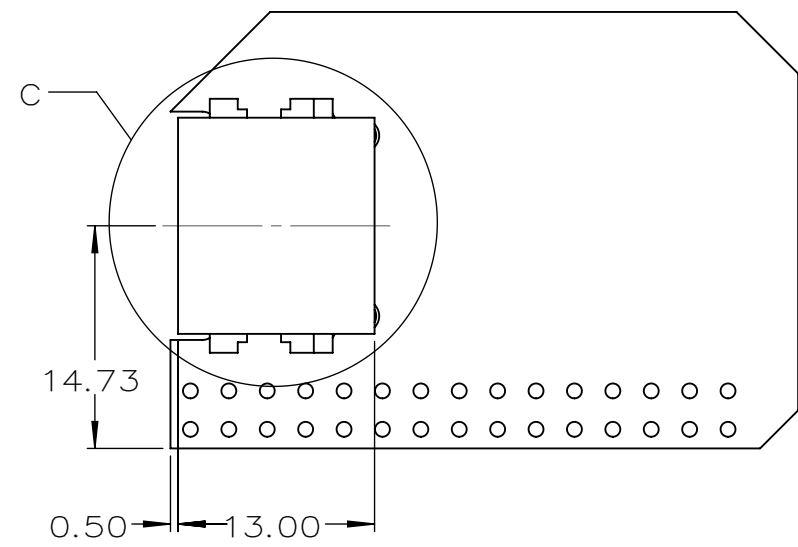
A

A

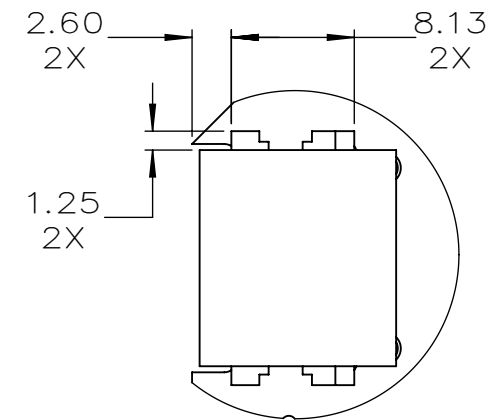
		DIMENSION IN MM UNLESS NOTED		THE INFORMATION CONTAINED IN THIS DRAWING IS THE SOLE PROPERTY OF ONION CORPORATION. ANY REPRODUCTION IN PART OR AS A WHOLE WITHOUT THE WRITTEN PERMISSION OF ONION CORPORATION IS PROHIBITED.	
		TOLERANCES		AUTHOR	DATE
		.X ±0.1		GO	2016-03-25
		.XX ±0.06		CHECKED	DATE
		.XXX ±0.010		APPROVED	DATE
		ANG.		PROJECTION TYPE	
		MACH ±0.5°			
		BEND ±1°		TITLE	
		MATERIAL		ETHERNET EXP.	
NEXT ASSY		USED ON		PART NO.	
				OM-E-ETH	
				REV.	
				A2	
				SCALE	SIZE
				2:1	B
				SHEET	
					3 OF 5
				DO NOT SCALE DRAWING	

8 7 6 5 4 3 2 1

D

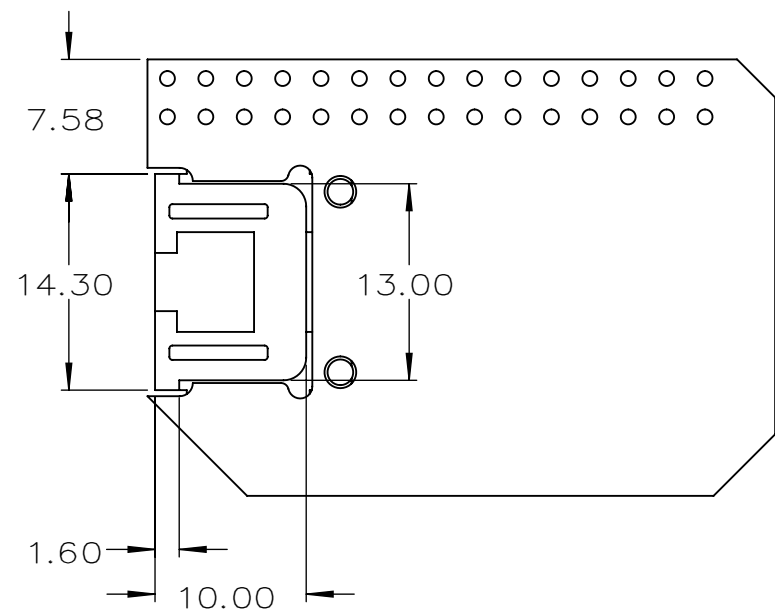


C

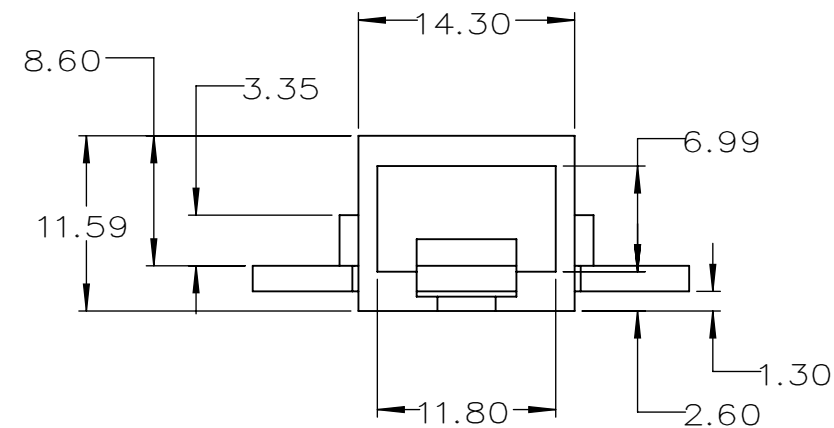


DETAIL C
ETHERNET PORT
(TOP)

B



BOTTOM
VIEW


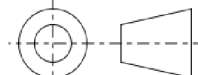


ETHERNET PORT
(FRONT)

ETHERNET PORT DETAIL
(BOARD AND ETHERNET ONLY)

ONLY MAJOR AND INTERFACING COMPONENTS SHOWN.
 THRU-HOLE PINS MAY HAVE SOLDER AT THEIR BASES.
 SLIGHT VARIATIONS MAY OCCUR DUE TO MFG AND ASSY.
 SEE DOCUMENTATION FOR HOW TO USE.
 FOR REFERENCE ONLY. THIS IS NOT A DESIGN GUIDE.

A

		DIMENSION IN MM UNLESS NOTED	THE INFORMATION CONTAINED IN THIS DRAWING IS THE SOLE PROPERTY OF ONION CORPORATION. ANY REPRODUCTION IN PART OR AS A WHOLE WITHOUT THE WRITTEN PERMISSION OF ONION CORPORATION IS PROHIBITED.		
		TOLERANCES	AUTHOR	DATE	
		.X ±0.1	GO	2016-03-25	
		.XX ±0.06	CHECKED	DATE	
		.XXX ±0.010	APPROVED	DATE	TITLE
		ANG.			ETHERNET EXP.
		MACH ±0.5°	PROJECTION TYPE		PART NO.
		BEND ±1°			OM-E-ETH
		MATERIAL			REV.
					A2
		DO NOT SCALE DRAWING			SCALE SIZE SHEET
					2:1 B 4 OF 5
NEXT ASSY	USED ON				

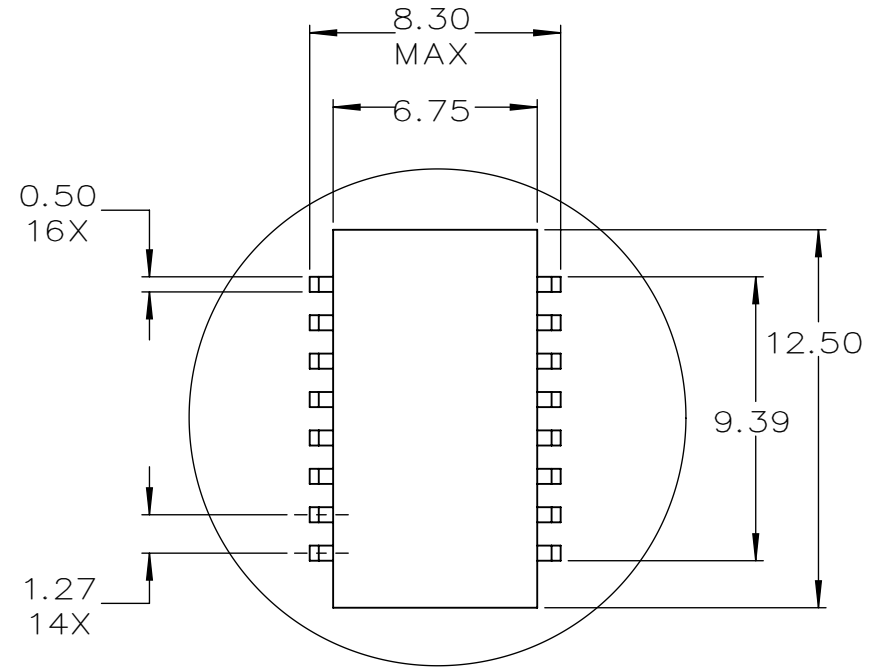
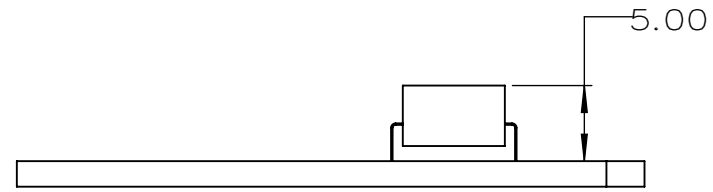
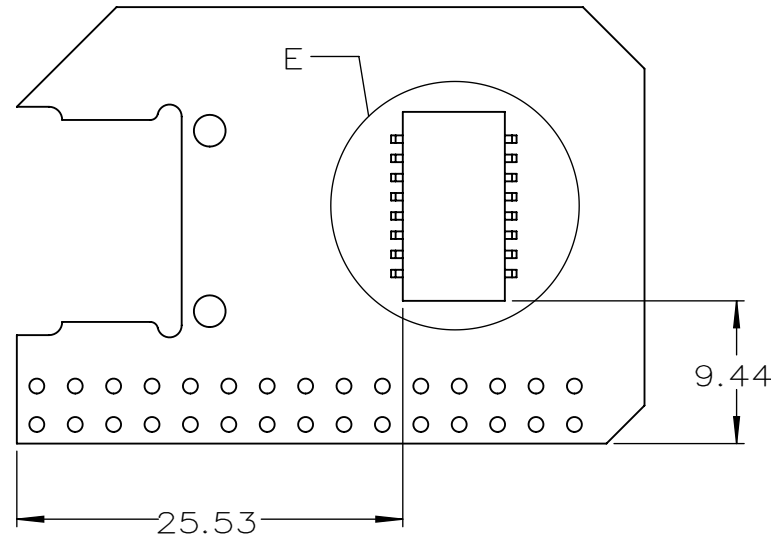
8 7 6 5 4 3 2 1

D

C

B


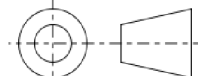
A



DETAIL E
TRANSFORMER
SCALE 4 : 1

TRANSFORMER DETAIL
(BOARD AND TRANSFORMER ONLY)

ONLY MAJOR AND INTERFACING COMPONENTS SHOWN.
 THRU-HOLE PINS MAY HAVE SOLDER AT THEIR BASES.
 SLIGHT VARIATIONS MAY OCCUR DUE TO MFG AND ASSY.
 SEE DOCUMENTATION FOR HOW TO USE.
 FOR REFERENCE ONLY. THIS IS NOT A DESIGN GUIDE.

		DIMENSION IN MM UNLESS NOTED	THE INFORMATION CONTAINED IN THIS DRAWING IS THE SOLE PROPERTY OF ONION CORPORATION. ANY REPRODUCTION IN PART OR AS A WHOLE WITHOUT THE WRITTEN PERMISSION OF ONION CORPORATION IS PROHIBITED.		
		TOLERANCES	AUTHOR	DATE	
		.X ±0.1 .XX ±0.06 .XXX ±0.010 ANG. MACH ±0.5° BEND ±1°	GO	2016-03-25	
		MATERIAL	CHECKED	DATE	TITLE
					ETHERNET EXP.
			APPROVED	DATE	PART NO.
					OM-E-ETH
			PROJECTION TYPE		REV.
					A2
NEXT ASSY	USED ON	DO NOT SCALE DRAWING	SCALE	SIZE	SHEET
			2:1	B	5 OF 5

8 7 6 5 4 3 2 1