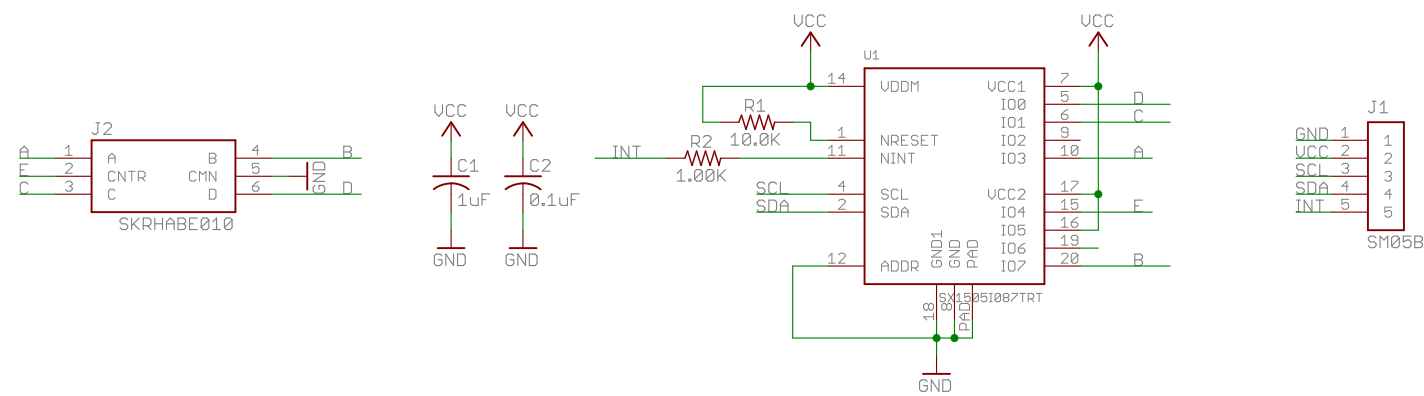


Joystick And I2C IO Expander



Variant: Standard - R
 Non Populated: -
 Hand Populated: -
 Hand Soldered: -
 Notes: -

Released under the Creative Commons Attribution Share-Alike 3.0 License
<http://creativecommons.org/licenses/by-sa/3.0>

Original Arduino Uno Design by Team Arduino
 LilyPad Arduino Design by Leah Buechley and Sparkfun Electronics
 TinyDuino, TinyLily and TinyShield Designs by TinyCircuits

		http://www.TinyCircuits.com	
TITLE: Wiring Joystick			
Document Number: AS-SCH-AST1011			REV: 2
Date: 10/20/2019 3:18:28 PM			Sheet: 1/1