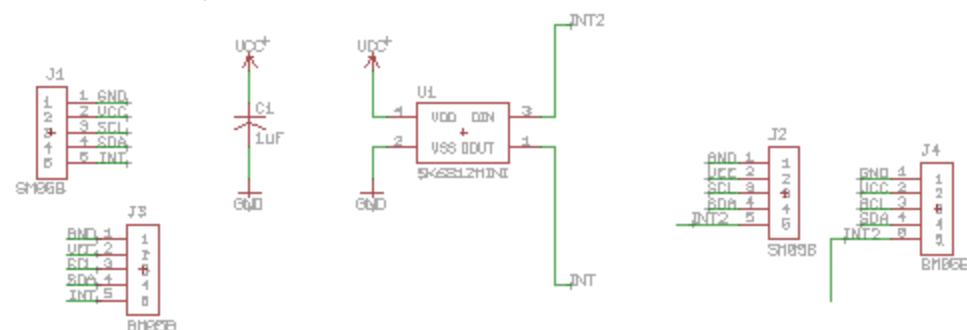


3.5mm Serial RGB LED



NOTES:

Optional Populates R1 or R2 or R3 for DIN
 Optional Populates R4 or R5 or R6 for DOUT

MS2912b, SK6912, or compatible 3.5mm Serial RGB LED

Released under the Creative Commons Attribution Share-Alike 3.0 License
<http://creativecommons.org/licenses/by-sa/3.0>

Original Arduino Uno Design by Team Arduino
 LilyPad Arduino Design by Leah Buechley and Sparkfun Electronics
 TinyDuino, TinyLily and TinyShield Designs by TinyCircuits

		https://www.TinyCircuits.com	
TITLE: Serial RGB LED - Double Con.			
Document Number: AS-SCH-AST1018			REV: 2
Date: 8/21/2018 1:23:23 PM			Sheet: 1/1