

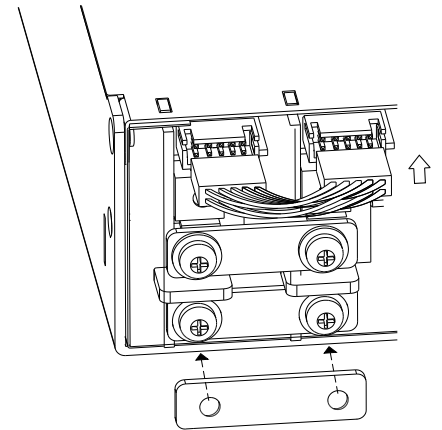


NMP-650 / 1K2 Accessory List

NMP Accessories

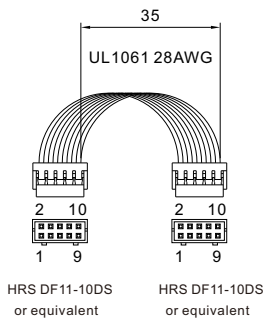
A1.1 ±V Parallel Connection Accessories

Parallel Connection Accessory	
FAP-009 (For NMS-240, 2 units)	
FAP-010 (For NMS-240, 3 units)	

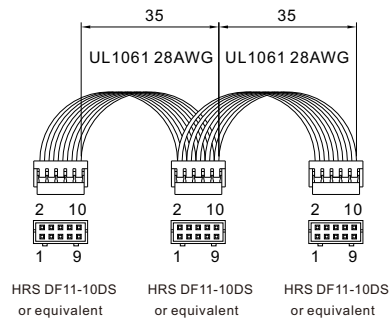


A1.2 CN81 Parallel Connection Accessories

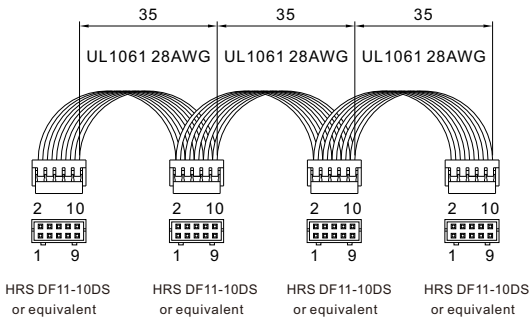
NMS-240-P2
(For NMS-240, 2units)



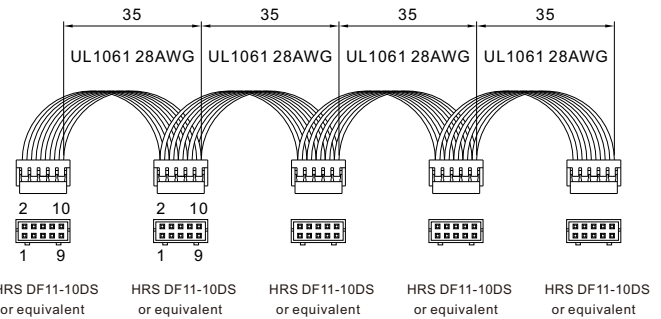
NMS-240-P3
(For NMS-240, 3units)



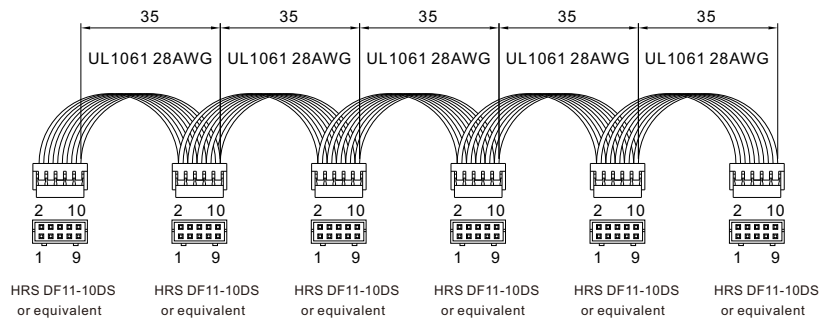
NMS-240-P4
(For NMS-240, 4units)



NMS-240-P5
(For NMS-240, 5units)

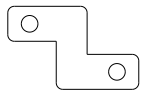


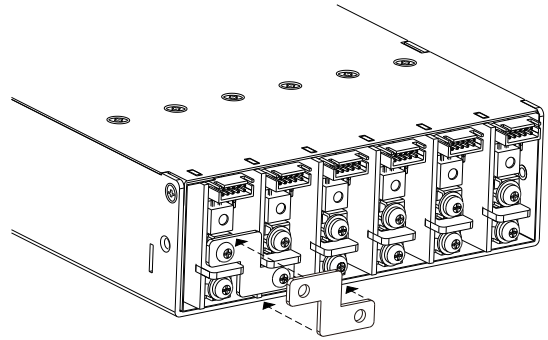
NMS-240-P6
(For NMS-240, 6units)



HRS DF11-10DS PIN NO.	1	2	3	4	5	6	7	8	9	10
Wire Color	Black GND	Black GND	Yellow RC2	Red VCC2	White DC-OK	Orange CS	Purple PC	Green PV	Blue +S	Brown -S

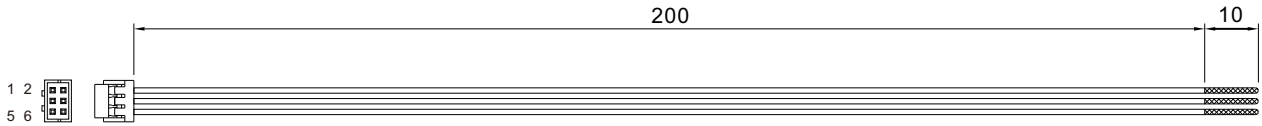
A1.3 Series Connection Accessory

Series Connection Accessory	
FAS-005 (For 1-slot modules:NMS-240)	



A1.4 CN32 Accessory

NMP-CN32



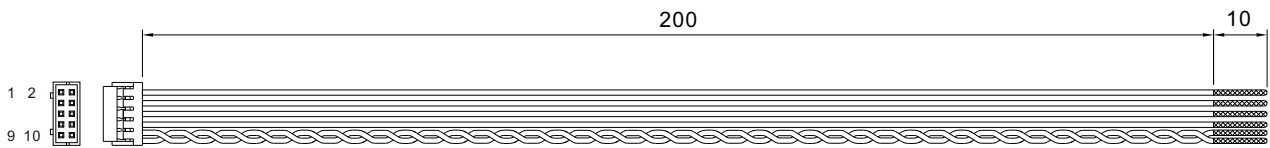
HRS DF11-06DS
or equivalent

UL1007 24AWG

HRS DF11-06DS PIN NO.	1	2	3	4	5	6
Wire color	Red	Red	Black	Black	Blue	Gray
Assignment	+5V -AUX-P	+5V -AUX-P	GND-P	GND-P	RC1	T-Alarm

A1.5 CN81 Accessory

NMS-240-CN81



HRS DF11-10DS
or equivalent

UL1007 24AWG

HRS DF11-10DS PIN NO.	1	2	3	4	5	6	7	8	9	10
Wire color	Black	Black	Yellow	Red	White	Orange	Purple	Green	Blue	Brown
Assignment	GND	GND	RC2	VCC2	DC-OK	CS	PC	PV	+S	-S

A1.6 Blank Module

Blank Module	
BLANK-NMS240	