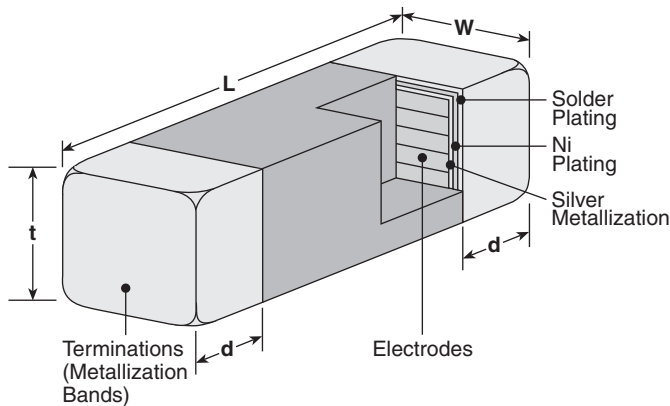


features

- Designed to reduce noise at high frequencies
- Standard EIA packages: 1J, 2A, 2B
- Nickel barrier with solder overcoat for excellent solderability
- Marking: Black body color with no marking
- Products with lead-free terminations meet EU RoHS requirements

dimensions and construction



Type (Inch Size Code)	Dimensions inches (mm)			
	L	W	t	d
1J (0603)	.063±.006 (1.6±0.15)	.031±.006 (0.8±0.15)	.031±.006 (0.8±0.15)	.014±.006 (0.36±0.15)
2A (0805)	.079±.008 (2.0±0.2)	.047±.008 (1.20±0.2)	.035±.008 (0.9±0.2)	.02±.012 (0.51±0.30)
2B (1206)	.126±.008 (3.2±0.2)	.063±.008 (1.6±0.2)	.043±.008 (1.1±0.2)	.02±.012 (0.51±0.30)

ordering information

CZP	2A	F	T	TD	300	P
Type	Size	Permeability Code	Termination Material	Packaging	Impedance	Tolerance
	1J 2A 2B	F P	T: Sn	TD: 7" paper tape (1J, 2A - 4,000 pieces/reel) TE: 7" embossed plastic (2B - 3,000 pieces/reel)	2 significant figures + 1 multiplier	P: ±25%

For further information on packaging, please refer to Appendix A.

applications and ratings

Part Designation	Impedance @ 100MHz (Ω)	DC Resistance Maximum (Ω)	Allowable DC Current Maximum (mA)	Operating Temperature Range
CZP1JFTTD300P	30	0.03	3000	-55°C to +125°C
CZP1JFTTD600P	60	0.04		
CZP1JFTTD121P	120	0.10	2000	
CZP1JFTTD181P	180			
CZP1JFTTD221P	220			
CZP1JFTTD301P	300	0.20	1000	
CZP1JFTTD601P	600			
CZP2AFTTD300P	30	0.015	4000	-55°C to +125°C
CZP2AFTTD600P	60	0.04	3000	
CZP2AFTTD800P	80			
CZP2AFTTD221P	220	0.05	2000	
CZP2AFTTD301P	300	0.15		
CZP2AFTTD601P	600	0.20		
CZP2AFTTD102P	1000			
CZP2BFTTE190P	19	0.02	4000	-55°C to +125°C
CZP2BFTTE300P	30			
CZP2BFTTE500P	50	0.025	3000	
CZP2BFTTE800P	80	0.03		
CZP2BFTTE101P	100	0.08		
CZP2BFTTE121P	120			
CZP2BFTTE601P	600	0.20	1000	
CZP2BPTTE600P	60	0.02	6000	
CZP2BPTTE101P	100	0.03	3000	
CZP2BPTTE121P	120	0.04		
CZP2BPTTE601P	600	0.10		

For complete environmental specifications, please refer to www.koaspeer.com