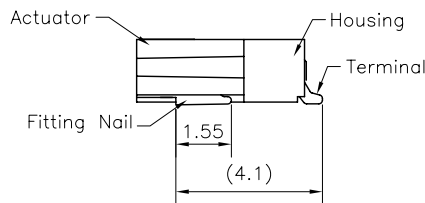
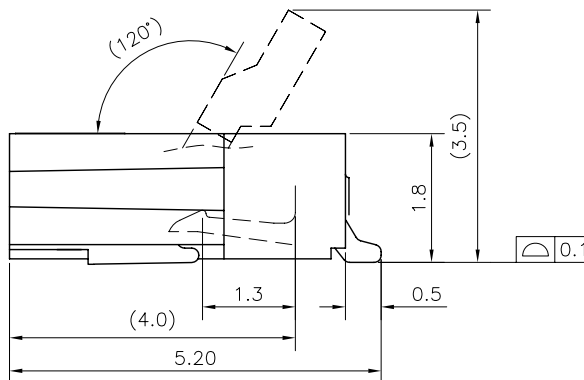
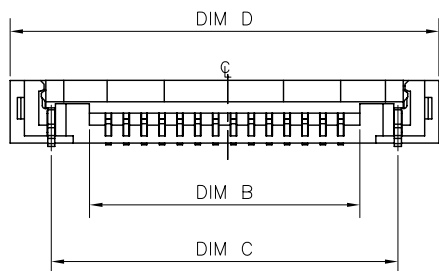
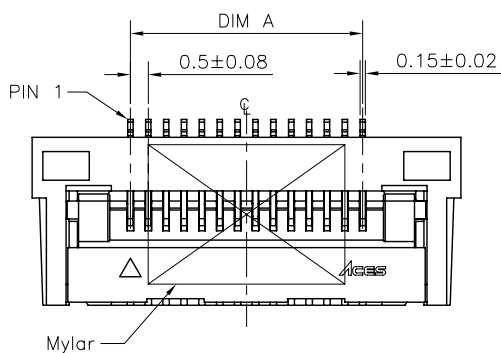
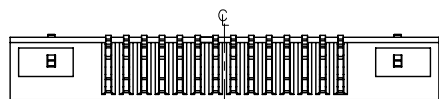


4~29 PIN 1 SINK
30~60PIN: THREE SINKS



NOTES:

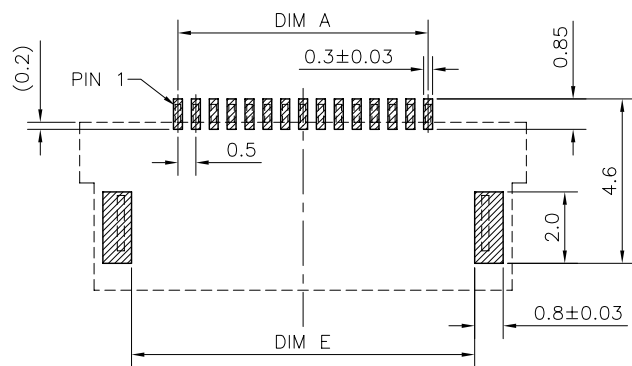
1. MATERIAL:
 - 1.1 HOUSING: MATERIAL IS LCP GF40%, UL 94 V-0
 - 1.2 ACTUATOR: MATERIAL IS NYLON-6T GF30%, UL 94 V-0
 - 1.3 CONTACT: COPPER ALLOY
 - 1.4 FITTING NAIL: COPPER ALLOY
2. FINISH:
 - 2.1 CONTACT:
 - 50~100u" NICKEL UNDERPLATING OVERALL.
 - 1: GOLD FLASH ON PLATING AREA .
 - T: 10u" GOLD PLATING ON CONTACT AREA AND GOLD FLASH ON SOLDER TAIL AREA.
 - 2.2 FITTING NAIL:
 - 50~100u" NICKEL UNDERPLATING OVERALL.
 - 80~120u" MATT TIN PLATING ON SOLDER TAILS(LEAD FREE).
3. REFLOW SOLDER CAPABLE TO 260°C PER ACES SPEC.
4. SPEC. PLS. REFER TO PS-51503-xxxxx-xxx
5. PACKAGE PLS. REFER TO 51530-xxxxx-05-TRP
6. PART NUMBER

51530-XXX	X	X-002	HOUSING MATERIAL&COLOR	ACTUATOR MATERIAL&COLOR
			002 HALOGEN FREE PLASTIC & NATURAL	HALOGEN FREE PLASTIC &BLACK

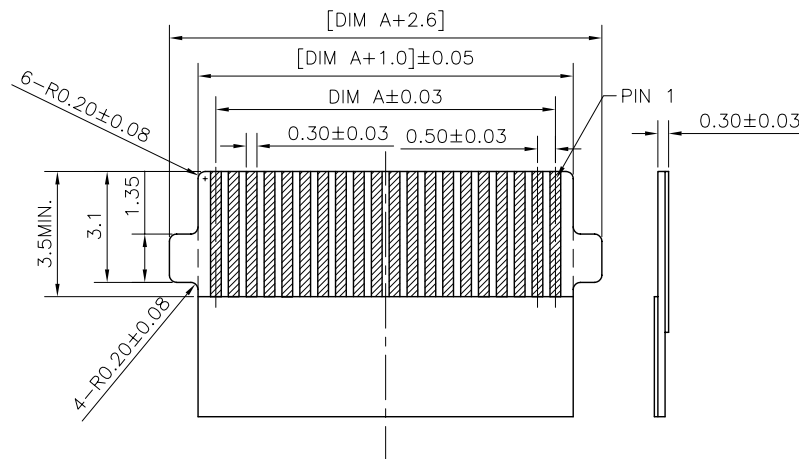
NO OF CKT ——— PLATING
PACKING ——— 1: G/F (LEAD FREE)
0: TAPE & REEL T: 10u" GOLD PLATING ON CONTACT AREA
4: TAPE & REEL WITH MYLAR

CKT	DIM A	DIM B	DIM C	DIM D	DIM E
4	1.5	2.57	4.7	7.0	4.1
6	2.5	3.57	5.7	8.0	5.1
8	3.5	4.57	6.7	9.0	6.1
10	4.5	5.57	7.7	10.0	7.1
12	5.5	6.57	8.7	11.0	8.1

QUALITY SYMBOLS MAJOR Ⓢ CRITICAL Ⓢ	DRAWN BY Xu, Bin	DATE 18/01/02	
	CHECKED BY Xu, Zhi Yong	DATE 18/01/02	
GENERAL TOLERANCES (UNLESS SPECIFIED)	APPROVED BY Xu, Zhi Yong	DATE 18/01/02	TITLE 0.5 PITCH EASY ON FPC Conn. H=1.8mm TYPE
	X. ±0.5 .X ±0.25 .XX ±0.15 .XXX ±0.1 ANGLES ±2°	UNITS mm	
	SCALE 3:1	SHEET NO. 1 OF 2	DWG NO. 51530-XXXXX-002
		REV O	PART NO. SEE NOTES



RECOMMENDED PCB LAYOUT
GENERAL TOLERANCE ± 0.05



RECOMMENDED FPC/FFC DIMENSIONS
GENERAL TOLERANCE ± 0.1

CKT	DIM A	DIM B	DIM C	DIM D	DIM E
4	1.5	2.57	4.7	7.0	4.1
6	2.5	3.57	5.7	8.0	5.1
8	3.5	4.57	6.7	9.0	6.1
10	4.5	5.57	7.7	10.0	7.1
12	5.5	6.57	8.7	11.0	8.1

QUALITY SYMBOLS MAJOR CRITICAL	DRAWN BY Xu, Bin 18/01/02	DATE 18/01/02	
	CHECKED BY Xu, Zhi Yong 18/01/02	DATE 18/01/02	
GENERAL TOLERANCES (UNLESS SPECIFIED)	APPROVED BY Xu, Zhi Yong 18/01/02	DATE 18/01/02	TITLE 0.5 PITCH EASY ON FPC Conn. H=1.8mm TYPE
	X. ± 0.5 .X ± 0.25 .XX ± 0.15 .XXX ± 0.1 ANGLES $\pm 2^\circ$	UNITS mm	
	SCALE 3 : 1	SHEET NO. 2 OF 2	DWG NO. 51530-XXXXX-002
		REV O	PART NO. SEE NOTES