

1

2

3

4

5

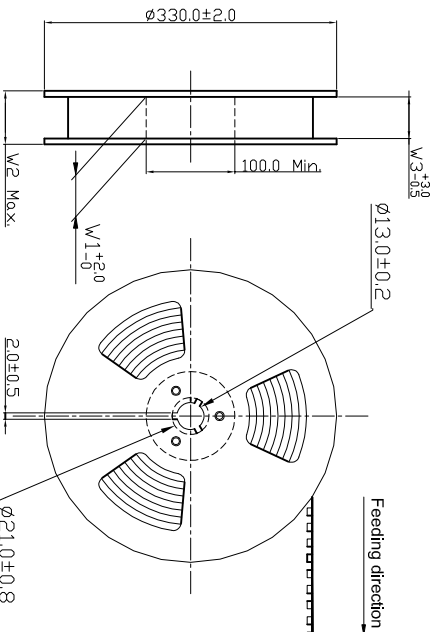
6

7

A

NOTES:

1. 10 sprocket hole pitch cumulative tolerance ± 0.20 .
2. Carrier Camber is within 1 mm in 250mm.
3. Carrier Material : Clear, Transparent Polystyrene Alloy (UP-6000).
- ④ 4. Reel Material: Corrugated paper.
5. All dimensions meet EIA-481-B requirements.
6. Thickness : 0.40 ± 0.05 mm.
7. Packing length per 22" reel : 98.5 Meters.
8. Component load per 13" reel : 4000 pcs.

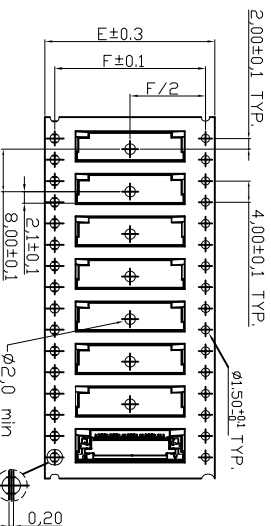
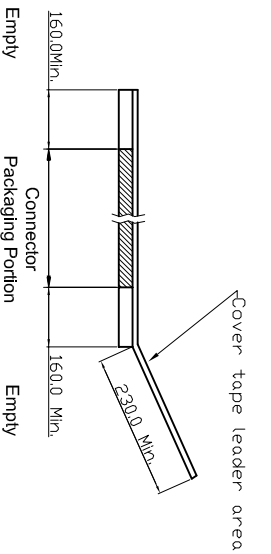


④ Circuits	Dimension			Packing (Reel/Carion)
	E	F	W3	
15,16,20-22	24.0	-	24.5	9
24,30,32,33	32.0	28.40	32.5	7
40	44.0	40.40	44.5	5

Feeding direction

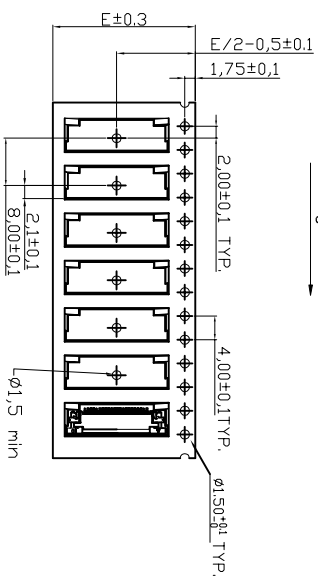
Feeding direction

D



WIDTH: 32; 44 mm Carrier

⑤ WIDTH: 24 mm Carrier



E

D

E

E

F

F

RoHS compliant
Unit: mm



File No.: E198287

Scale	Free	⑥ Add UL No.	13.06.2016	Amy	Date	Name	Customer-No.
TOLERANCE		⑤ Update	04.08.2015	Joanna	03.08.2009	Dean	
.X	±X	④ Update	07.08.2014	Amy	13.06.2016	Amy	
.XX	±X	③ Change material and add circuits		Dean			
.XXX	±X	② Corrected drawing No.		Dean			ASSMANN WSW-No. AFFC23-XX-050-SHT-X
DIM	TOL	① Drawn		Dean			Drawing-No. ASS 3630 CO
X.°	±1°	Date		03.08.2009			Replace
X.X°	±X°	Name		Dean			SHEET 2/2
Angle	TOL	Modification					

1

2

3

4

5

6

7

H

H

ASSMANN
WSW components

ASS 3630 CO

rev06