

MINIFLEX® 5-BFN II LK

Mechanical lock, robust design with hold-down feature, low profile (height = 1.0 mm), 0.5 mm pitch, horizontal, backflip



Product Specifications:

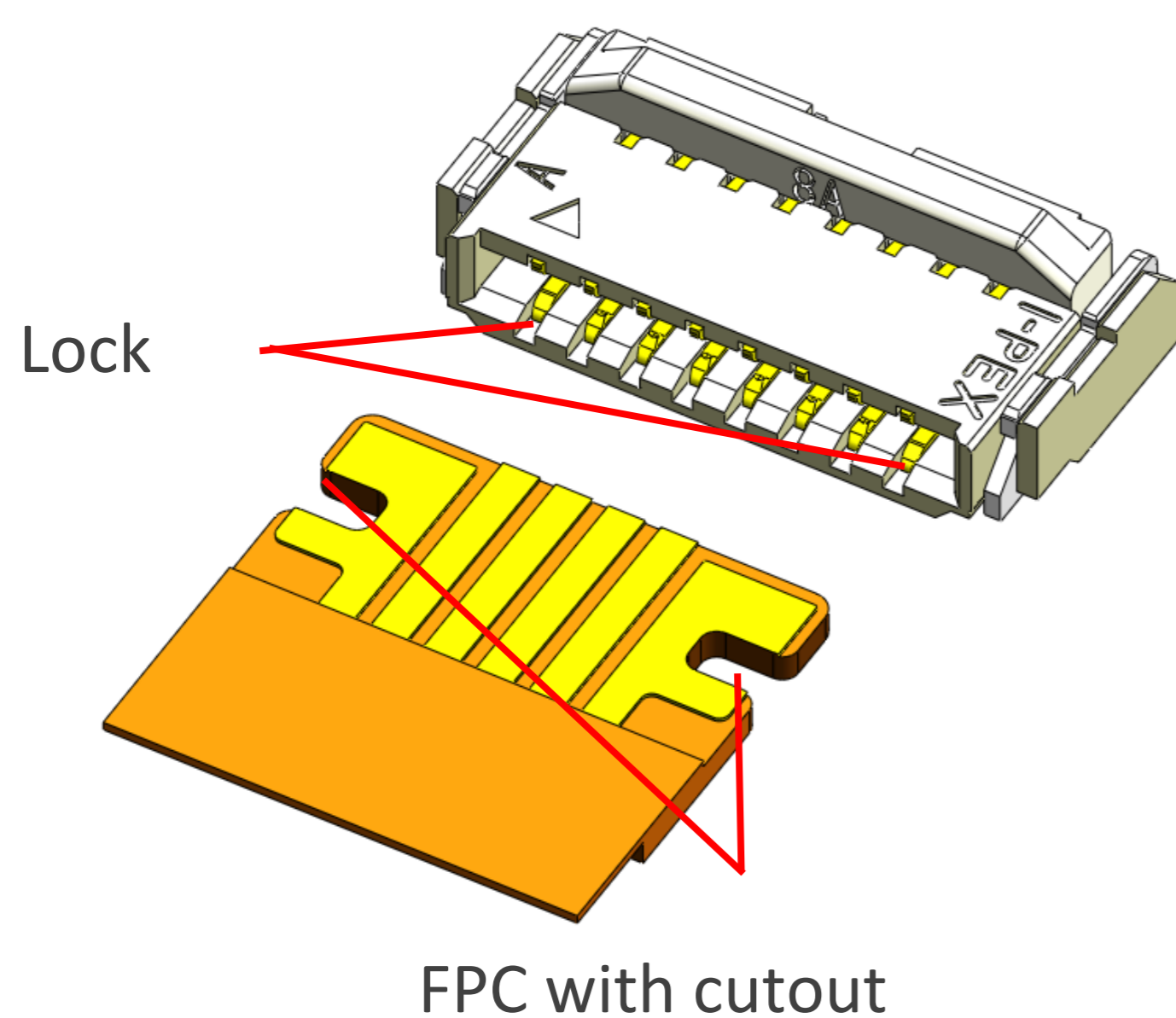
Board Pitch (mm)	0.5	
Wiping Length (mm)	Contact A:	
	Contact B:	
Size (mm)	Height	1.0 +/- 0.1
	Width	Formula: 2.7+(0.5*?p)
	Depth	Open: 3.0 Close: 3.5
Pin counts	Range	4-28 (even)
	Available	4,6,8,10,12,14,16,18,20,24

Applicable FPC/FFC:

FPC/FFC Contact Pitch	0.5
FPC/FFC Contact Point	Top and Bottom
FPC/FFC Thickness (mm)	0.3 +/- 0.05

* Please inquire for pin counts not listed or outside of the pin count range.

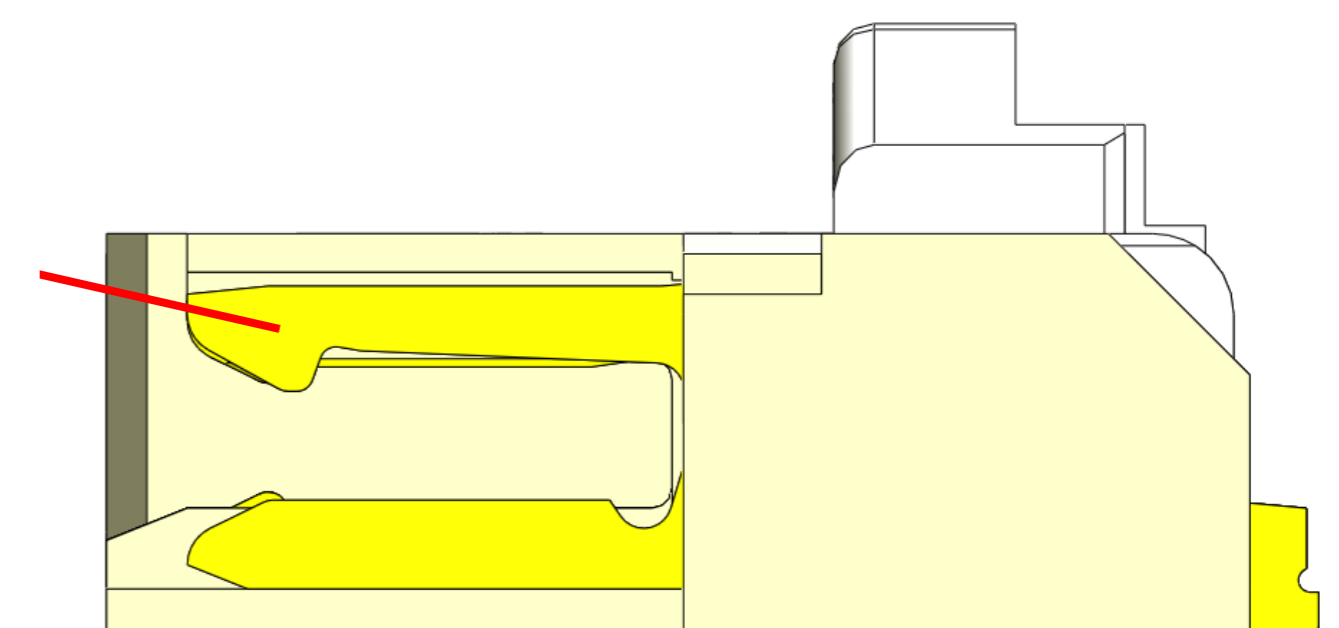
► High FPC retention force with additional mechanical lock



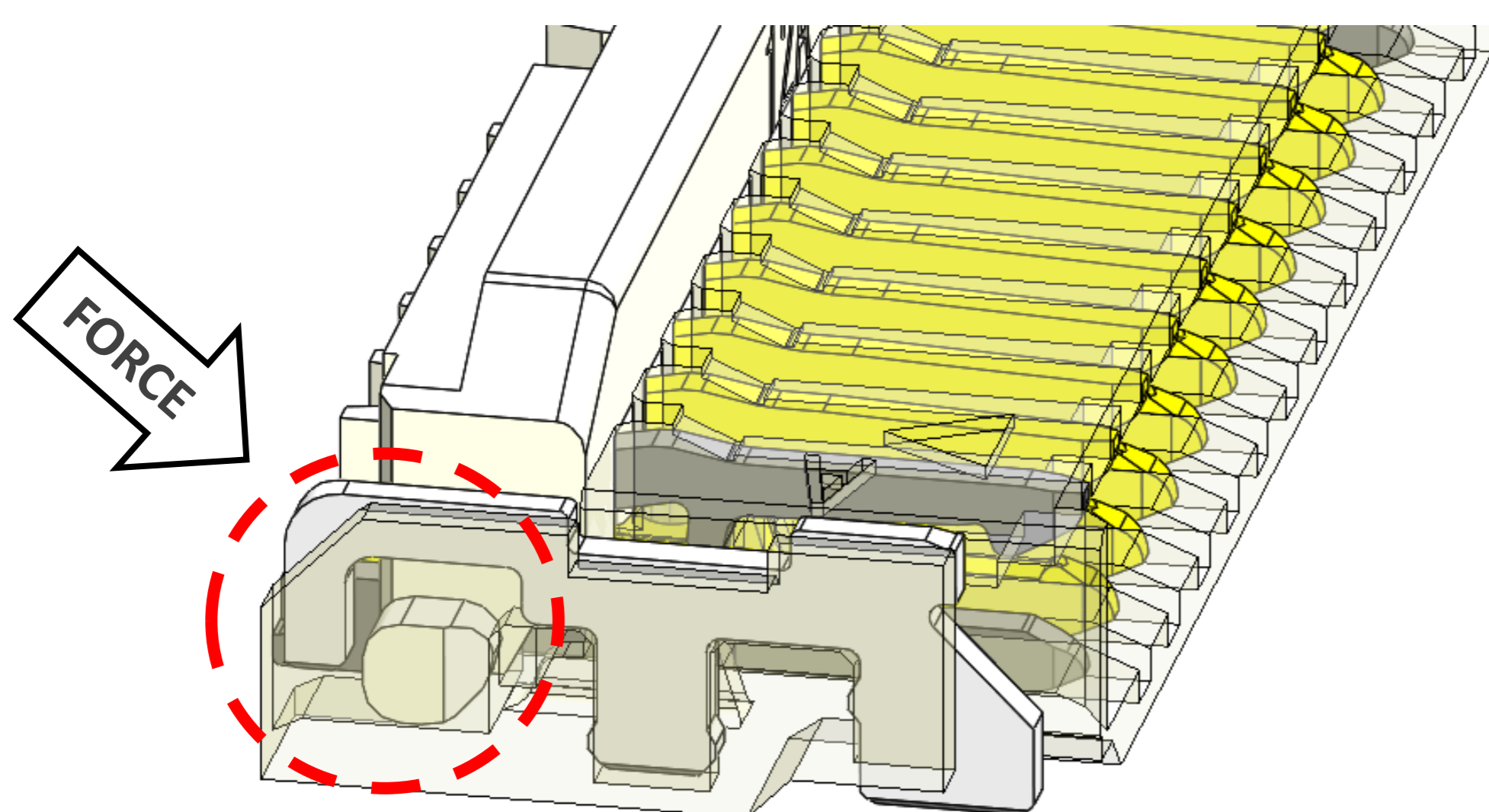
FPC LOCK mechanism maintains high FPC retention force

FPC retention force comparison (6 p)

MF5-BFN II LK	MF5-BFN II
10.59 N	4.17 N



► Unique actuator holder design prevents actuator drop-off



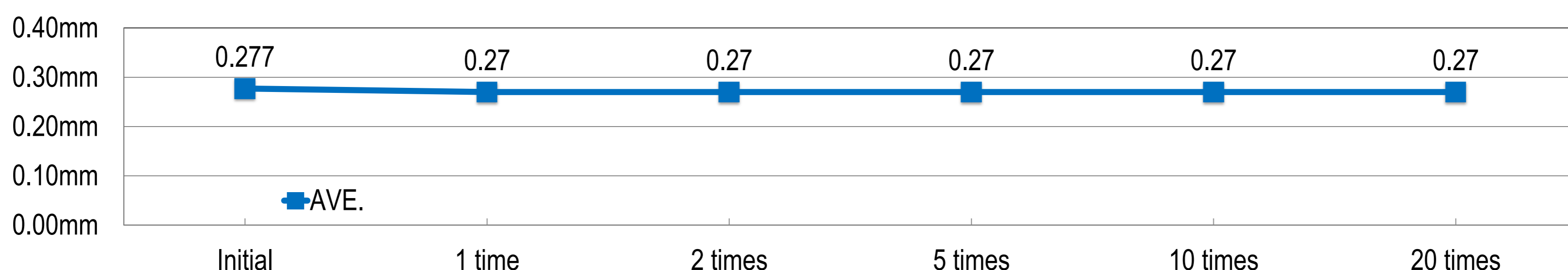
Actuator will not fall-off even at **100 N** force

- *Housing destruction occurs first
- *Force applied from 30 degrees backwards

► Usability for closing actuator without FPC

The connector will still function even if the actuator is accidentally closed without the FPC being inserted after the SMT process

- Connector will still function reliably (contact gap graph 22 pins before and after operating actuator without FPC inserted)

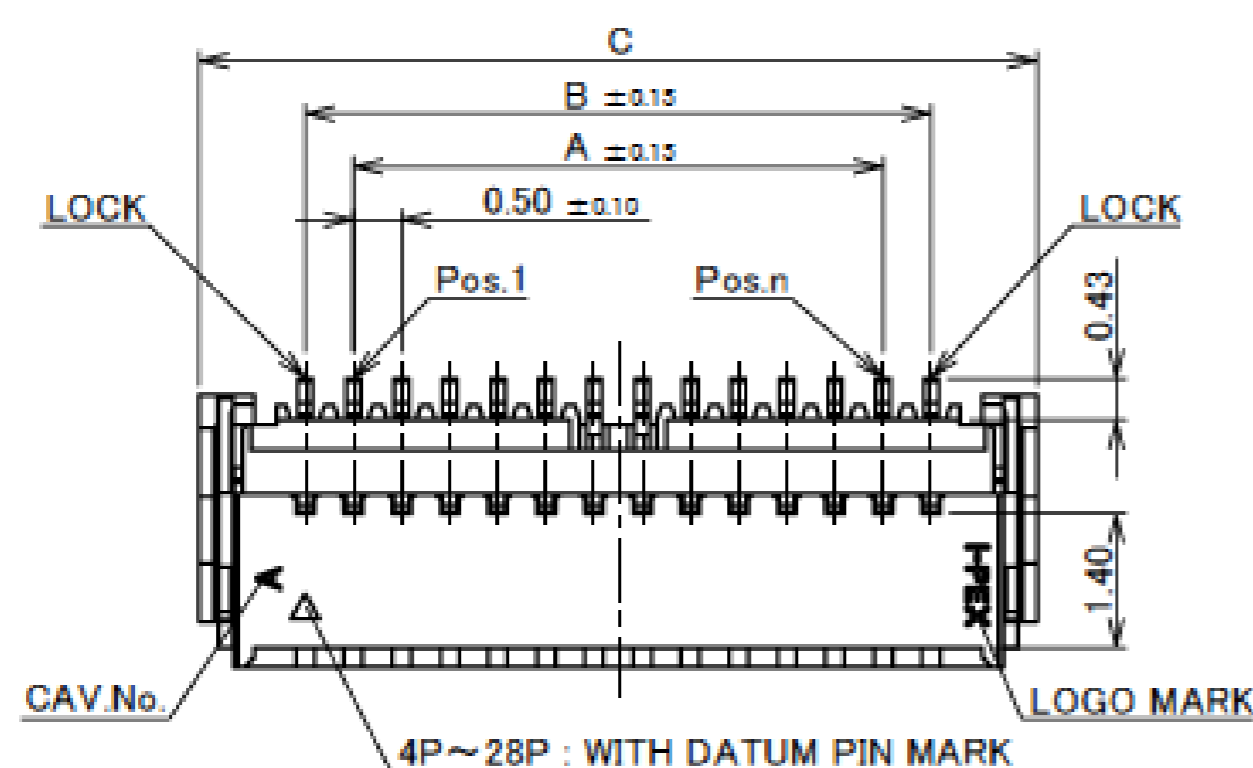


- Insertion force of connector goes up
- Retention force of connector does not change significantly

Component Parts Details

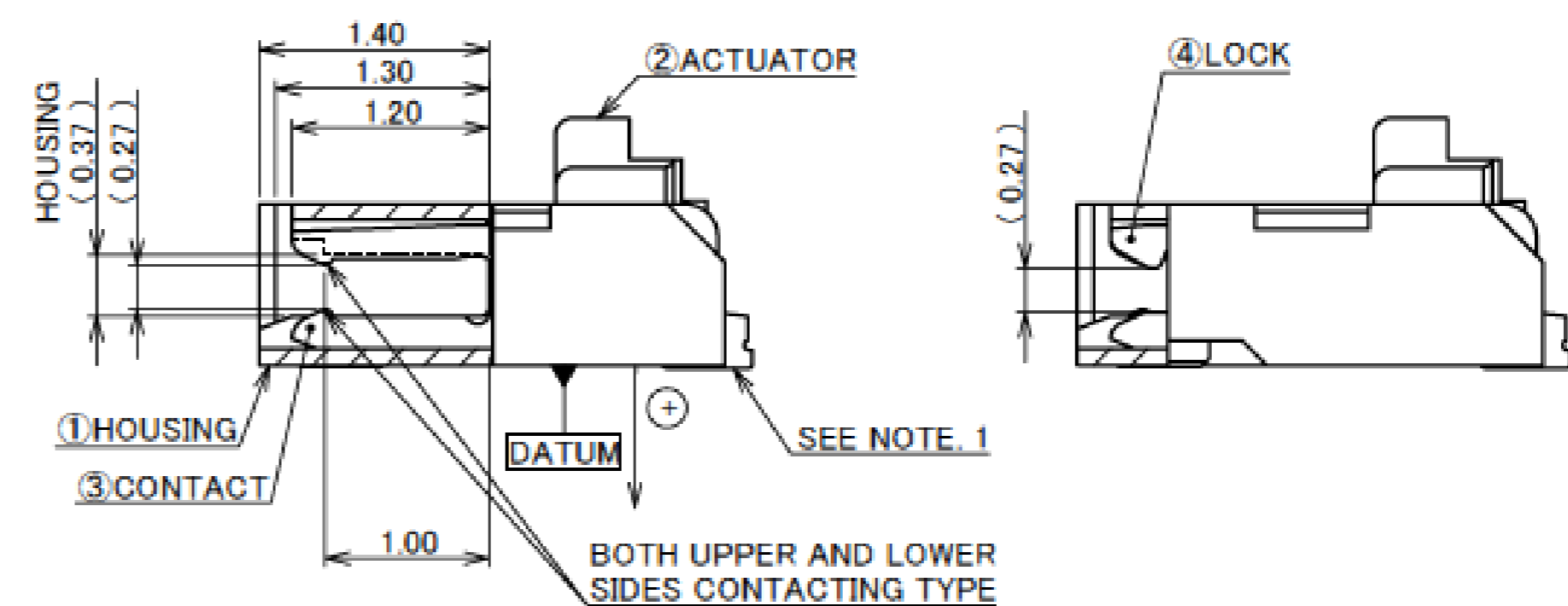
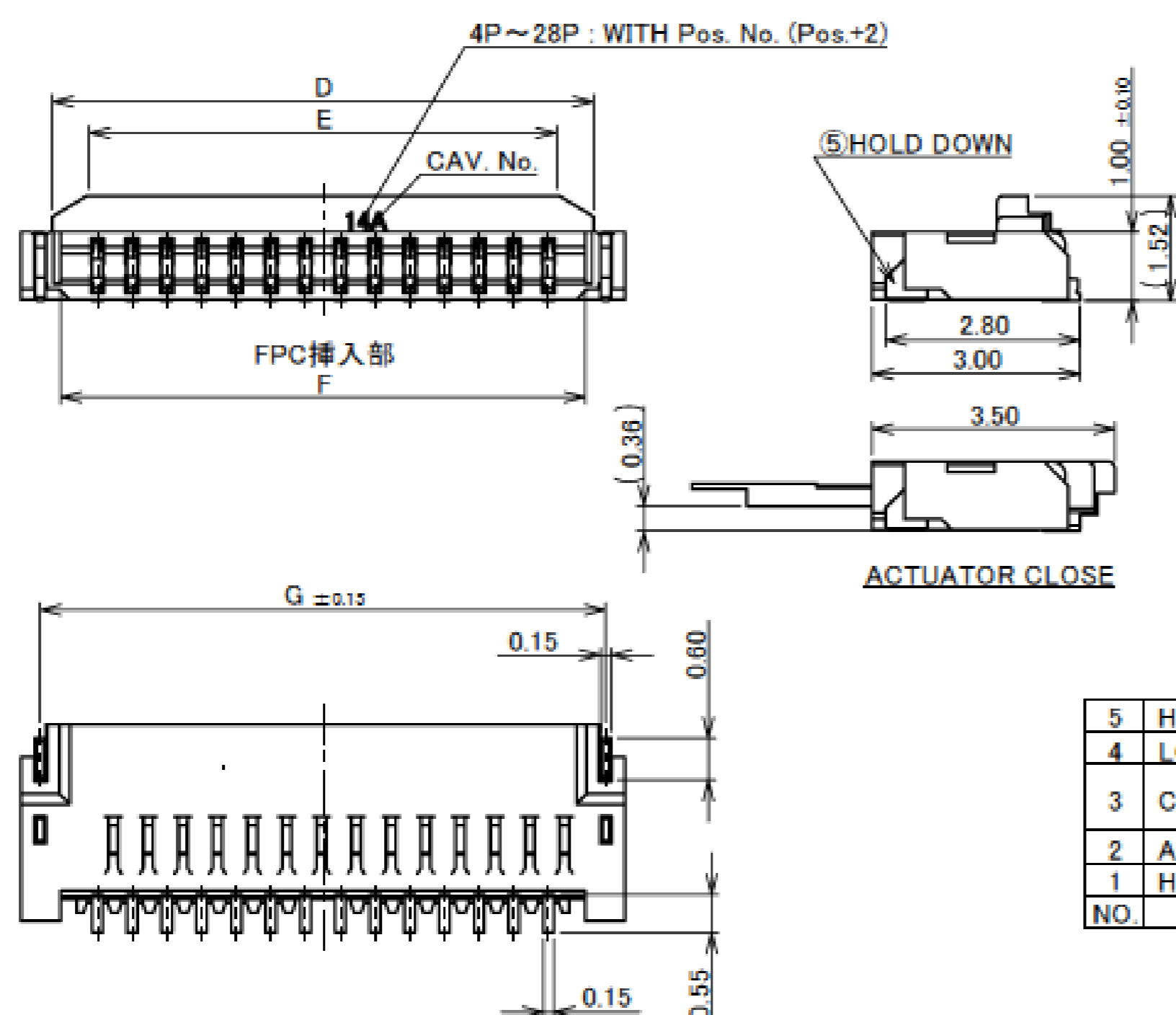
Connector Assembly

Recommended P/N 20600-0**E-01



PART No.	POS.	A	B	C	D	E	F	G
20600-004E-01	4	1.50	2.50	4.70	3.80	2.80	3.56	4.15
20600-006E-01	6	2.50	3.50	5.70	4.80	3.80	4.56	5.15
20600-008E-01	8	3.50	4.50	6.70	5.80	4.80	5.56	6.15
20600-010E-01	10	4.50	5.50	7.70	6.80	5.80	6.56	7.15
20600-012E-01	12	5.50	6.50	8.70	7.80	6.80	7.56	8.15
20600-014E-01	14	6.50	7.50	9.70	8.80	7.80	8.56	9.15
20600-016E-01	16	7.50	8.50	10.70	9.80	8.80	9.56	10.15
20600-018E-01	18	8.50	9.50	11.70	10.80	9.80	10.56	11.15
20600-020E-01	20	9.50	10.50	12.70	11.80	10.80	11.56	12.15
◆20600-022E-01	22	10.50	11.50	13.70	12.80	11.80	12.56	13.15
20600-024E-01	24	11.50	12.50	14.70	13.80	12.80	13.56	14.15
◆20600-026E-01	26	12.50	13.50	15.70	14.80	13.80	14.56	15.15
◆20600-028E-01	28	13.50	14.50	16.70	15.80	14.80	15.56	16.15

◆MARK MEANS NOT AVAILABLE.

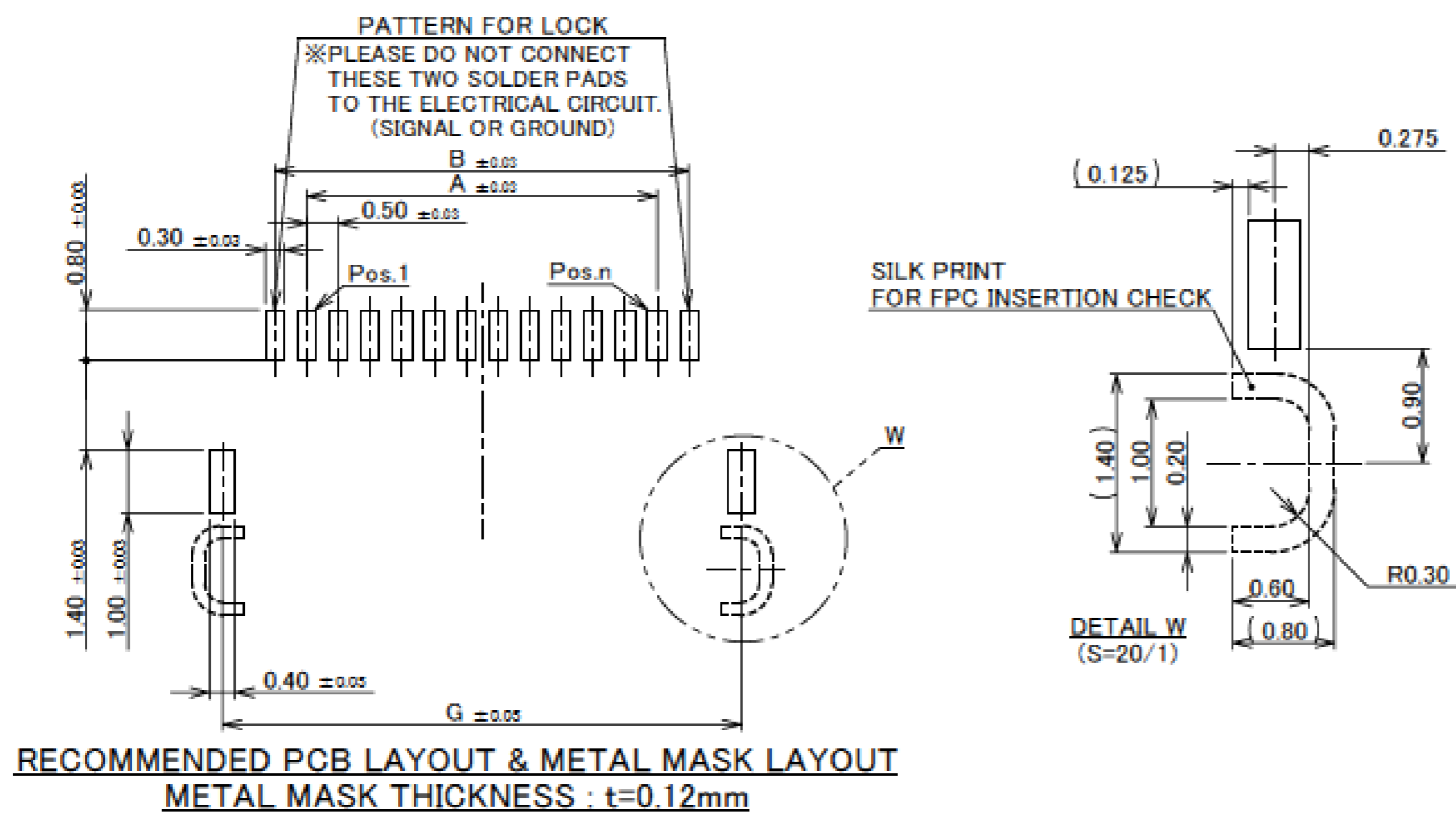


NO.	DISCRIPTION	MATERIAL	FINISH , REMARKS
5	HOLD DOWN	PHOSPHOR BRONZE	Sn 2~6 μm MIN.OVER Ni 1.0 μm MIN.
4	LOCK	PHOSPHOR BRONZE	Au 0.03 μm MIN. OVER Ni 1.0 μm MIN.
3	CONTACT	PHOSPHOR BRONZE	CONTACT AREA : Au 0.1 μm MIN. OVER Ni 1.0 μm MIN. SOLDERING AREA : Au 0.03 μm MIN. OVER Ni 1.0 μm MIN.
2	ACTUATOR	LCP	UL94V-0, BEIGE
1	HOUSING	LCP	UL94V-0, BEIGE

CAUTION VISIT OUR WEBSITE FOR LATEST VERSIONS OF INSTRUCTION MANUAL NO. HIM-12019 TO HANDLE THE PRODUCT PROPERLY AND SAFELY.

NOTES
1. CONTACT TAIL IS PROJECTION FROM HOUSING IN THE + DIRECTION. (0~0.06)

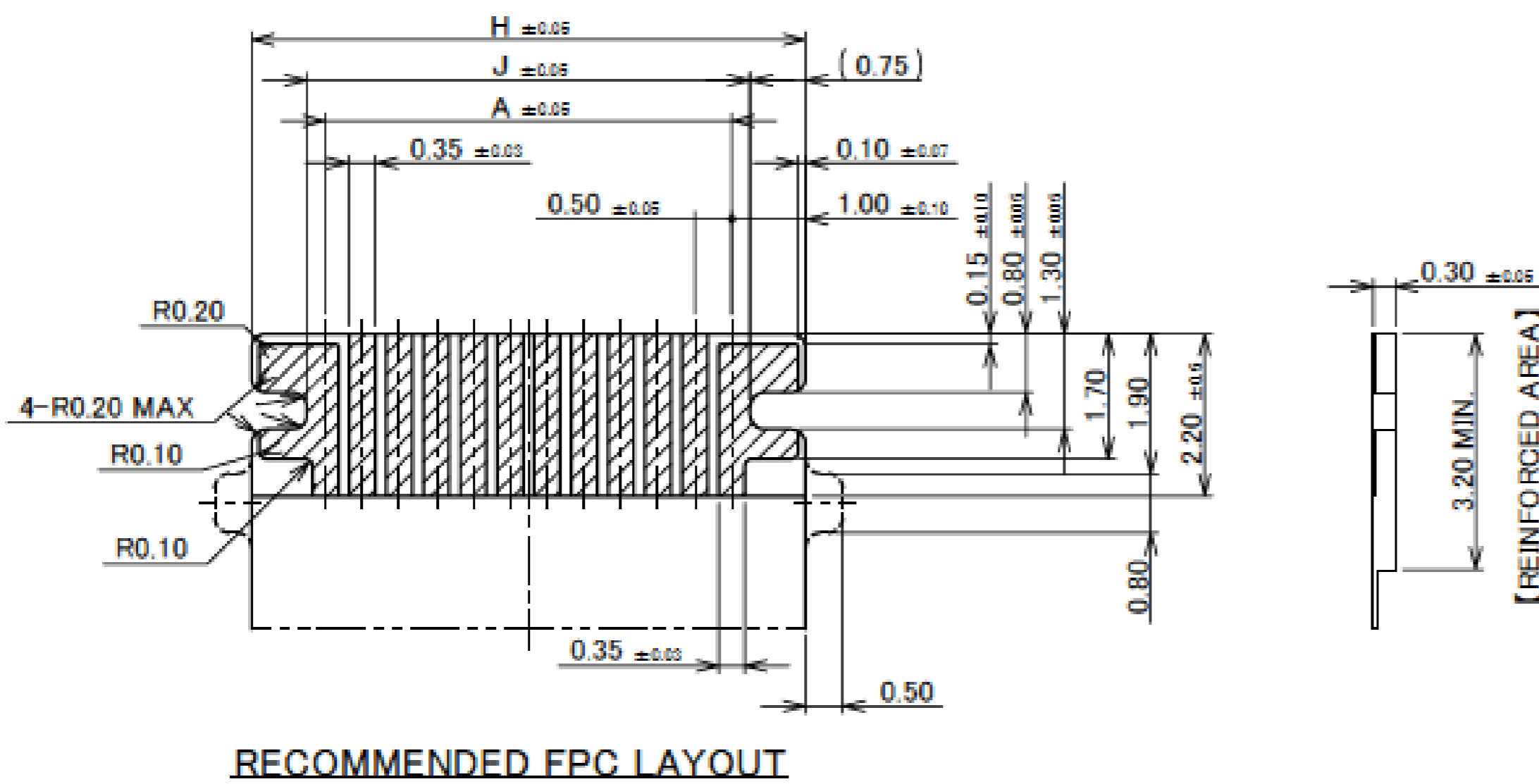
Connector Assembly



PART No.	POS.	A	B	G	H	J
20600-004E-01	4	1.50	2.50	4.15	3.50	2.00
20600-006E-01	6	2.50	3.50	5.15	4.50	3.00
20600-008E-01	8	3.50	4.50	6.15	5.50	4.00
20600-010E-01	10	4.50	5.50	7.15	6.50	5.00
20600-012E-01	12	5.50	6.50	8.15	7.50	6.00
20600-014E-01	14	6.50	7.50	9.15	8.50	7.00
20600-016E-01	16	7.50	8.50	10.15	9.50	8.00
20600-018E-01	18	8.50	9.50	11.15	10.50	9.00
20600-020E-01	20	9.50	10.50	12.15	11.50	10.00
◆20600-022E-01	22	10.50	11.50	13.15	12.50	11.00
◆20600-024E-01	24	11.50	12.50	14.15	13.50	12.00
◆20600-026E-01	26	12.50	13.50	15.15	14.50	13.00
◆20600-028E-01	28	13.50	14.50	16.15	15.50	14.00

◆ MARK MEANS NOT AVAILABLE.

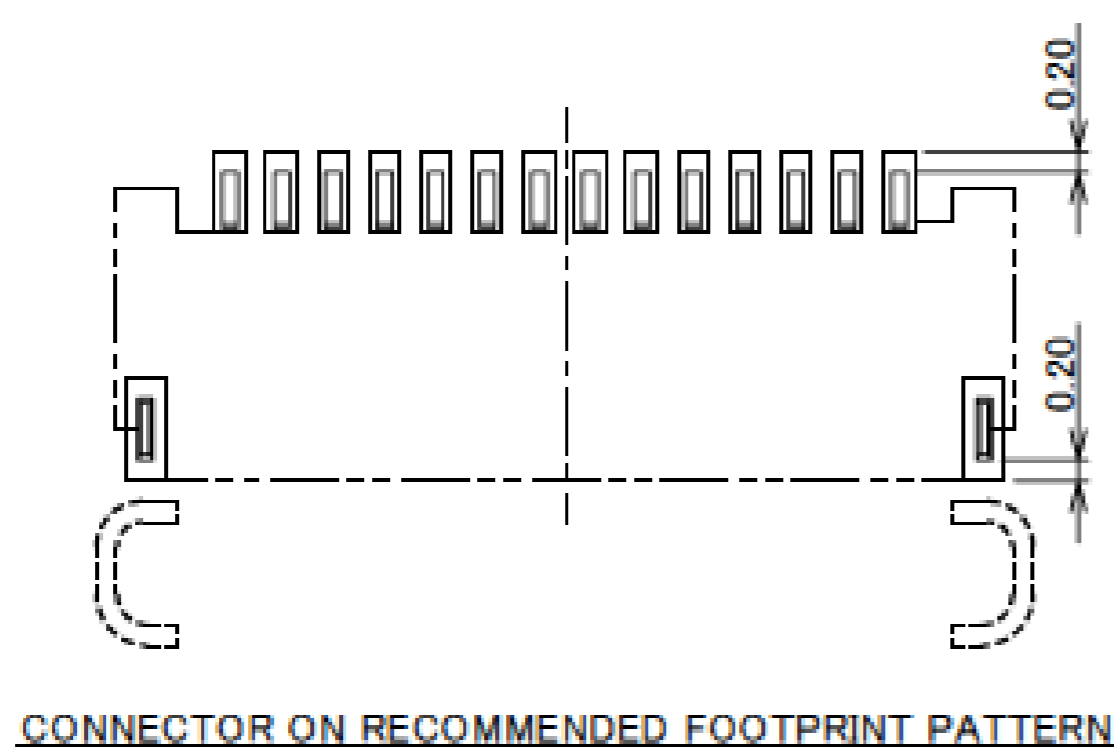
RECOMMENDED PCB LAYOUT & METAL MASK LAYOUT
METAL MASK THICKNESS : t=0.12mm



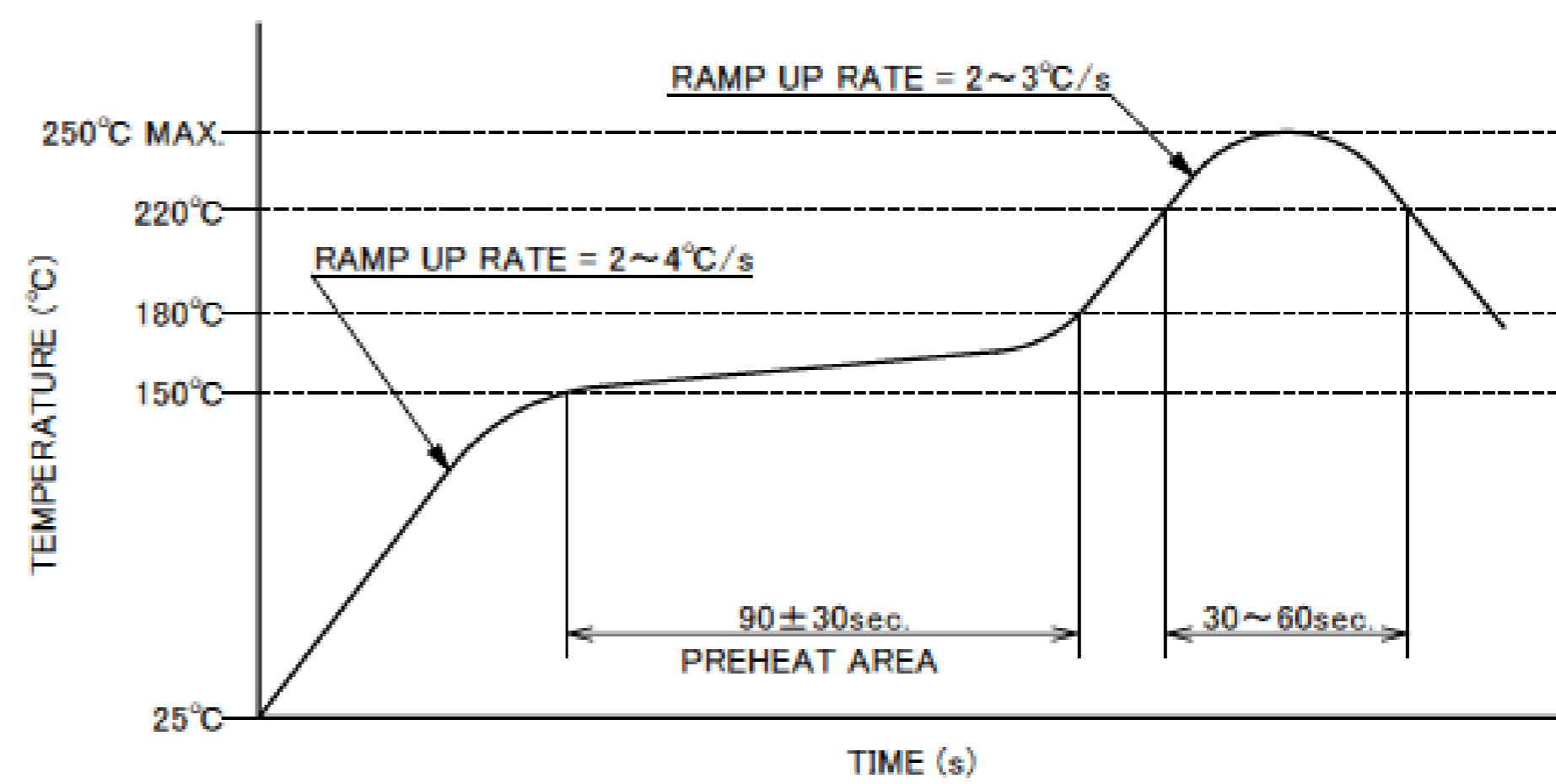
- NOTES
2.MATERIAL
COVER FILM : PI
CONDUCTOR : COPPER(RARE)
BASE FILM : PI
STIFFENER : PI
ADHESIVE : THERMOSETTING ADHESIVE
3.FINISH
Au OVER Ni PLATING.

RECOMMENDED FPC LAYOUT

Rev.9



CONNECTOR ON RECOMMENDED FOOTPRINT PATTERN



REFLOW TEMPERATURE PROFILE
SENJU METAL INDUSTRY CO., LTD. : M705-SHF(Sn96.5 Ag3.0 Cu0.5)

Rev.9

Connector Assembly

ITEMS	SPECIFICATION
RATING VOLTAGE	50V AC (PER CONTACT)
RATING AMPERAGE	0.5A DC (PER CONTACT) 7.0A DC (PER CONNECTOR)
OPERATING TEMPERATURE	233~398K(-40°C~125°C)
OPERATING HUMIDITY	80% MAX.(NON-CONDENSING)
CONTACT RESISTANCE	INITIAL : 40mohm MAX. / AFTER TEST : \triangleleft 20mohm MAX.
INSULATION RESISTANCE	100Mohm MIN.
DIELECTRIC WITHSTANDING VOLTAGE	AC200V 1min
DURABILITY	20TH CYCLES
ACTUATOR LOCKING FORCE (INITIAL / 20TH CYCLES)	INITIAL/ 20TH CYCLES : $0.6N(61gf) \times (n + 2)$ MAX.
ACTUATOR UNLOCKING FORCE (INITIAL / 20TH CYCLES)	INITIAL/ 20TH CYCLES : $0.05N(5gf) \times (n + 2)$ MIN.
FPC RETENTION FORCE (INITIAL / AFTER TEST)	INITIAL : $0.15N(15gf) \times n + 2.0N$ MIN. / AFTER TEST : $0.15N(15gf) \times n + 1.0N$ MIN.
COPLANARITY	0.08 MAX.
PRODUCT SPECIFICATION	PRS-1841
TEST REPORT	TR-14132
PACKING STANDARD	PST-13031
INSTRUCTION MANUAL	HIM-12019
APPEARANCE CRITERIA No.	QLS-A***


※ "n" IS THE NUMBER OF PIN

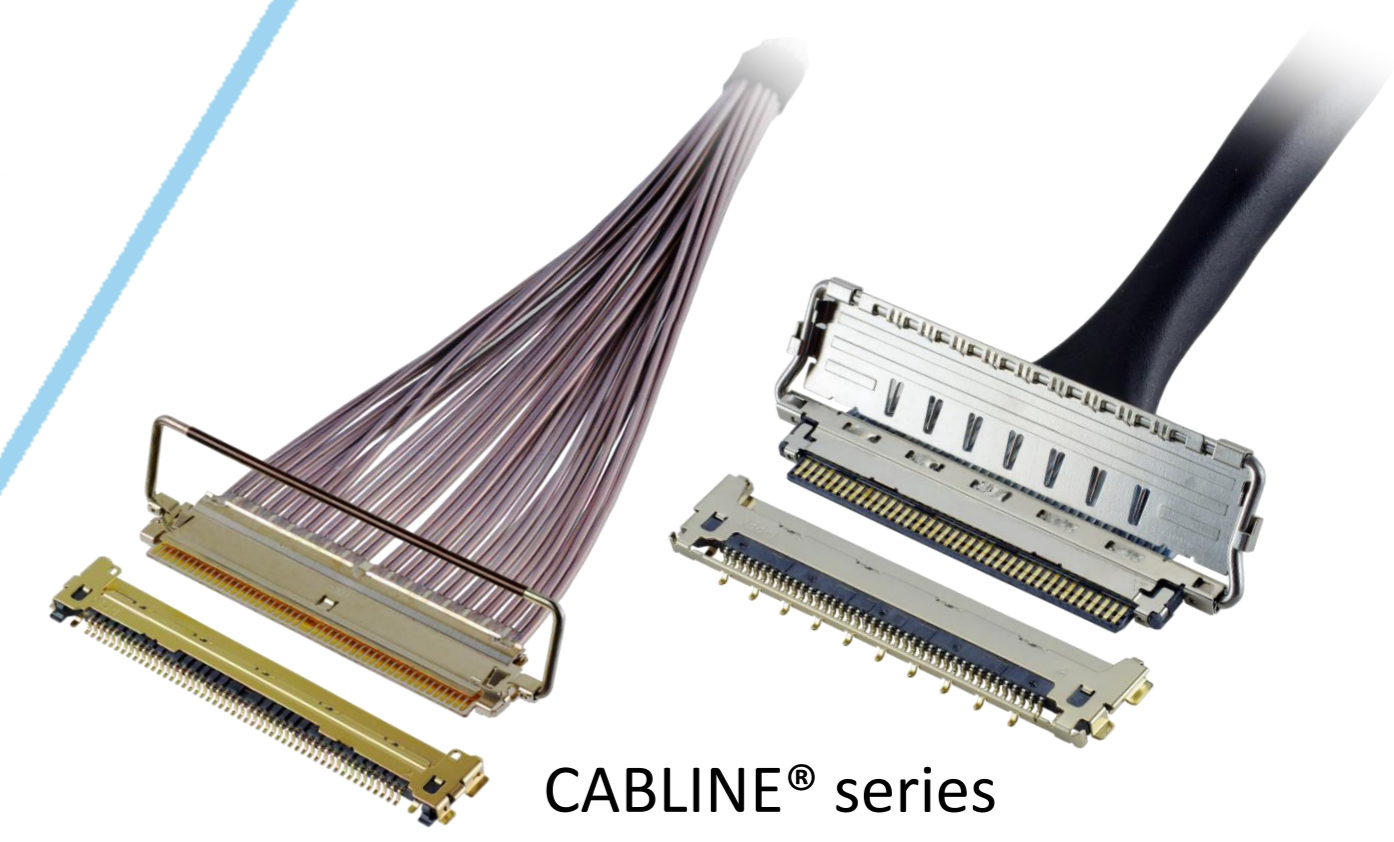
Custom Connectors Available

 RF Connector

MHF® series



 CABLINE® series
Micro-coaxial/Twinax/
Discrete Wire Connector



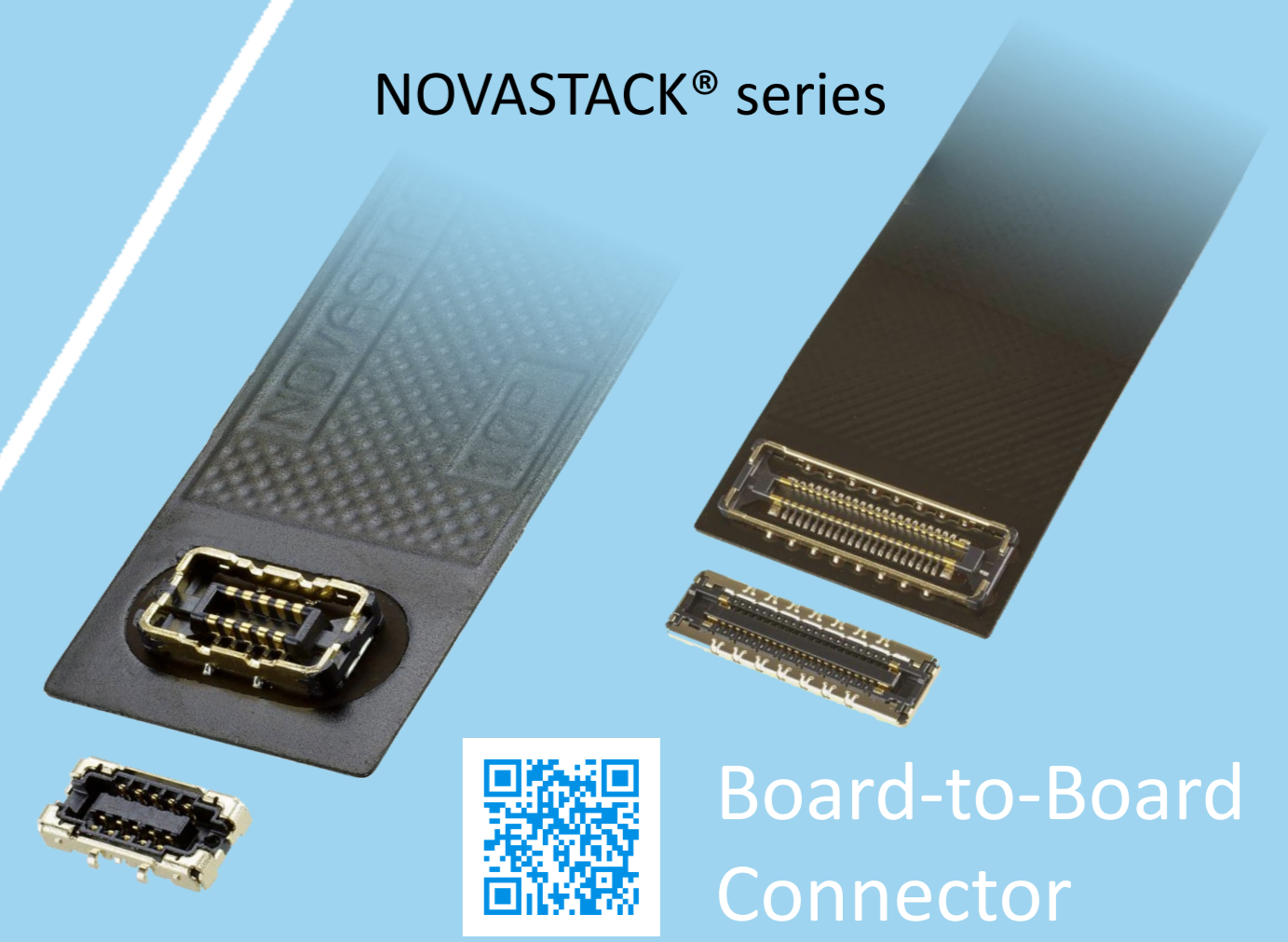
 Optical Module

LIGHTPASS® series



NOVASTACK® series

 Board-to-Board Connector



 Power Connector/
Terminal

AP series

ISH® series



MINIFLEX® series

EVAFLEX® series



 FPC FFC Connector

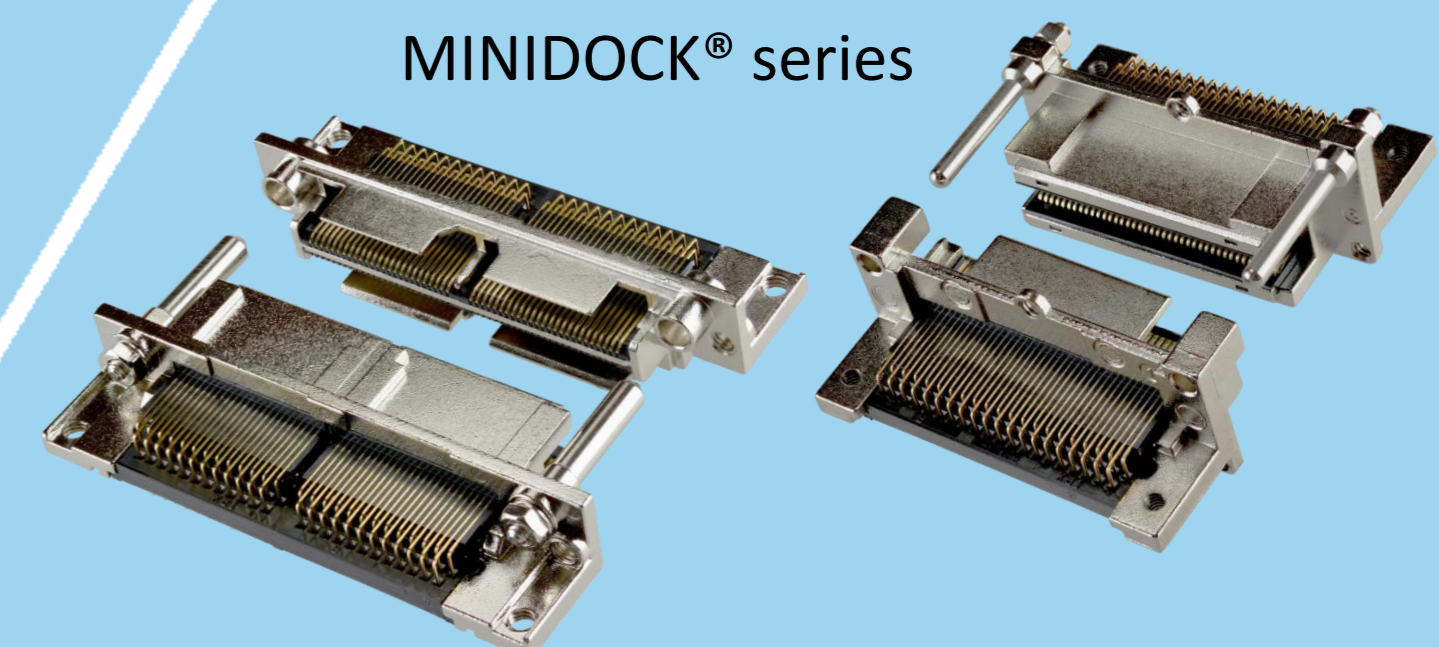


Inquiry



MINIDOCK® series

 I/O Connector



I-PEX, MHF, CABLINE, LIGHTPASS, NOVASTACK, ISH, IARPB, MINIFLEX, EVAFLEX, MINIDOCKS and ZenShield are registered trademarks of I-PEX Inc. Please note that the contents in the catalog might be changed without prior notification. I-PEX Inc. assumes no responsibility for any inaccuracies or obligation to update information on these documents. Please be sure to read and understand the latest "Precautions for Use" and "Instruction Manual" before you use our products. We shall not be responsible for any defects, damages or troubles in case you use our products without following the precautions for use. Please feel free to contact our sales representatives when you use our products for any applications that require very high reliability and safety, or that relate to human life (ex. nuclear power control, aerospace, transportation, medical equipment, safety equipment etc.).

Contact your sales representative or more detailed information.

www.i-pex.com



I-PEX

© I-PEX Inc. 2024
All rights reserved