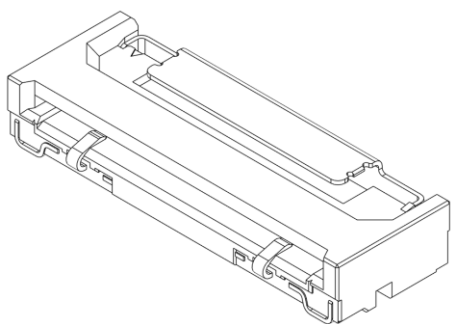


PRODUCT INFO



The 11501 Series is a 0.5mm pitch NON-ZIF RA type FFC connector. Compatible with FFC with shield that enables high-speed transmission of digital signals. A shield is attached and EMC measures are also taken. The optimized contact structure supports up to 20Gbps transmission range by selecting FFC. (Representative reference value defined by the company) Impedance matching: Differential 100Ω
It has the "Auto I-Lock" structure unique to Iriso that locks automatically when the FFC card is inserted. As a robot assembly compatible connector, it contributes to assembly automation.

【Target Application】

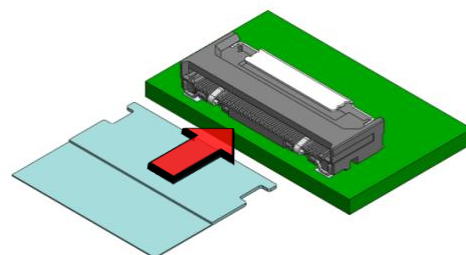
ADAS (sensing devices), infotainment (cockpits), home appliances, Commercial appliances, communications equipment, industrial equipment, robots

Feature 1 : Auto I-Lock™

Automatically locked function

This series adopt IRISO original technology "Auto I-Lock™ *1", it is able to eliminate the process of opening and closing of the slider or cover to lock FPC/FFC, and it is automatically locked when you insert the FPC/FFC card. This function prevent slanted insert or incomplete mating, therefore improve the workability. (Press upper surface of the lever to unlock.)

(*1) Auto I-Lock is a registered trademark of IRISO Electronics Co., Ltd.



Feature 2 : High Speed

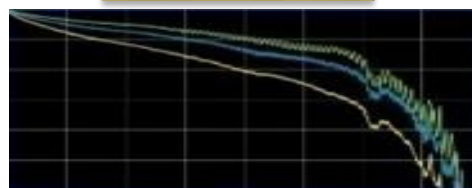
Taking Reliability at High Speed Transmission to the Next Level

The demand for high-frequency component signals is omnipresent. Ever advancing technology requires modern devices to have high-speed and reliable transmission from it's connected components. IRISO has met this challenge by combining our floating connectors with high-speed transmissions technology.

Characteristic Impedance



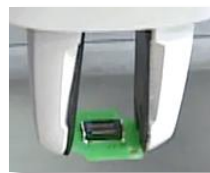
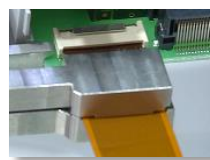
S-Parameters



Feature 3 : Automation

IRISO Connectors for Factory Automation and Robotics

Automated assembly not only cuts labor costs, but it increases quality. Certain automation, however, can have adverse effects like adhesion of foreign matter, mounting/mating misalignments, and incomplete mating. To overcome these issues, IRISO has launched the "Robot Assembly Compatible Connector" concept to solve these automated assembly problems.



IMSA-11501S-**Y9**

Product Spec		
Item	Unit	Specification
Pitch	mm	0.5
Lock	—	Auto I-Lock
Pin Counts	ckt	8~60
Mount Type	—	Right angle
Operating Temperature Range	°C	-40~+105
Rated Current	A	0.5
Rated Voltage	V	50
Contact Resistance	mΩ	40
Withstand Voltage	V	250
Durability (Insertion/Withdrawal)	times	20

* For packaging info, please refer to our packaging drawing.

Socket

Component	Material	Plating
Housing	LCP	—
Contact	Corson Alloy	Gold
Metal Flange	Phospher Bronze	Tin
Half Lock Contact	Phospher Bronze	Tin

*Contents are subject to change without prior notice, due to our quest for improving product performance. Dimensions and specifications described herein are limited to major items. For more details on how to use this connector, please request a drawing and specification sheet. *Specifications may be subject to changes without prior notice, due to our quest for improving product performance.

