

## specifications

---

The In-Line Fiber Splice Closure shall house, organize, manage and protect fiber optic cables and splices. The closure shall be hermetically sealed and provide IP68 rated protection when properly used with the provided grommet, to seal cable entry and exits. The closure shall be validated to accommodate a maximum of 96 single fusion fibers or 288 ribbon fusion fibers, when the appropriate tray is installed. To be included are the closure assembly, and grommet kit.



## technical information

---

**Dimensions:** 18.7"W x 10.0"L x 3.7"H (475 x 254 x 94mm)

**Standards:** Telcordia<sup>®</sup> GR-771-CORE Buried, Underground

**Ingress Protection:** IP68

---

## key features and benefits

---

**Hinged cover** Allows for quick, easy access to the closure interior

**Versatile splice management** Internal organizer manages single fusion fiber tube or ribbon fusion fiber trays

**Robust exterior construction** Hard molded closure and cover allows a variety of installation options, including direct bury, manhole, and hand-hole

**IP68 rated** Grommet sealed cable entry and exits protect splices from moisture and environmental debris

---

## applications

---

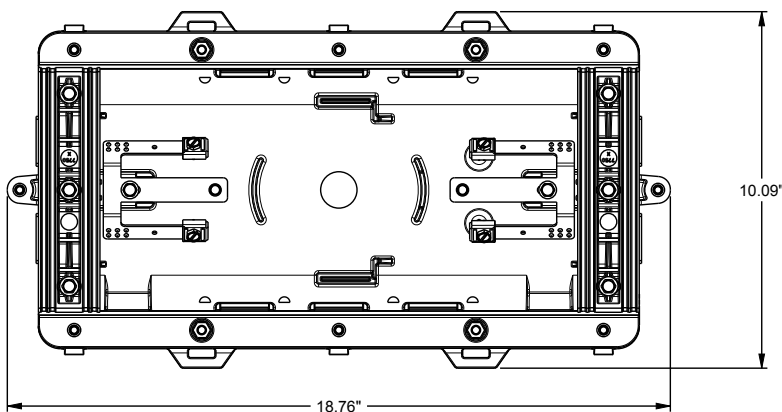
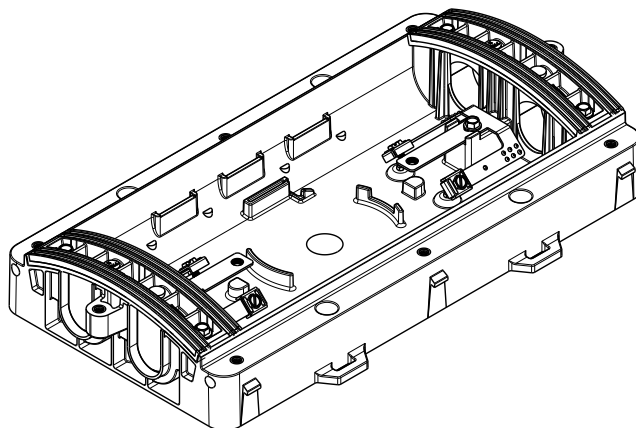
The In-Line Fiber Splice Closure protects spliced fibers in a hermetically sealed encasement and can be installed underground or in a man/hand-hole. Grommet kits are included to allow for flexibility in cable size, while sealing entry/exit points to provide an IP68 rated seal. The closure accepts either ribbon or buffer fiber splice trays without the need for additional installation hardware, allowing for versatility in splicing and organization. The cable restraint hardware inside the closure provides proper pull-out strength and restricts the strength member from pistoning inside the closure.

# Outdoor In-Line Closure

## selection information

Part Number	Description
OFCI1810BR	In-Line closure, 18.7" x 10", accepts single fusion and ribbon fiber trays, includes grommet kit: (1) 2-hole 0.42"-0.60", (2) 1-hole 0.40"-0.60", and (1) 4-hole 0.30"-0.43".

Accessories	Description	Maximum Tray Capacity
OFC24SST	Single Fiber Splice Tray, 24 Ct.	4
OFC144RST	Ribbon Fiber Splice Tray, 144 Ct.	2



Dimensions are in inches.

### WORLDWIDE SUBSIDIARIES AND SALES OFFICES

PANDUIT US/CANADA  
Phone: 800.777.3300

PANDUIT EUROPE LTD.  
London, UK  
Phone: 44.20.8601.7200

PANDUIT SINGAPORE PTE. LTD.  
Republic of Singapore  
Phone: 65.6305.7575

PANDUIT JAPAN  
Tokyo, Japan  
Phone: 81.3.6863.6000

PANDUIT LATIN AMERICA  
Guadalajara, Mexico  
Phone: 52.33.3777.6000

PANDUIT AUSTRALIA PTY. LTD.  
Victoria, Australia  
Phone: 61.3.9794.9020

For a copy of Panduit product warranties, log on to [www.panduit.com/warranty](http://www.panduit.com/warranty)

# PANDUIT®

For more information  
Visit us at [www.panduit.com](http://www.panduit.com)  
Contact Customer Service by email: [cs@panduit.com](mailto:cs@panduit.com)  
or by phone: 800.777.3300

© 2019 Panduit Corp.  
ALL RIGHTS RESERVED.  
Printed in the U.S.A.  
ZCSP38--WW-ENG  
11/2019