



Fiber Optics > Fiber Optic Connectors > Backplane Fiber Optics > Backplane Fiber Optics connector kit



Fiber Optic Connector Type: **Module (Daughtercard) Kit**

[All Backplane Fiber Optics connector kit \(4\)](#)

Features

Product Type Features

Fiber Optic Product Type	Connector Kit
Fiber Optic Connector Type	Module (Daughtercard) Kit

Configuration Features

Number of MT Ferrule Cavities	1
-------------------------------	---

Body Features

Primary Product Material	Aluminum
--------------------------	----------

Usage Conditions

Operating Temperature Range	-40 - 85 °C
-----------------------------	-------------

Product Compliance

[For compliance documentation, visit the product page on TE.com>](#)

EU RoHS Directive 2011/65/EU	Compliant
EU ELV Directive 2000/53/EC	Compliant
China RoHS 2 Directive MIIT Order No 32, 2016	No Restricted Materials Above Threshold
EU REACH Regulation (EC) No. 1907/2006	Current ECHA Candidate List: JAN 2024 (240) Candidate List Declared Against: JUL 2021 (219) SVHC > Threshold: Cd (.31%) <small>Article Safe Usage Statements: Use personal protective equipment as required. Do not eat, drink or smoke when using this product. Recycle if possible and dispose of the article by following all applicable governmental regulations relevant to your geographic location.</small>
Halogen Content	Low Halogen - Br, Cl, F, I < 900 ppm per homogenous material. Also BFR/CFR/PVC



Free

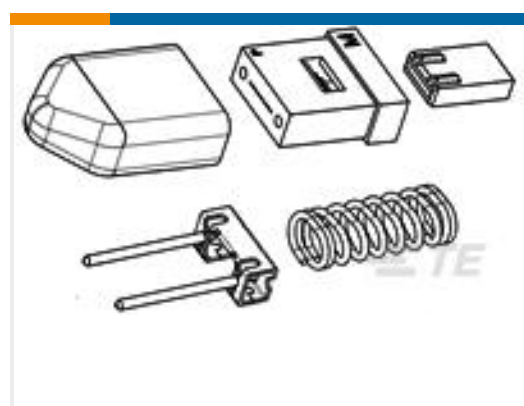
Solder Process Capability

Not applicable for solder process capability

Product Compliance Disclaimer

This information is provided based on reasonable inquiry of our suppliers and represents our current actual knowledge based on the information they provided. This information is subject to change. The part numbers that TE has identified as EU RoHS compliant have a maximum concentration of 0.1% by weight in homogenous materials for lead, hexavalent chromium, mercury, PBB, PBDE, DBP, BBP, DEHP, DIBP, and 0.01% for cadmium, or qualify for an exemption to these limits as defined in the Annexes of Directive 2011/65/EU (RoHS2). Finished electrical and electronic equipment products will be CE marked as required by Directive 2011/65/EU. Components may not be CE marked. Additionally, the part numbers that TE has identified as EU ELV compliant have a maximum concentration of 0.1% by weight in homogenous materials for lead, hexavalent chromium, and mercury, and 0.01% for cadmium, or qualify for an exemption to these limits as defined in the Annexes of Directive 2000/53/EC (ELV). Regarding the REACH Regulation, the information TE provides on SVHC in articles for this part number is based on the latest European Chemicals Agency (ECHA) 'Guidance on requirements for substances in articles' posted at this URL: <https://echa.europa.eu/guidance-documents/guidance-on-reach>

Compatible Parts



TE Part # 2102866-2
MT Ferrule Kit w/ Spring/Pins/Holder, MM



TE Part # 2226880-1
CONNECTOR KIT, RCPT, BACKPLANE, MT,V66.4



TE Part # 2828775-1
VITA 67 OSMM RF/OPTIC COMBO MODULE



TE Part # 2828736-1
VPX OPTICAL MODULE, FOR V67.3D BP CUTOUT



TE Part # 2313212-2
MT FERRULE KIT, PLUG, MM, 12F, LOW-LOSS

Customers Also Bought



TE Part # 1410968-3
MULTIGIG RT2 7RW RTM DC DF CT



TE Part # 2102735-1
BP, Half Left End, MULTIGIG RT 2R



TE Part # 1410188-3
MULTIGIG RT T2 7RW DC DF F-RGT



TE Part # 1410975-3
MULTIGIG RT2 7RW DC RTM CT



Documents

Product Drawings

CONNECTOR KIT, PLUG-IN MODULE, MT,V66.4

English

CAD Files

3D PDF

3D

Customer View Model

[ENG_CVM_CVM_2226881-1_A.2d_dxf.zip](#)

English

Customer View Model

[ENG_CVM_CVM_2226881-1_A.3d_igs.zip](#)

English

Customer View Model

[ENG_CVM_CVM_2226881-1_A.3d_stp.zip](#)

English

By downloading the CAD file I accept and agree to the [Terms and Conditions](#) of use.

Datasheets & Catalog Pages

SOSA Aligned Interconnect Solutions

English

Product Specifications

Application Specification

English