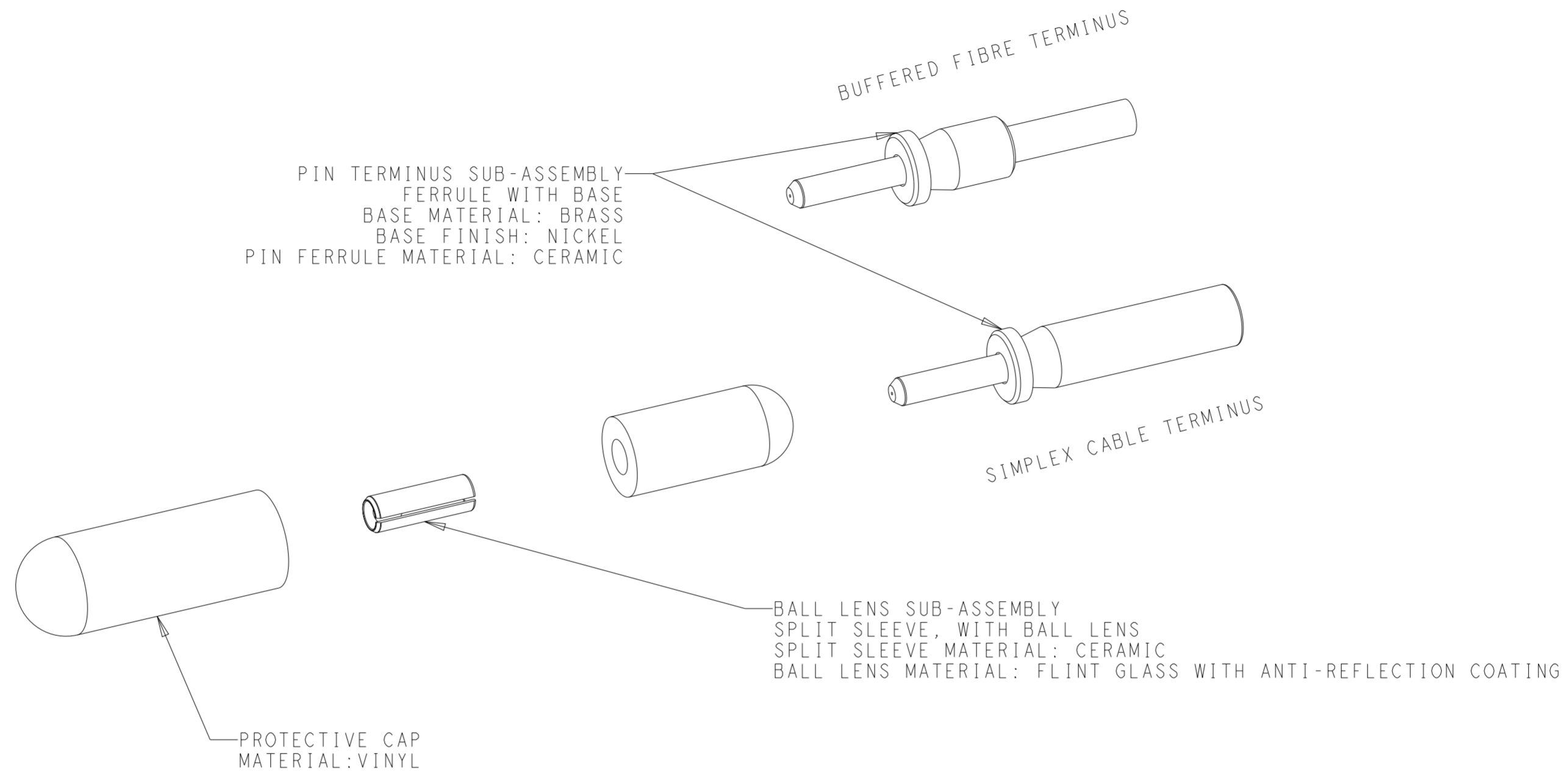


THIS DRAWING IS UNPUBLISHED. RELEASED FOR PUBLICATION 20  
 © COPYRIGHT 20 BY - ALL RIGHTS RESERVED.

REVISIONS				
P	LTR	DESCRIPTION	DATE	APVD
A		RELEASED	18NOV2019	DF SM
A1		ECO-20-014881	10NOV2020	SR DW
B		ECN-22-144743	21MAR2022	CG JS



0.90 MM BUFFERED FIBER	126/127	2332897-2
1.6-2.0 MM SIMPLEX CABLE	126/127	2332897-1
CABLE SIZE	FERRULE HOLE SIZE (µM)	PART NUMBER

THIS DRAWING IS A CONTROLLED DOCUMENT.		DWN D. FABIAN	14NOV2018	<b>STE</b> TE Connectivity															
DIMENSIONS: mm		CHK -	APVD -			NAME KIT, PIN TERMINUS SIZE 16 EB, MM													
TOLERANCES UNLESS OTHERWISE SPECIFIED:		APVD -	PRODUCT SPEC -	APPLICATION SPEC -	RESTRICTED TO -														
<table border="1"> <tr> <td>0 PLC</td> <td>±</td> </tr> <tr> <td>1 PLC</td> <td>±</td> </tr> <tr> <td>2 PLC</td> <td>±0.13</td> </tr> <tr> <td>3 PLC</td> <td>±0.013</td> </tr> <tr> <td>4 PLC</td> <td>±</td> </tr> <tr> <td>ANGLES</td> <td>±1</td> </tr> <tr> <td>FINISH</td> <td>-</td> </tr> </table>		0 PLC	±	1 PLC	±	2 PLC	±0.13	3 PLC	±0.013	4 PLC	±	ANGLES	±1	FINISH	-	WEIGHT -	SIZE A2	CAGE CODE 00779	DRAWING NO C-2332897
0 PLC	±																		
1 PLC	±																		
2 PLC	±0.13																		
3 PLC	±0.013																		
4 PLC	±																		
ANGLES	±1																		
FINISH	-																		
MATERIAL -		CUSTOMER DRAWING	SCALE 5:1	SHEET 1 OF 1	REV B														