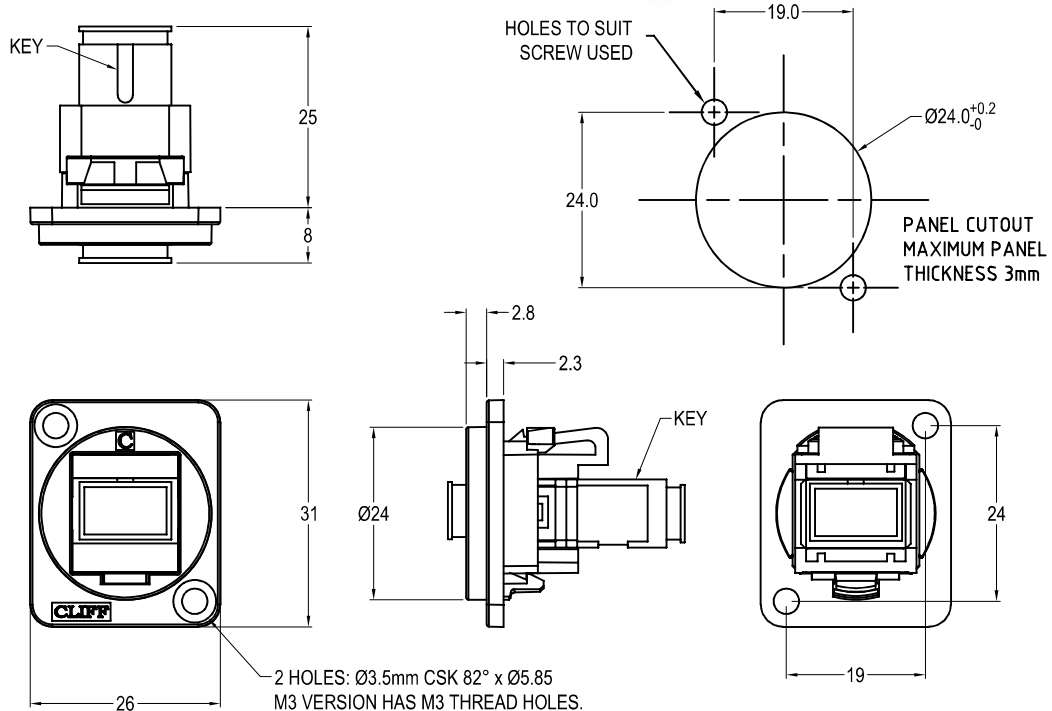




SC APC SIMPLEX METAL FEEDTHROUGH CONNECTOR



Feedthrough Features

- Fits standard XLR $\varnothing 24$ mm cutout.
- No soldering or punch termination. Use standard cable for each connector style.
- Front or rear mounted.
- Low rear profile

General:

Please note: Functionality is affected by cable quality, length and cable wiring configuration.

VARIANTS

Part No.

- CP30249MB** SC APC Simplex Black metal frame, CSK holes
- CP30249M3B** SC APC Simplex Black metal frame, M3 holes

Material:

1. Coupler Body: PBT
2. Sleeve: Ceramic
3. Dust Cover: ABS
4. Insert: ABS/PC
5. Frame: Black Nickel plated zinc diecast

Notes:

1. Insertion Loss: ≤ 0.3 dB
2. Dust caps may vary