

Data sheet

OpDAT Industry SC-RJ/2SC SM adapter insert

Page 1/5

P/N

1402K00820MI

EAN 4250184115892

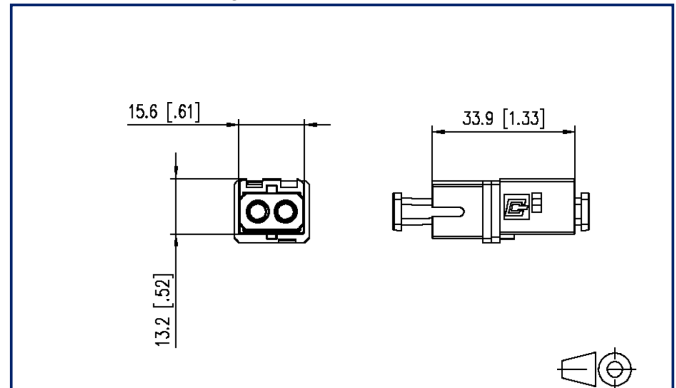
2024/04/09

Version: U

Illustrations



Dimensional drawing



See enlarged drawings at the end of document

Product specification

- SC-RJ/2SC adapter
- slotted ceramics sleeve for single mode applications
- slotted metal sleeve (Ph-Br) for multi mode applications
- conformity with relevant IEC framework specifications with regard to testing conditions and connector compatibility unilaterally to connector version SC to IEC 61754-4, IEC 60874-14 and SC-RJ to IEC 61745-24, EN 50377-6-1
- compliance with EN 50173-1 or ISO/IEC 24702 with regard to the limits for insertion loss
- flame-retardant and halogen-free plastic housing
- flame-retardant and halogen-free dust cover
- in flange or wall outlet of var. 1 and 4 - suitable for integration
- variant 14 only available in sets
- service life: min. 500 plug-in cycles
- operating temperature -40°C to +70°C
- variants: blue (SM), beige (MM)



Technical Data

General Data

Mechanical measurement according to MICE	M1
Ingress measurement according to MICE	I1
Climatic measurement according to MICE	C1
Electromagnetic measurement according to MICE	E3
Design	coupler / adapter (FO)
Transmission technology	Fiber optic
Color	blue
Dimensions	
Dimension (L x W x H)	33.9 mm x 15.6 mm x 13.2 mm
Dimension (L x W x H)	1.335 in. x 0.614 in. x 0.52 in.
Mode type of the fiber	Singlemode
Labeling option	on housing

Connections/interfaces

Connector interfaces	SC-RJ
----------------------	-------

Electrical characteristics

Insertion loss	max. 0.5 dB
Return loss	max. 40 dB

Mechanical data

Cut-out	SC, LC-D, E2000
Mounting method	snap-in function
Insertion and withdrawal force	min. 30 N
Life - Number of mating cycles	min. 1000

Materials and material properties

Material - Sleeve	ceramic, slotted
Halogen free	yes
RoHS	compliant

P | Cabling

Data sheet

Page 3/5

OpDAT Industry SC-RJ/2SC SM adapter insert

P/N

1402K00820MI

EAN 4250184115892

2024/04/09

Version: U

Technical Data

Environmental conditions

Temperature (min. - max.)

Temperature - Storage °C	-40 °C - 70 °C
Temperature - Storage °F	-40 °F - 158 °F
Temperature - Operating °C	-40 °C - 70 °C
Temperature - Operating °F	-40 °F - 158 °F

Standards/Regulations

Generic cabling systems

Industrial area	ISO/IEC 24702 AMD 1 DIN EN 50173-3 ANSI/TIA-1005
Fibre optic connector interfaces	SC-RJ - IEC 61754-24

Classifications

ETIM 5.0	EC000752
ETIM 6.0	EC000752
ETIM 7.0	EC000752
ETIM 8.0	EC000752
ETIM 9.0	EC000752

Packing details

Type of packaging	10 pc(s) / box
Packaging unit - Weight (gram)	115 g
Packaging unit - Weight (pound)	0.25 lb
Packaging dimension	89 mm x 250 mm x 105 mm
Packaging dimension	3.504 in. x 9.843 in. x 4.134 in.

P | Cabling

Data sheet

Page 4/5

OpDAT Industry SC-RJ/2SC SM adapter insert

P/N

1402K00820MI

EAN 4250184115892

2024/04/09

Version: U

Accessories from

P/N	Designation
1401010110ME	E-DAT Industry IP67 V1 1 port metal outlet
1401010220ME	E-DAT Industry IP67 V1 2 port metal outlet
1401010620ME	E-DAT Industry IP67 V1 2 port metal surface mount housing
1401013300ME	Industry IP67 V1 metal bulkhead
1401013300ME-F5	Industry IP67 V1 metal bulkhead
1401013302KE	Industry IP67 V1 bulkhead
1401040110ME	E-DAT Industry IP67 V4 1 port metal outlet
1401040220ME	E-DAT Industry IP67 V4 2 port metal outlet
1401040620ME	E-DAT Industry IP67 V4 2 port metal surface mount housing
1401043302KE	Industry IP67 V4 bulkhead

© 2024 METZ CONNECT - Technische Änderungen vorbehalten! Subject to modifications! Sous réserve de modifications techniques!

P | Cabling

Data sheet

Page 5/5

OpDAT Industry SC-RJ/2SC SM adapter insert

P/N

1402K00820MI

EAN 4250184115892

2024/04/09

Version: U

Illustrations

Dimensional drawing

