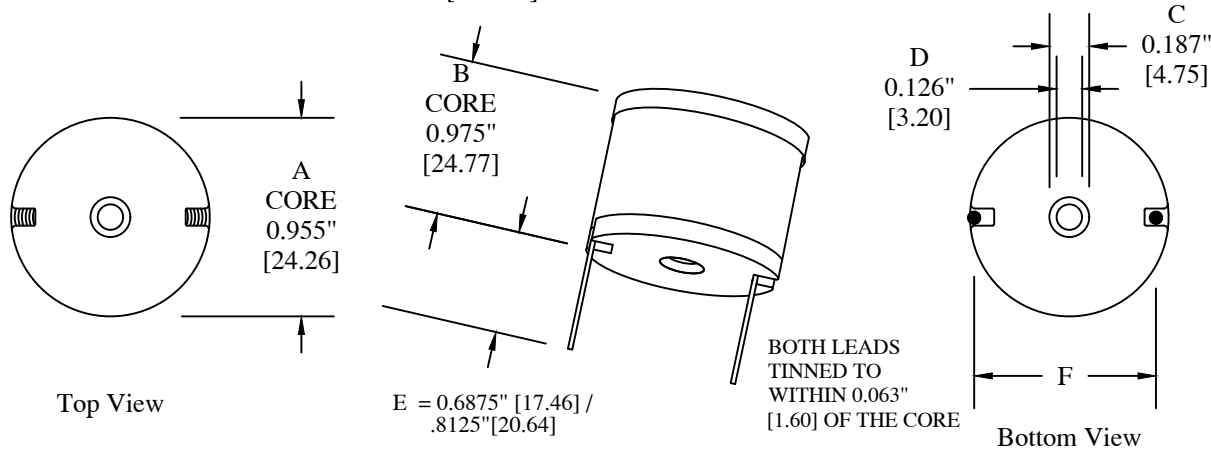


- DRUM CORE POWER INDUCTORS RATED BETWEEN 2.1A - 12AD.C. FOR SWITCHMODE POWER SUPPLIES AND OTHER APPLICATIONS.
- INDUCTANCE RANGE FROM 40 μ - 2500 μ H.
- LEADS TINNED TO WITHIN 0.063"[1.6mm] OF THE CORE.



Note: Units mount using a non-metallic #4 screw

ELECTRICAL PARAMETERS					F DIM. (CTR - CTR)
PREM P/N	MAX. DCR	INDUCTANCE	DC AMPS	LEAD SIZE	
SPB-300	0.013 Ω	40 μ H	12	14 Gauge	0.775"[19.69]
SPB-301	0.019 Ω	60 μ H	10	15 Gauge	0.775"[19.69]
SPB-302	0.022 Ω	80 μ H	10	15 Gauge	0.775"[19.69]
SPB-303	0.032 Ω	120 μ H	8.5	16 Gauge	0.775"[19.69]
SPB-304	0.038 Ω	150 μ H	8.5	16 Gauge	0.775"[19.69]
SPB-305	0.048 Ω	175 μ H	7.0	17 Gauge	0.775"[19.69]
SPB-306	0.052 Ω	200 μ H	7.0	17 Gauge	0.775"[19.69]
SPB-307	0.078 Ω	300 μ H	5.5	18 Gauge	0.775"[19.69]
SPB-308	0.094 Ω	400 μ H	5.5	18 Gauge	0.775"[19.69]
SPB-309	0.129 Ω	475 μ H	4.3	19 Gauge	0.775"[19.69]
SPB-310	0.140 Ω	550 μ H	4.3	19 Gauge	0.775"[19.69]
SPB-311	0.192 Ω	700 μ H	3.4	20 Gauge	0.775"[19.69]
SPB-312	0.212 Ω	825 μ H	3.4	20 Gauge	0.775"[19.69]
SPB-313	0.226 Ω	900 μ H	3.4	20 Gauge	0.775"[19.69]
SPB-314	0.326 Ω	1200 μ H	2.6	20 Gauge	0.940"[23.88]
SPB-315	0.374 Ω	1500 μ H	2.6	20 Gauge	0.940"[23.88]
SPB-316	0.397 Ω	1700 μ H	2.6	20 Gauge	0.940"[23.88]
SPB-317	0.509 Ω	2000 μ H	2.1	20 Gauge	0.940"[23.88]
SPB-318	0.608 Ω	2500 μ H	2.1	20 Gauge	0.940"[23.88]

SPB-300 through SPB-318

Notes

ALL DIMENSIONS ARE INCHES
[] = mm
ALL DIMENSIONS FOR REFERENCE ONLY UNLESS OTHERWISE SPECIFIED

-1 Added mm dimensions TK

PREM

MAGNETICS INCORPORATED
3521 N. CHAPEL HILL RD.
JOHNSBURG, IL 60051

PREM
PART # SPB 300
THROUGH SPB 318

Approved: TJK

Scale: NONE

Date: 08/17/2005