

Product / Process Change Notification (PCN)

- Major change
 Minor change

PCN #: PCN_ConCABLE_20240112

Affected Series: WR-CABLE- 6391xx55721

PCN Date: October 12, 2023

Effective Date: January 12, 2024

Change Category:

- Equipment / Location
 General Data
 Material
 Process
 Product Design
 Shipping / Packaging
 Supplier
 Software

Contact: Product Management

Phone: +49 (0) 7942 - 945 5001

Fax: +49 (0) 7942 - 945 5179

E-Mail: pcn.eican@we-online.com

Data Sheet Change:

- Yes No

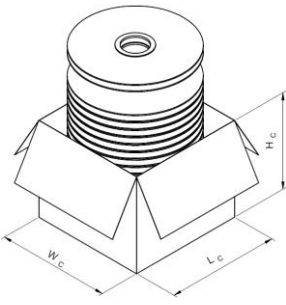
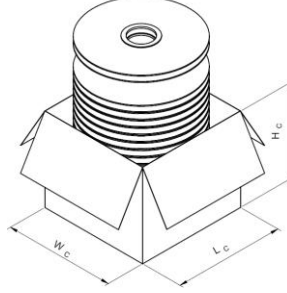
Attachment:

- Yes No

Description and purpose of change:

Due to packaging optimizations, Würth Elektronik will change dimensions of carton for CABLE series 6391xx55721. All products with date code 2023-09-28 or later, will be affected by this change. There will be no change in form, fit, function, quality or reliability of the product.

Detail of Change:

BEFORE	AFTER
 <p>Lc = 340mm Wc = 280mm Hc = 350mm</p>	 <p>Lc = 315mm Wc = 315mm Hc = 276mm</p>



Reliability / Qualification Summary:

There will be no change of the product, therefore no additional reliability or qualification testing will be performed.