



**TERMI-FOIL**

TE Internal #: 1-330716-2

Foil Terminals, Barrel, Type 2, Tin Plating, Box, 12 - 10 AWG Wire Size, 3 - 6 mm<sup>2</sup> Wire Size, 150 °C [302 °F], TERMI-FOIL

[View on TE.com >](#)

Terminals & Splices > Foil Terminals



Foil Terminal Type: **Barrel**

Foil Terminal Body Type: **Type 2**

Accepts Foil Thickness (Max): **.76 mm [ .03 in ]**

Terminal Plating Material: **Tin**

Packaging Method: **Box**

**Features**

**Body Features**

|                         |        |
|-------------------------|--------|
| Foil Terminal Body Type | Type 2 |
|-------------------------|--------|

**Contact Features**

|                           |        |
|---------------------------|--------|
| Foil Terminal Type        | Barrel |
| Terminal Plating Material | Tin    |

**Termination Features**

|                              |                |
|------------------------------|----------------|
| Accepts Foil Thickness (Max) | .76 mm[.03 in] |
|------------------------------|----------------|

**Dimensions**

|           |                       |
|-----------|-----------------------|
| Wire Size | 3 - 6 mm <sup>2</sup> |
|-----------|-----------------------|

**Usage Conditions**

|                             |                |
|-----------------------------|----------------|
| Insulation Option           | Uninsulated    |
| Operating Temperature Range | 150 °C[302 °F] |

**Packaging Features**

|                    |     |
|--------------------|-----|
| Packaging Quantity | 500 |
| Packaging Method   | Box |



## Product Compliance

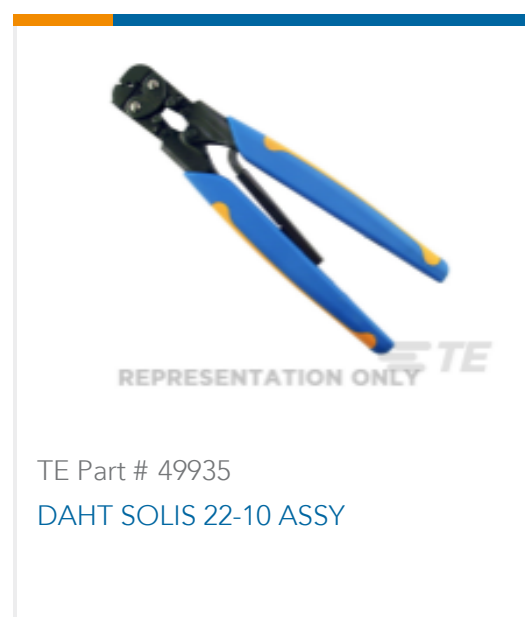
[For compliance documentation, visit the product page on TE.com>](#)

|   |   |
|---|---|
| EU RoHS Directive 2011/65/EU                  | Compliant   |
| EU ELV Directive 2000/53/EC                   | Compliant   |
| China RoHS 2 Directive MIIT Order No 32, 2016 | No Restricted Materials Above Threshold   |
| EU REACH Regulation (EC) No. 1907/2006        | Current ECHA Candidate List: JAN 2024 (240)<br>Candidate List Declared Against: JAN 2024 (240)<br>Does not contain REACH SVHC |
| Halogen Content                               | Low Halogen - Br, Cl, F, I < 900 ppm per homogenous material. Also BFR/CFR/PVC Free   |
| Solder Process Capability                     | Not applicable for solder process capability  |

### Product Compliance Disclaimer

This information is provided based on reasonable inquiry of our suppliers and represents our current actual knowledge based on the information they provided. This information is subject to change. The part numbers that TE has identified as EU RoHS compliant have a maximum concentration of 0.1% by weight in homogenous materials for lead, hexavalent chromium, mercury, PBB, PBDE, DBP, BBP, DEHP, DIBP, and 0.01% for cadmium, or qualify for an exemption to these limits as defined in the Annexes of Directive 2011/65/EU (RoHS2). Finished electrical and electronic equipment products will be CE marked as required by Directive 2011/65/EU. Components may not be CE marked. Additionally, the part numbers that TE has identified as EU ELV compliant have a maximum concentration of 0.1% by weight in homogenous materials for lead, hexavalent chromium, and mercury, and 0.01% for cadmium, or qualify for an exemption to these limits as defined in the Annexes of Directive 2000/53/EC (ELV). Regarding the REACH Regulation, the information TE provides on SVHC in articles for this part number is based on the latest European Chemicals Agency (ECHA) 'Guidance on requirements for substances in articles' posted at this URL: <https://echa.europa.eu/guidance-documents/guidance-on-reach>

## Compatible Parts

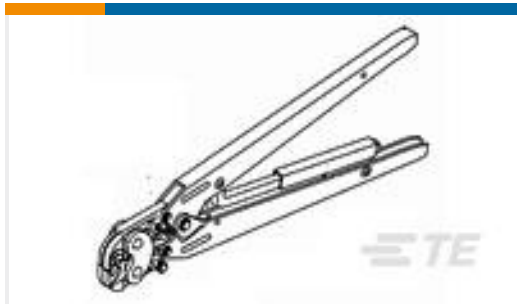
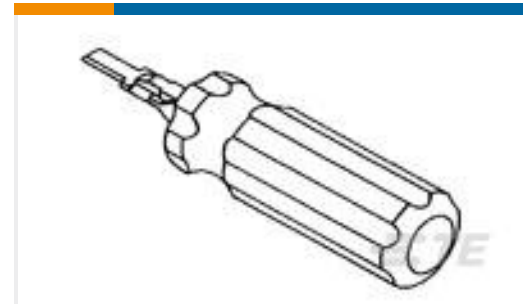
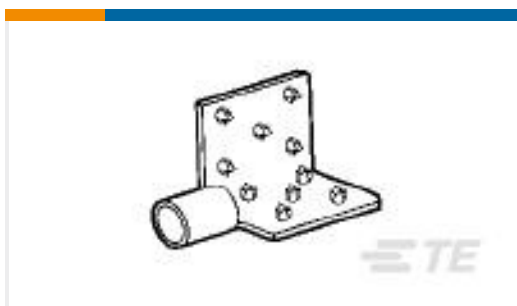


Also in the Series | **TERMI-FOIL**



Foil Terminals(23)

## Customers Also Bought

TE Part # 68026  
DAHT TERMI-FOIL ASSYTE Part # 1804030-1  
EXTRACTION TOOL ASSYTE Part # 7-1393117-8  
KUP-14A15-120=KU-TE Part # 329254  
TERMINAL,TERMI-FOIL 12-10TE Part # 330005  
TERMINAL,TERMI-FOIL 12-10

## Documents

### Product Drawings

[TERMINAL,TERMI-FOIL 12-10](#)

English

### CAD Files

[3D PDF](#)

English

Customer View Model

[ENG\\_CVM\\_1-330716-2\\_G.3d\\_igs.zip](#)

English

Customer View Model

[ENG\\_CVM\\_1-330716-2\\_G.3d\\_stp.zip](#)

English

Customer View Model

[ENG\\_CVM\\_1-330716-2\\_G.2d\\_dxf.zip](#)

English

[3D PDF](#)



3D

Customer View Model

[ENG\\_CVM\\_CVM\\_1-330716-2\\_AA.2d\\_dxf.zip](#)

English

Customer View Model

[ENG\\_CVM\\_CVM\\_1-330716-2\\_AA.3d\\_igs.zip](#)

English

Customer View Model

[ENG\\_CVM\\_CVM\\_1-330716-2\\_AA.3d\\_stp.zip](#)

English

By downloading the CAD file I accept and agree to the [Terms and Conditions](#) of use.

### Datasheets & Catalog Pages

[RADIATION\\_RESISTANT\\_PRE-INSULATED\\_TERMINALS\\_SPLICES](#)

English