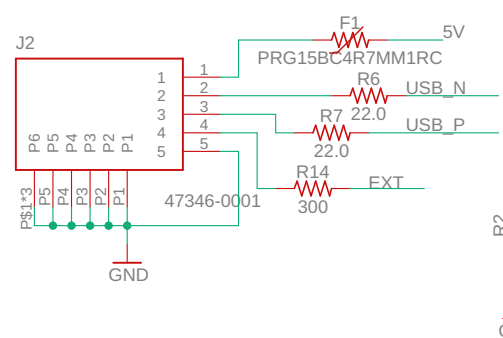
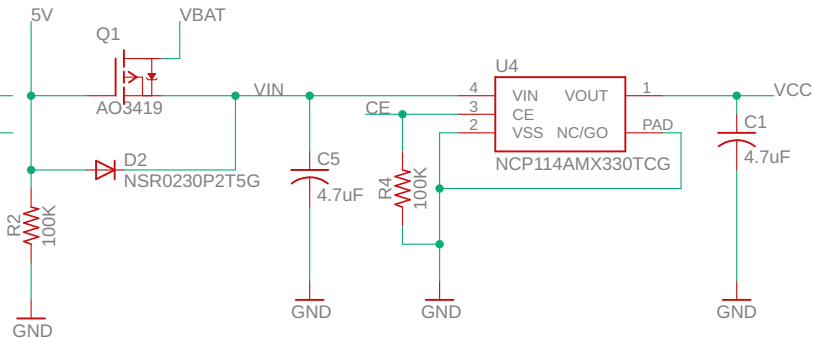


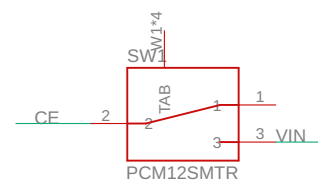
USB Connector



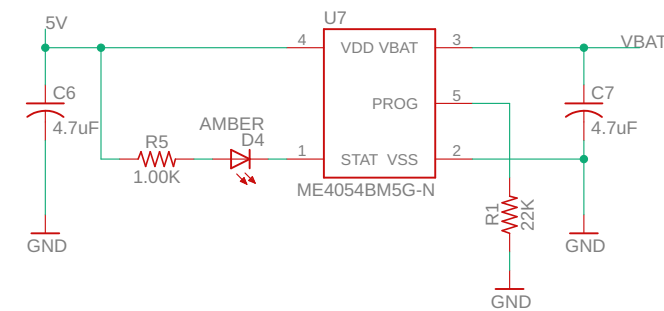
Power Switching and LDO



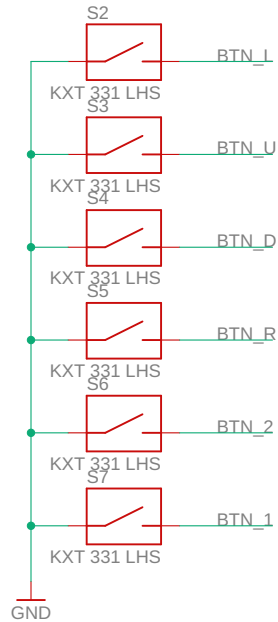
Power Switch



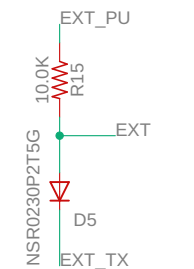
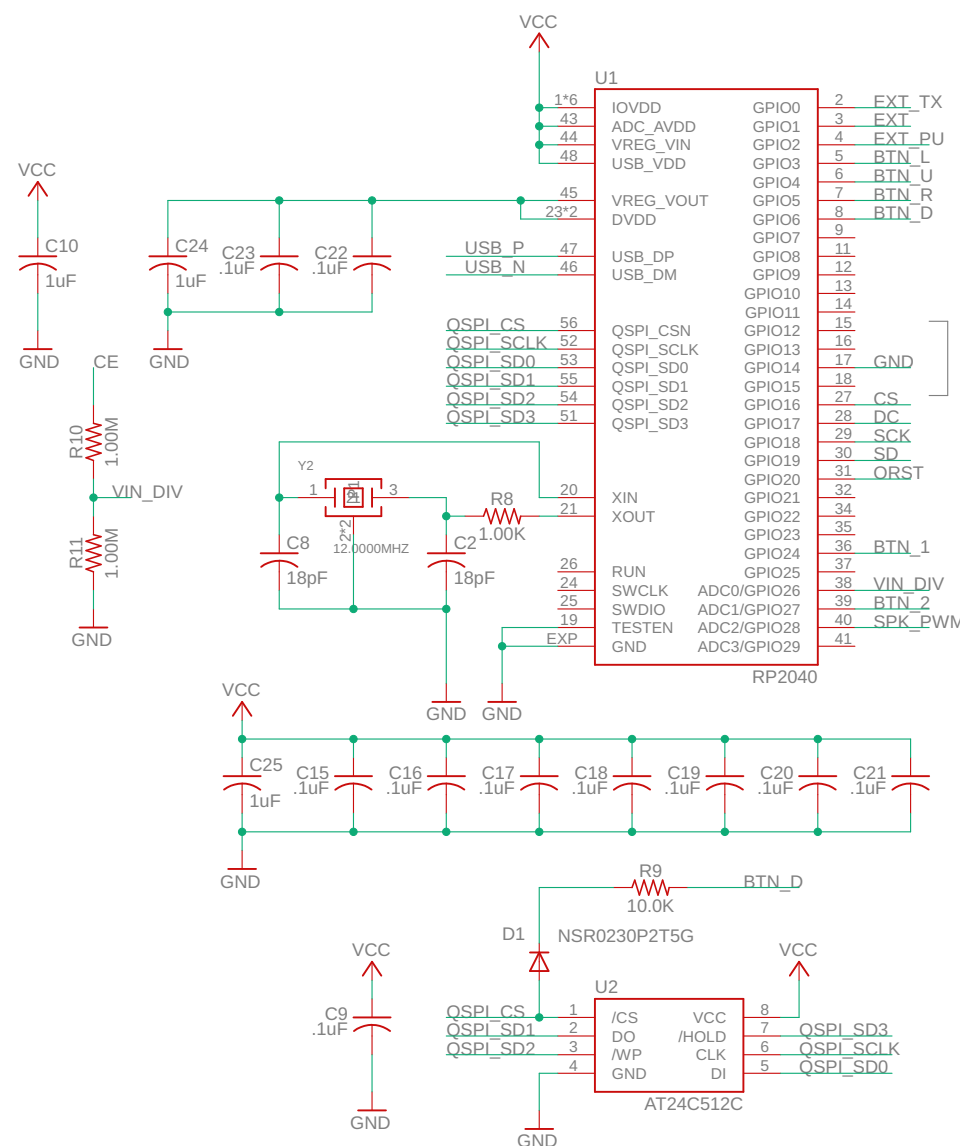
Lithium Charger



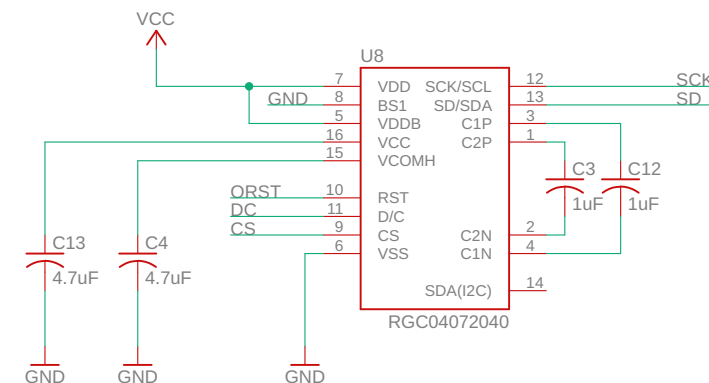
Input



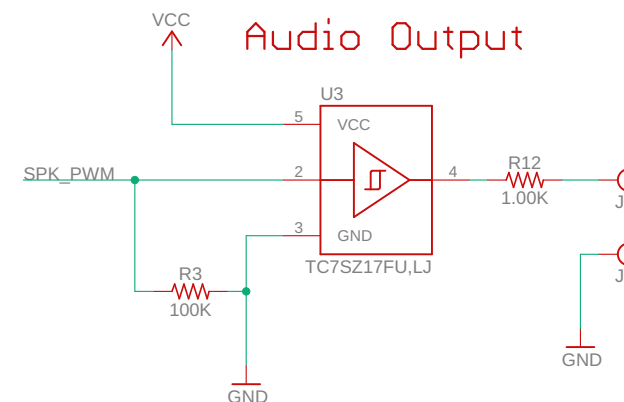
RP2040



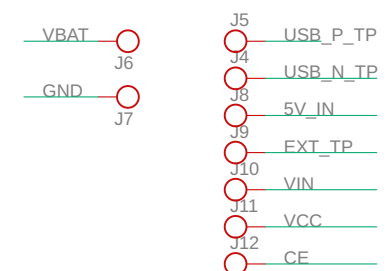
72x40 OLED



Audio Output



PTH and Test Points



Variant: Standard
 Non Populated: -
 Hand Populated: -
 Hand Soldered: U8
 Notes: -

TINYCIRCUITS <http://www.TinyCircuits.com>

TITLE: Thumby

Document Number: AS-SCH-ASM4008 REV: 6

Date: 4/3/2022 4:58 PM Sheet: 1/2