

# 2U RACK HANDLE KIT LOW OUT-GASSING

## SPECIFICATIONS:

### HANDLES

DESCRIPTION: EIA-310 compliant 2U rack handles with captive screws to secure enclosure to rack

MATERIAL: Sabic Noryl SE1X-701 (PPE+HIPS) black polymer

RATED STRENGTH: 100lbs per handle, straight pull

FLAMMABILITY: NEBS compliant UL94 V-0/V-1, IEC 60335-1, non-brominated, non-chlorinated flame retardancy

UV RESISTANCE: UL 746C F1

OUT-GASSING: ASTM E595-15; TML 0.43, CVCM 0.06

### CAPTIVE SCREWS

DESCRIPTION: ANSI #10-32 captive phillips pan head

MATERIAL: 18-8 stainless steel

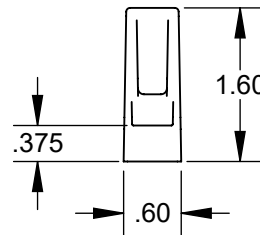
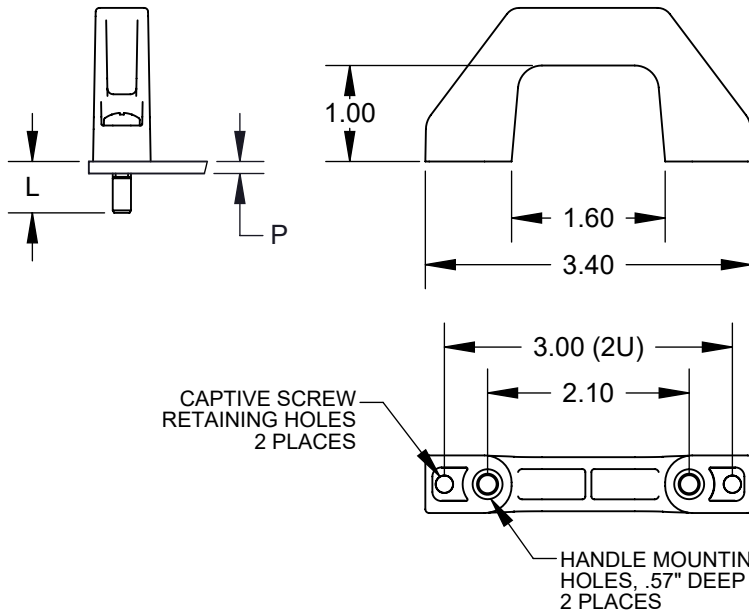
### MOUNTING SCREWS

DESCRIPTION: #10-14x5/8" flat head plastite thread forming

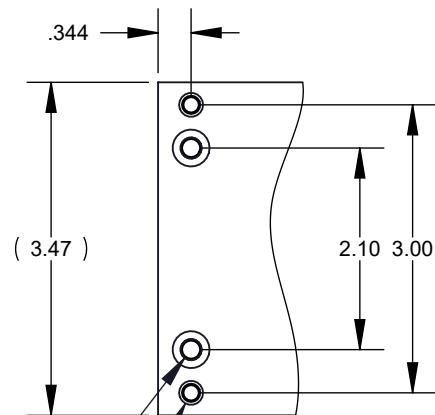
MATERIAL: 18-8 stainless steel

### SCOPE OF SUPPLY

The kit part number includes 2 handles, 4 mounting screws and 4 captive screws packaged with mounting instructions. Individual handles are wiped with an IPA solution, dried, and sealed in a polyethylene bag.



DIMENSIONS  
IN INCHES  
TOLS:  $\pm .01$



KIT PART NUMBERS			
PANEL THICKNESS "p"	SCREW STYLE	"L"	PART NO.
.059-.090"	PHIL PN HD	.435"	3012-059
.100-.134"	PHIL PN HD	.485"	3012-100
.160-.190"	PHIL PN HD	.535"	3012-160
.375 $\pm$ .015"	PHIL PN HD	.750"	3012-375

Part numbers shown ensure complete screw engagement with tapped or cage-nut style rack rails. For dedicated tapped rail applications a shorter screw may be used. Example: 3012-059 will work with a .125" panel and tapped rails.

2X  $\phi$  .221 THRU  
 $\surd$   $\phi$  .39 X 82°  
( $\sqsubset$   $\phi$  .39  $\nabla$  .13 ON .375" PANEL)

2X  $\phi$  .25 THRU

RECOMMENDED  
MOUNTING HOLES  
REAR SIDE OF 2U PANEL  
TOLS:  $\pm .005$

**PITON**  
engineering